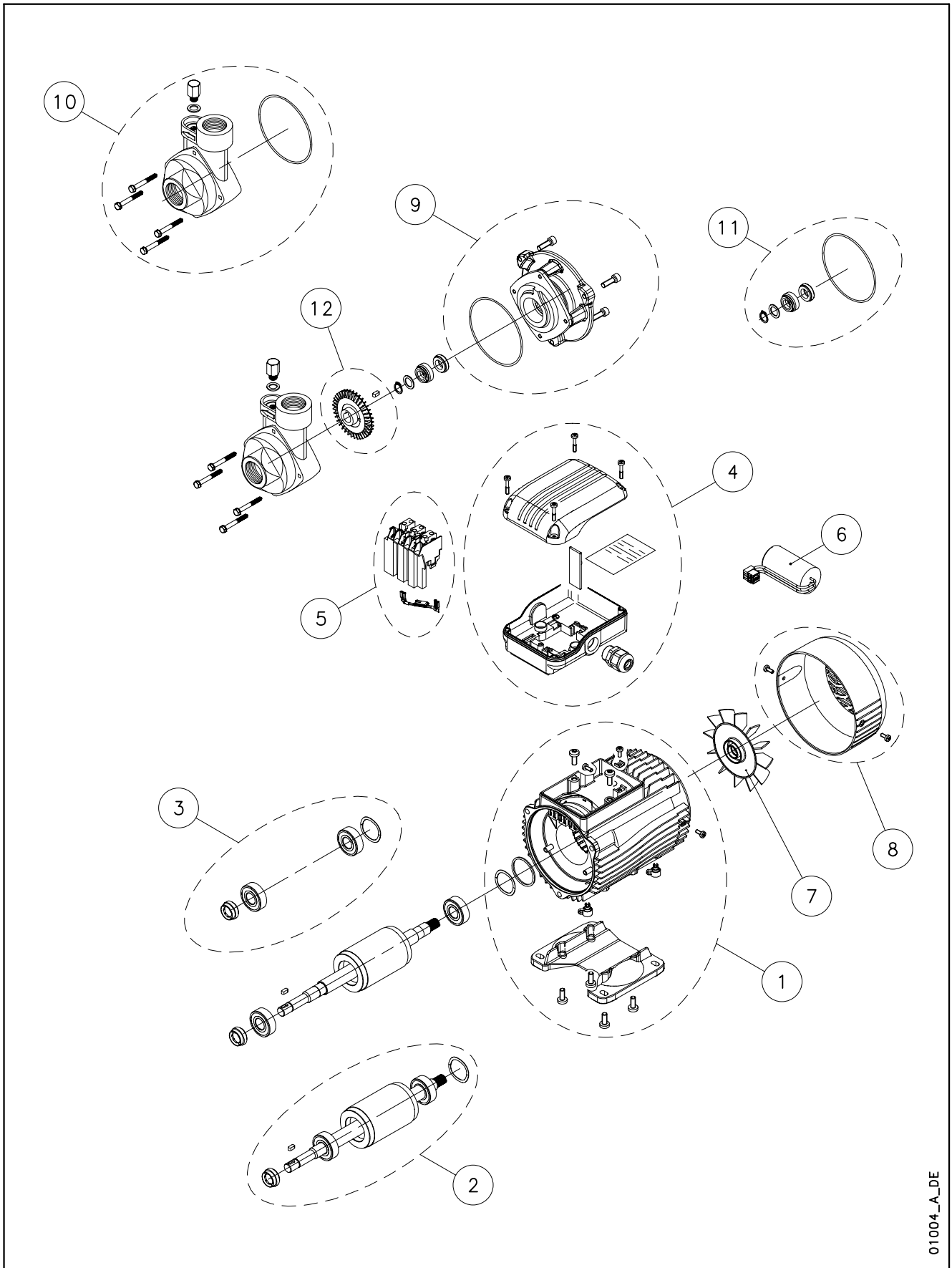


P (PK) 30 - 40 - 60 - 70



01004_A_DE

Lowara is a trademark of Xylem Inc. or one of its subsidiaries.

N.	Descrizione – Description - Description – Beschreibung – Descripción – Descrição
1	Cassa motore con statore – Motor casing and stator – Casse moteur avec stator – Motorgehaeuse mit stator – Caja motor con estator – Carcada do motor com estator
2	Albero rotore + cuscinetti – Rotor shaft + bearings – Rotor arbre + roulements – Rotor mit welle + lagern – Rotor arbol + cojinetes – Rotor veio + rolamentos
* 3	Cuscinetti – Bearings – Roulements – Lagern – Cojinetes – Rolamentos
4	Scatola morsettiera – Terminal box board – Boite a bornes – Klemmkastenbrette – Caja tablero de bornes – Caixa quadro de grampo
5	Morsettiera (Plug-in) – Terminal block (Plug in) – Bornier enfichable (Plug in) – Steck-Klemmkasten (Plug in) – Place de bornes (Plug in) – Grampo (Plug in)
6	Condensatore – Capacitor – Condensateur – Kondensator – Condensador – Condensador
7	Ventola – Fan – Ventilateur - Ventilator – Ventilador – Ventoiinha
8	Copriventola – Fan cover – Protection ventilateur – Ventilatorabdeckung – Proteccion ventilador – Proteccao de ventoiinha
9	Supporto motore/pompa + OR – Motor/pump bracket + O ring – Support moteur/pompe + joint torique – Motor/Pumpen Halterung + O-Ring – Soporte de motor/bomba + torico - Suporte do motor/bomba + O-Ring
10	Corpo pompa + OR – Pump body + O ring – Corps de pompe + joint torique – Pumpengehäuse + O-Ring – Caja bomba + tórico – Corpo da bomba + O ring
* 11	Kit tenuta meccanica e guarnizioni OR – Mechanical seal and O ring kit – Kit Garniture d'étanchéité mécanique au joints toriques – Dichtungssatz und O-Ring – Kit retén mecánico y empaquetaduras aro tórico – Vedante mecânico e Kit Oring
12	Girante e linguetta – Impeller et key – Turbine et clavette – Laufrad und passfeder– Rueda de álabes y lengueta – Impulsor e lingueta

* Parti di ricambio consigliate – Recommended spare parts – Pièces de rechange conseillées– Empfohlene Ersatzteile – Piezas de repuesto aconsejadas – Peças de reposição aconselhadas

PM30/B - PM40/B

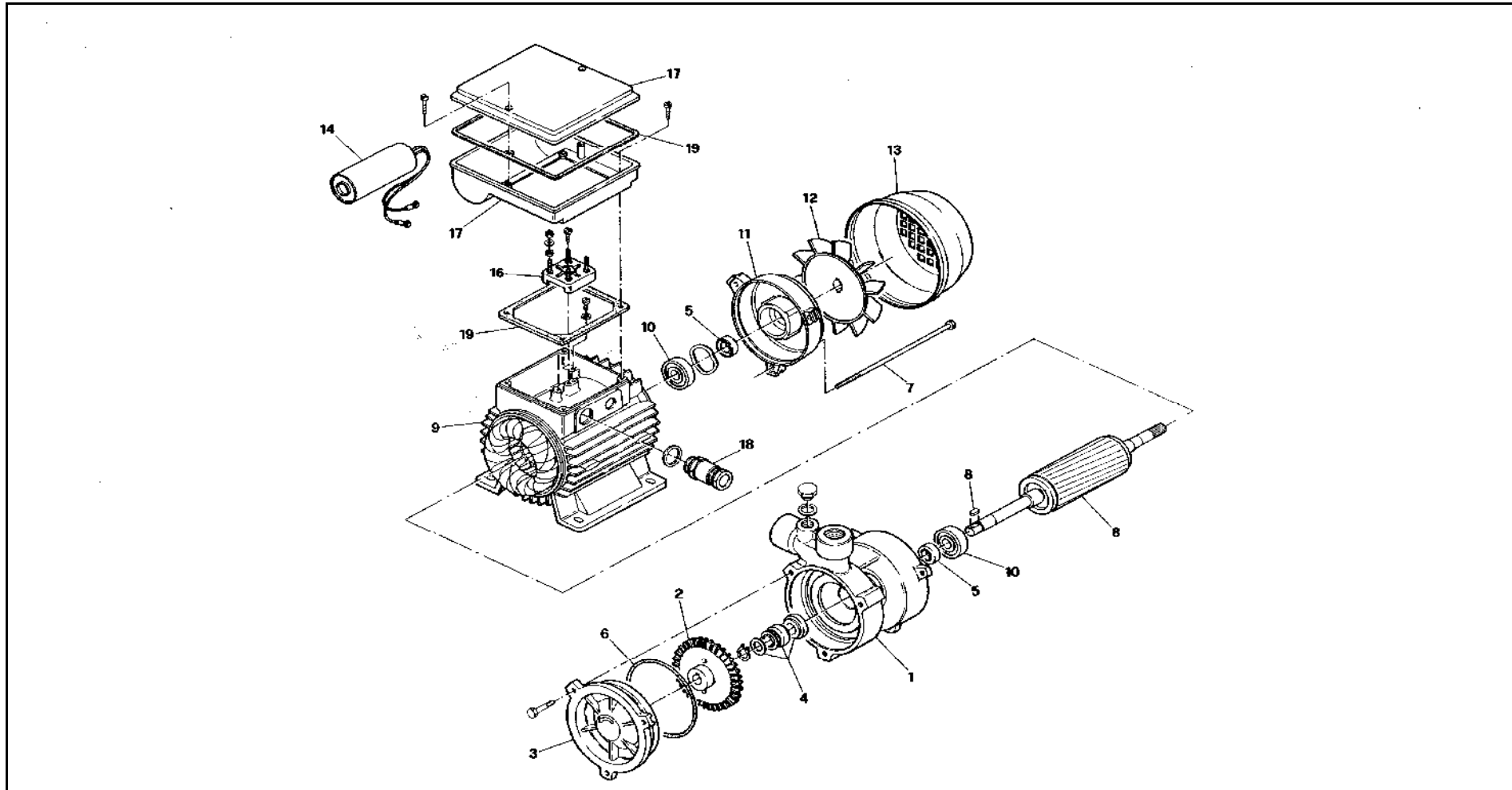
P30/B - P40/C

KIT	DESCRIZIONE DESCRIPTION	MODELLO POMPA - PUMP-MODEL				
		PM30/B	P30/B		PM40/B	P40/C
		107490530	107490580		107490540	104410040
		0.55 kW	0.55 kW		0.75 kW	0.75 kW
	SM		SM	SM IE2		
1	CASSA MOTORE MOTOR CASING	KR7491000	KR7491010		KR7491020	KL25AC6
2	ALBERO-ROTORE-CUSCINETTI SHAFT-ROTOR-BEARINGS	KR7491040	KR7491060		KR7491050	KL09ABU
* 3	CUSCINETTI BEARINGS	KR7491080	KR7491080		KR7491080	KL11AAC
4	SCATOLA MORSETTIERA TERMINAL BOX	KR7491090	KR7491100		KR7491090	KR7491100
5	MORSETTIERA PLUG IN PLUG IN BLOCK	KR7491120	KR7491110		KR7491130	KR7491110
6	CONDENSATORE CAPACITOR	KR7491140	-		KR7491150	-
7	VENTOLA FAN	140760150	140760150		140760150	140760160
8	COPRIVENTOLA FAN COVER	KR7491170	KR7491170		KR7491170	KL29AAE
9	SUPPORTO MOTORE/ POMPA + OR MOTOR/PUMP BRACKET + OR	KR7491180	KR7491180		KR7491190	KL16AAQ
10	CORPO POMPA + OR PUMP BODY + OR	KR7491220	KR7491220		KR7491230	KR7491230
* 11	KIT TENUTA + OR BVPFF SEAL + OR	KR7491260	KR7491260		KR7491270	KR7491270
	KIT TENUTA + OR BVVFF SEAL + OR	KL01AEE	KL01AEE		KL01AEF	KL01AEF
	KIT TENUTA + OR U3U3VFF SEAL + OR	KL01AEG	KL01AEG		KL01AEH	KL01AEH
12	GIRANTE IMPELLER	KR7491300	KR7491300		KR7491310	KR7491310

* RICAMBI RACCOMANDATI

* RECOMMENDED SPARE PARTS

xylem



ITEM N.	DESCRIZIONE	DESCRIPTION	Q.TA' Q.TY	CODICE - CODE	
				PSA70/A	PSAM70/A
				107490020	107490000
				0,55 kW	0.55 kW
1	Corpo pompa con disco diffusore	Pump body with diffuser disc	1	151350430	
	Tappo	Plug	2	168420010	
	Rondella	Washer	2	168330000	
* 2	Girante	Impeller	1	160720280	
3	Coperchio corpo pompa	Cover pump body	1	164020110	
* 4	Ten. Mecc. - Parte rotante	Mechanical Seal - Impeller part	1	002225306	
	Ten. Mecc. - Parte fissa	Mechanical Seal - Fixed part	1	002226003	
	Rondella spallamento tenuta	Seal shoulder washer	1	168300340	
5	Anello di tenuta	Seal ring	2		
6	OR	OR	1	002221156	
7	Tirante	Tie rod	3		
8	Albero - rotore - cuscinetti	Shaft - rotor - bearings	1	155106830	
	Linguetta	Key	1	002650319	
9	Cassa motore con statore	Motor case with stator	1	KR0100501	KR0100401
* 10	Cuscinetti	Bearings	2	002312702	
11	Coperchio motore	Motor cover	1		
12	Ventola	Fan	1	140760150	
13	Copriventola	Fan cover	1	164260800	
14	Condensatore	Capacitor	1	-	150990430
16	Connettore "Plug in"	"Plug in" element	1	158160280	158160640
17	Coprimorsettiera	Terminal box cover	1	154060270	
	Scatola morsettiera	Terminal box	1	151360200	
18	Pressacavo	Cable gland	1		
19	Guarnizione morsettiera	Terminal box gasket	1		

* Parti di ricambio consigliate - Recommended spare parts