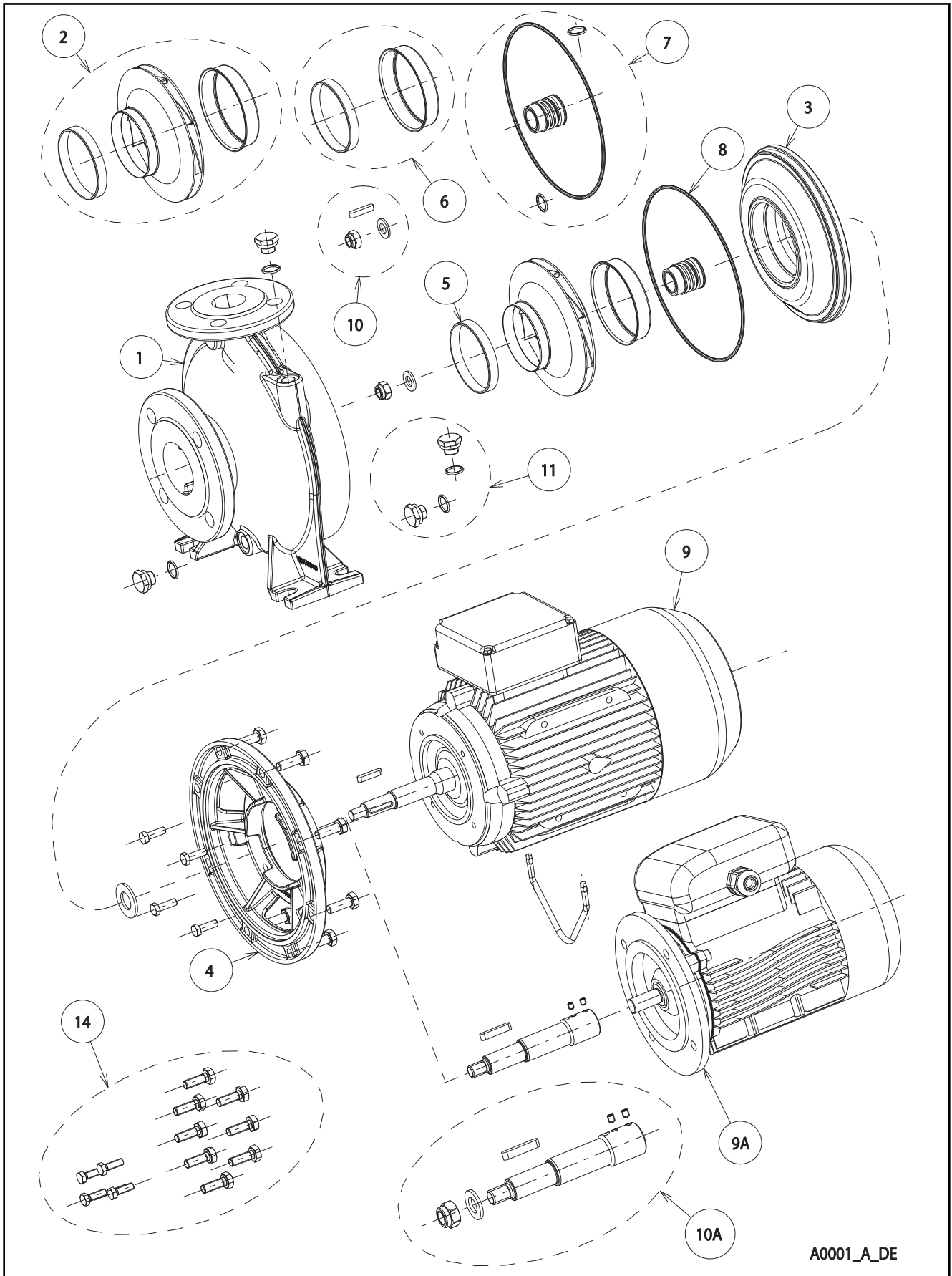


NSCE ELP

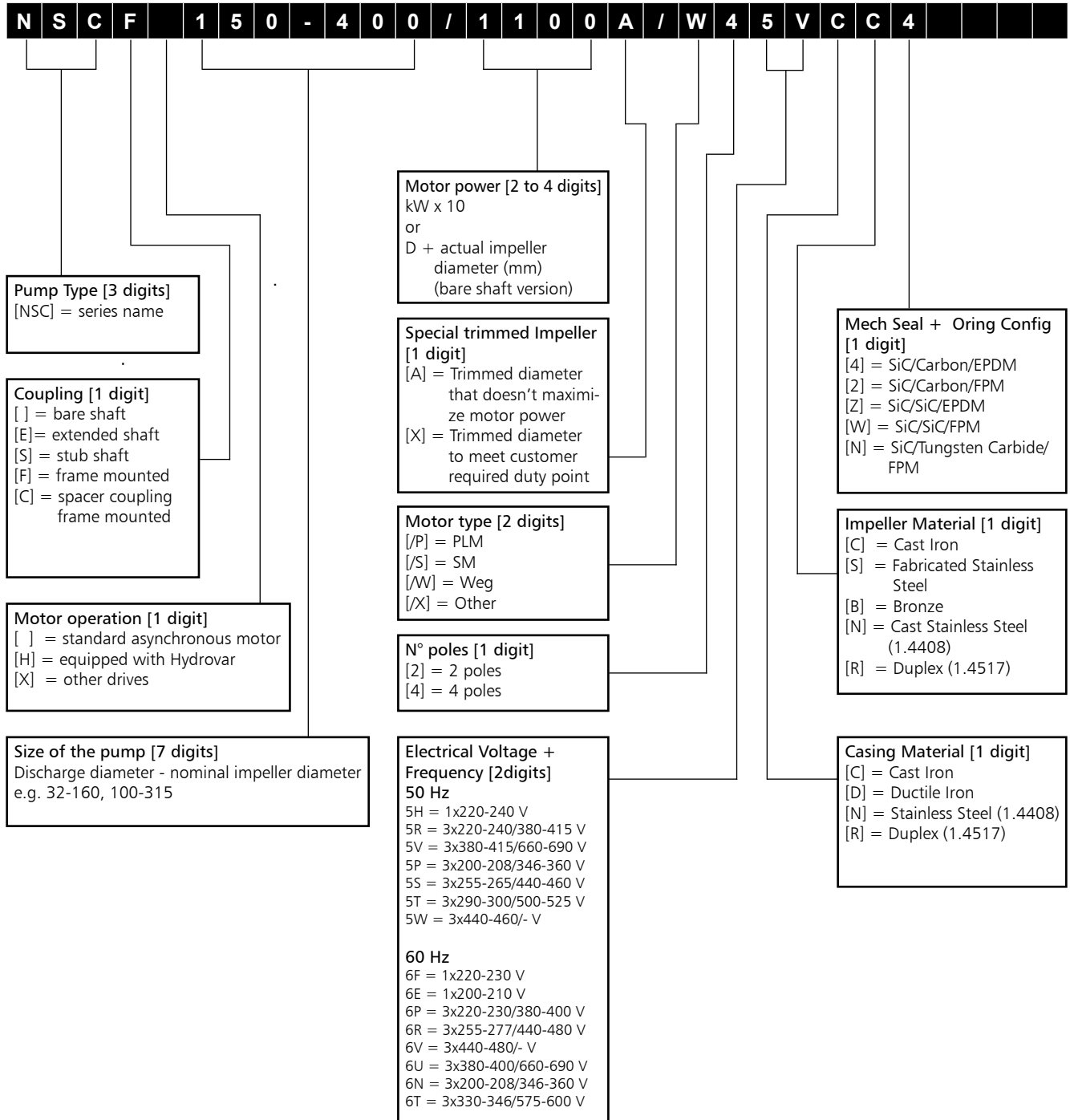


A0001_A_DE

Xylem and Lowara are trademarks of Xylem Inc. or one of its subsidiaries.
Goulds is a registered trademark of Goulds Pumps, Inc and is used under license.

N.	Descrizione it	Description en	Description fr	Beschreibung de	Descripción es	Descrição pt
1	Corpo pompa con anello usura	Casing with wear ring	Corps de pompe avec anneau d'usure	Pumpengehäuse mit Ausgleichsring	Caja bomba con anillo de desgaste	Corpo da bomba com anel de desgaste
2	Girante e anelli di usura	Impeller and wear rings	Roue et anneaux d'usure	Laufrad und Verschleißbringe	Rodete y anillos de desgaste	Impulsor e anéis de desgaste
3	Disco portatenuta (con anello di usura)	Seal housing disc (with wear ring)	Disque d'étanchéité (avec anneau d'usure)	Dichtungsscheibe (mit Verschleißbringe)	Disco de alojamiento retén (con anillo de desgaste)	Disco porta-vedante (com anel de desgaste)
4	Lanterna	Pump bracket	Support de la pompe	Pumpenhalter	Soporte de bomba	Suporte da bomba
5	Anello di usura	Wear ring	Anneau d'usure	Verschleißbringe	Espesor	Casquilha
6	Kit anelli di usura	Kit wear rings	Kit anneaux d'usure	Verschleißbringe [Satz]	Kit anillos de desgaste	Kit anéis de desgaste
7	Tenuta meccanica e guarnizione OR	Mechanical seal and O-Ring	Garniture mécanique et joint torique	Gleitringdichtung und O-Ring	Retén mecánico y aro tórico	Vedante mecânico e vedação OR
8	Guarnizione OR	O-Ring	Joint torique	O-Ring	Aro tórico	Vedação OR
9	Motore completo	Complete motor	Moteur complet	Kompletter Motor	Motor completo	Motor complete
9A	Motore completo (4 poli grand. 71)	Complete motor (4-poles size 71)	Moteur complet (4 pôles taille 71)	Kompletter Motor (4polig Größe 71)	Motor completo (4 polos tamaño 71)	Motor complete (4 pólos grandeza 71)
10	Kit dado girante e linguetta	Kit impeller nut and key	Kit ecrou de roue et clavette	Lauftrad Mutter und Passfeder [Satz]	Kit tuerca y lengüeta de rodete	Kit porca e lingueta do impulsor
10A	Giunto con dado girante (4 poli grand. 71)	Coupling with impeller nut (4-poles size 71)	Manchon avec ecrou de roue (4 pôles taille 71)	Kupplung mit Laufrad Satz (4polig Größe 71)	Junta con tuerca de rodete (4 polos tamaño 71)	Junta com porca do impulsor (4 pólos grandeza 71)
11	Kit tappi	Plug kit	Kit bouchons	Verschlusschrauben-Kit	Kit tapones	Kit tampões
14	Kit Viterie	Screws kit	Kit Visserie	Bausatz Schrauben	Kit tornillos	Kit parafusos
N.	Beschrijving nl	Περιγραφή el	Açıklama tr	Kuvaus fi	Описание ru	Opis pl
1	Pomphuis met slijtring	Σώμα αντλίας και δακτύλιος τριβής	Pompa göndesi ve aşınma halkası	Pumpun runko kulumisrenkaalla	корпус насоса (с изнашиваемым кольцом)	Korpus pompy (z wymiennym pierścieniem)
2	Waaier en slijtringen	Φτερωτή και δακτύλιοι τριβής	Pompa rotoru ve aşınma halkaları	Juoksuyöjä ja kulumisrenkaat	Рабочее колесо и изнашиваемые кольца	Wirnik i pierścienie wymienne
3	Dichtingssteunplaat (met slijtring)	Δίσκος μηχανικού στυπιοθλιπτή (και δακτύλιος τριβής)	Sızdırmazlık disk (aşınma halkası ile)	Tiivisteen kannatuslevy (kulumisrenkaalla)	Диск держателя прокладки (с изнашиваемым кольцом)	Tarcza uszczelki (z wymiennym pierścieniem)
4	Pomp houder	Κάτοχος της αντλίας	Pompa tutucusu	Pumpun kiinnitin	держатель насос	Posiadaczem pompy
5	Schraapring	Δακτύλιος τριβής	Aşınma halkası	Kulumisrenkaan	утолщающая прокладка	Wymiennym pierścieniem
6	Set Slijtringen	Σετ δακτύλιοι τριβής	Aşınma halkaları kiti	Kulumisrenkaiden sarja	изнашиваемые кольца тяг	Zestaw pierścieni wymiennych
7	Mechanische asafdichting en O-ringafdichting	Μηχανικός στυπιοθλιπτής και ροδέλες στεγανοποίησης	Mekanik conta ve O-Ring	Mekaaninen tiiviste ja O-rengas	Механическая прокладка и уплотнение OR	Uszczelnienie mechaniczne i uszczelka O-Ring
8	O-ringafdichting	Ροδέλα στεγανοποίησης	O-Ring	O-rengas	Прокладка OR	Uszczelka O-Ring
9	Complete motor	Πλήρης κινητήρας	Komple motor	Täydellinen moottori	Укомплектованный двигатель	Kompletny silnik
9A	Complete motor (4-polig grootte 71)	Πλήρης κινητήρας (4-πόλων μέγεθος 71)	Komple motor (4 kutuplu; boyu: 71)	Täydellinen moottori (4 napaa, koko 71)	Укомплектованный двигатель (4 полюса величина 71)	Kompletny silnik (4 bieguny wielkość 71)
10	Set waaier moer en spie	Σετ Περικοχλίου της φτερωτής με κλειδί	Pompa rotorunu takımı somun ve tuşu	Juoksuyöjän sarja (mutteri ja lukko)	КОМПЛЕКТ Рабочее колесо гайка и шпонка	Zestaw wirnika nakrętka i wpust
10A	Koppeling met waaier moer (4-polig grootte 71)	Σετ σύζευξη με το παξιμάδι της φτερωτής (4-πόλων μέγεθος 71)	Takımı kaplin pompa rotorunu somun ve tuşu (4 kutuplu; boyu: 71)	Kytöksen kanssa juoksuyöjän mutteri sarja (4 napaa, koko 71)	КОМПЛЕКТ сцепление с рабочим колесом гайка	Zestaw nakrętka wirnik sprzężenia (4 bieguny wielkość 71)
11	Stoppenset	Σετ ταπών	Tapa kiti	Tulppasarja	Набор пробок	Zestaw zatyczek
14	Kit met schroeven	Σετ βιδών	Vida kiti	Ruuvisarja	КОМПЛЕКТ винтов	Zestaw wkrętów

e-NSC SERIES IDENTIFICATION CODE



EXAMPLES

NSCS 100-250/900/W25RCC4

End-suction, electric pump with stub shaft coupling, DN 100 nominal discharge port, 250 mm nominal impeller diameter, 90 kW rated motor power, WEG IE3 model, 2-pole, 50 Hz 220-240/380-415 V, cast iron casing, cast iron impeller, Silicon carbide/Carbon/EPDM mechanical seal.

Production date > Feb 2015

NSCE 32/.25.CS4

220-240/1/50 digit H
 230-400/3/50 up to 3 kW digit R
 400-690/3/50 since 4 kW digit V

NSCE		32-125/11/S	32-125/15/S	32-125/22/P	32-125/30/P	32-160/22/P	32-160/30/P	32-160/40/P	32-160/55/P	32-200/30/P	32-200/40/P
ELP 1 ~, 2P		101840900	101840910	101840920	-	101840940					
ELP 3 ~, 2P		101840000	101840010	101840020	101840030	101840050	101840060	101840070	101840080	101840100	101840110
kW ->		1,1	1,5	2,2	3,0	2,2	3,0	4,0	5,5	3,0	4,0
		32-200/55/P	32-200/75/P	32-250/75/P	32-250/92/P	32-250/110/P	32-250/150/P				
kW ->		5,5	7,5	7,5	9,2	11,0	15,0				

Kit

2*	Impeller A316	KL04AL7	KL04AL8	KL04AL9	KL04AMA	KL04AMB	KL04AMC	KL04AMD	KL04AME	KL04AMF	KL04AMG
		KL04AMH	KL04AMK	KL04AML	KL04AMM	KL04AMN	KL04AMP				
5	Wear ring, front	168602370	168602370	168602370	168602370	168602370	168602370	168602370	168602370	168602370	168602370
		168602370	168602370								
6	Wear rings kit			KL03ACQ	KL03ACQ	KL03ACQ	KL03ACQ				
7*	Material-->	BQ1EGG	Q1Q1EGG	U3AEGG	BQ1VGG	Q1Q1VGG	U3AVGG	STD -> Mech BQ1EGG - OR EPDM			
	Mech. Seal D22 kit	KL01AF1	KL01AF2	KL01AGL	KL01AF4	KL01AF5	KL01AGM	32-125 ->200			
	Mech. Seal D28 kit	KL01AF7	KL01AF8	KL01AGN	KL01AGA	KL01AGB	KL01AGP	32-250			
8*	OR Kit EPDM	KL02AAH	All Versions incl. 3 Dia - OR								
	OR Kit FPM	KL02AAK									
10	Imp. lock kit M12	KL39AAA					32-125->200				
	Imp. lock kit M16	KL39AAB					32-250				
10A	Coupling D:18	KL10AAG					4P->160/03				
11	Plug kit EPDM	KL34AA8									
	Plug kit FPM	KL34AA9									
14	Screws kit	N/A									

Single Unit

1	Casing+wear ring	151351350	151351350	151351350	151351350	151351390	151351390	151351390	151351390	151351430	151351430
		151351430	151351430	151351470	151351470	151351470	151351470				
3	Seal-housing disc	160150200	160150200	160150200	160150200	160150200	160150200	160150200	160150200	160150220	160150220
		160150220	160150220	150150090	150150090	150150090	150150090				
4	Pump bracket	161430511	161430511	161430511	161430511	161430511	161430511	161430521	161430521	161453131	161453141
		161453141	161453151	161452881	161452881	161452881	161452841				
9**	Motor 1~, 2P	107230260	107230270	50004HH00XA		50004HH00XA					
		SM90R	SM90R	PLM90		PLM90					
	Motor 3~, 2P	107234050	107234060	50A01RN00	50A02RH00	50A01RN00	50A02RH00	50A08VN00	50A13VH00	50A02RH00	50A08VN00
		50A13VH00	50A17VH00	50A17VP00	50A18VP00	50A19VP00	50A24VR00				
		SM90R	SM90R	PLM90	PLM90	PLM90	PLM90	PLM112R	PLM112	PLM90	PLM112R
		PLM112	PLM132	PLM132	PLM132	PLM132	PLM160				
	Motor Support	161409750	161409750	161441100	161441100	161441110	161441110	161441140	161441220	161441120	161441150
		161441160	161441190	161441200	161441200	161441200	NO				

* Recommended spare parts - Parti di ricambio consigliate

* Pièces détachées conseillées - Empfohlene Ersatzteile

** Motor spare parts: see motor lists - Parti di ricambio motore: vedi liste motore

** Pièces détachées Moteur : voir listes moteur - Motor-Ersatzteile: gem. Motorlisten

NSCE_32-80_5_Feb15_Eda

Production date > Feb 2015

NSCE 40/.25.CS4

220-240/1/50 digit H
230-400/3/50 up to 3 kW digit R
400-690/3/50 since 4 kW digit V

NSCE		40-125/15/S	40-125/22/P	40-125/30/P	40-125/40/P	40-160/30/P	40-160/40/P	40-160/55/P	40-160/75/P	40-200/55/P	40-200/75/P
ELP 1 ~, 2P		101840960	101840970								
ELP 3 ~, 2P		101840200	101840210	101840220	101840230	101840250	101840260	101840270	101840280	101840300	101840310
	kW ->	1,5	2,2	3,0	4,0	3,0	4,0	5,5	7,5	5,5	7,5
		40-200/92/P	40-200/110/P	40-250/92/P	40-250/110/P	40-250/150/P	40-250/185/P	40-250/220/P			
	kW ->	101840320	101840330	101840350	101840360	101840370	101840380	101840390			
		9,2	11,0	9,2	11,0	15,0	18,5	22,0			

Kit

2*	Impeller A316	KL04AMQ	KL04AMR	KL04AMS	KL04AMT	KL04AMU	KL04AMV	KL04AMW	KL04AMX	KL04AMY	KL04AMZ
		KL04AM0	KL04AM1	KL04AM2	KL04AM3	KL04AM4	KL04AM5	KL04AM6			
5	Wear ring, front	168602380	168602380	168602380	168602380						
6	Wear rings kit					KL03ACQ	KL03ACQ	KL03ACQ	KL03ACQ	KL03ACQ	KL03ACQ
		KL03ACQ	KL03ACQ	KL03ACQ	KL03ACQ	KL03ACQ	KL03ACQ	KL03ACQ			
7*	Material->	BQ1EGG	Q1Q1EGG	U3AEGG	BQ1VGG	Q1Q1VGG	U3AVGG	STD -> Mech BQ1EGG - OR EPDM			
	Mech. Seal D22 kit	KL01AF1	KL01AF2	KL01AGL	KL01AF4	KL01AF5	KL01AGM	40-125 ->200			
	Mech. Seal D28 kit	KL01AF7	KL01AF8	KL01AGN	KL01AGA	KL01AGB	KL01AGP	40-250			
8*	OR Kit EPDM	KL02AAH	All Versions incl. 3 Dia - OR								
	OR Kit FPM	KL02AAK									
10	Imp. lock kit M12	KL39AAA	40-125->200								
	Imp. lock kit M16	KL39AAB	40-250								
10A	Coupling D:18	KL10AAG	4P->160/03								
11	Plug kit EPDM	KL34AA8									
	Plug kit FPM	KL34AA9									
14	Screws kit	N/A									

Single Unit

1	Casing+wear ring	151351510	151351510	151351510	151351510	151351550	151351550	151351550	151351550	151351590	151351590
		151351630	151351630	151351630	151351630	151351630	151351630	151351630			
3	Seal-housing disc	160150200	160150200	160150200	160150200	150150040	150150040	150150040	150150040	150150050	150150050
		150150050	150150050	150150090	150150090	150150090	150150090	150150090			
4	Pump bracket	161430511	161430511	161430511	161430521	161430511	161430521	161430521	161470650	161453141	161453151
		161453151	161453151	161452881	161452881	161452841	161452841	161452841			
9**	Motor 1~, 2P	107230270	50004HH00XA								
		SM90R	PLM90								
	Motor 3~, 2P	107234060	50A01RN00	50A02RH00	50A08VN00	50A02RH00	50A08VN00	50A13VH00	50A17VH00	50A13VH00	50A17VH00
		50A18VH00	50A19VH00	50A18VP00	50A19VP00	50A24VR00	50A25VR00	50A26VR00			
		SM90R	PLM90	PLM90	PLM112R	PLM90	PLM112R	PLM112	PLM132	PLM112	PLM132
		PLM132	PLM132	PLM132	PLM132	PLM160	PLM160	PLM160			
	Motor Support	161409750	161441100	161441100	161441830	161441110	161441140	161441220	?	161441160	161441190
		161441190	161441190	161441200	161441200	NO	NO	NO			

* Recommended spare parts - Parti di ricambio consigliate

* Pièces détachées conseillées - Empfohlene Ersatzteile

** Motor spare parts: see motor lists - Parti di ricambio motore: vedi liste motore

** Pièces détachées Moteur : voir listes moteur - Motor-Ersatzteile: gem. Motorlisten

NSCE_32-80_5_Feb15_Eda

Production date > Feb 2015

NSCE 50/.25.CS4

230-400/3/50 up to 3 kW digit R
400-690/3/50 since 4 kW digit V

NSCE		50-125/30/P	50-125/40/P	50-125/55/P	50-125/75/P	50-160/55/P	50-160/75/P	50-160/92/P	50-160/110/P	50-200/92/P	50-200/110/P
ELP 3 ~, 2P		101840400	101840410	101840420	101840430	101840450	101840460	101840470	101840480	101840500	101840510
kW ->		3,0	4,0	5,5	7,5	5,5	7,5	9,2	11,0	9,2	11,0
		50-200/150/P	50-200/185/P	50-250/150/P	50-250/185/P	50-250/220/P					
kW ->		101840520	101840530	101840550	101840560	101840570					
		15,0	18,5	15,0	18,5	22,0					

Kit

2*	Impeller A316	KL04AM7	KL04AM8	KL04AM9	KL04ANA	KL04ANB	KL04ANC	KL04AND	KL04ANE	KL04ANF	KL04ANG
		KL04ANH	KL04ANK	KL04ANL	KL04ANM	KL04ANN					
5	Wear ring, front	168602390	168602390	168602390	168602390						
6	Wear rings kit					KL03ACR	KL03ACR	KL03ACR	KL03ACR	KL03ACR	KL03ACR
		KL03ACR	KL03ACR	KL03ACR	KL03ACR	KL03ACR					
7*	Material-->	BQ1EGG	Q1Q1EGG	U3AEGG	BQ1VGG	Q1Q1VGG	U3AVGG	STD -> Mech BQ1EGG - OR EPDM			
	Mech. Seal D22 kit	KL01AF1	KL01AF2	KL01AGL	KL01AF4	KL01AF5	KL01AGM	50-125 ->160			
	Mech. Seal D28 kit	KL01AF7	KL01AF8	KL01AGN	KL01AGA	KL01AGB	KL01AGP	50-200/250			
8*	OR Kit EPDM	KL02AAH	All Versions incl. 3 Dia - OR								
	OR Kit FPM	KL02AAK									
10A	Imp. lock kit M12	KL39AAA				50-125->160					
	Imp. lock kit M16	KL39AAB				50-200->250					
13	Coupling D:18	KL10AAG				4P->125/03					
11	Plug kit EPDM	KL34AA8									
	Plug kit FPM	KL34AA9									
14	Screws kit	N/A									

Single Unit

1	Casing+wear ring	151351670	151351670	151351670	151351670	151351710	151351710	151351710	151351710	151351750	151351750
		151351750	151351750	151351790	151351790	151351790					
3	Seal-housing disc	160150200	160150200	160150200	160150200	150150050	150150050	150150050	150150050	150150200	150150200
		150150200	150150200	150150090	150150090	150150090					
4	Pump bracket	161430511	161430521	161430521	161470650	161453141	161453151	161453151	161453151	161453151	161453151
		161470660	161470660	161452841	161452841	161452841					
9**	Motor 3~, 2P	50A02RH00	50A08VN00	50A13VH00	50A17VH00	50A13VH00	50A17VH00	50A18VH00	50A19VH00	50A18VP00	50A19VP00
		50A24VR00	50A25VR00	50A24VR00	50A25VR00	50A26VR00					
		PLM90	PLM112R	PLM112	PLM132	PLM112	PLM132	PLM132	PLM132	PLM132	PLM132
		PLM160	PLM160	PLM160	PLM160	PLM160					
	Motor Support	161441110	161441140	161441220	?	161441160	161441190	161441190	161441190	161441190	161441190
		NO	NO	NO	NO	NO					

* Recommended spare parts - Parti di ricambio consigliate

* Pièces détachées conseillées - Empfohlene Ersatzteile

** Motor spare parts: see motor lists - Parti di ricambio motore: vedi liste motore

** Pièces détachées Moteur : voir listes moteur - Motor-Ersatzteile: gem. Motorlisten

NSCE_32-80_5_Feb15_EdA

Production date > Feb 2015

NSCE 65/.25.CC4

230-400/3/50 up to 3 kW digit R
400-690/3/50 since 4 kW digit V

NSCE		65-125/40/P	65-125/55/P	65-125/75/P	65-125/92/P	65-125/110/P	65-160/75/P	65-160/92/P	65-160/110/P	65-160/150/P	65-160/185/P
ELP 3 -, 2P		101840600	101840610	101840620	101840630	101840640	101840660	101840670	101840680	101840690	101840700
kW ->		4.0	5.5	7.5	9.2	11.0	7.5	9.2	11.0	15.0	18.5
		65-200/110/P	65-200/150/P	65-200/185/P	65-200/220/P						
kW ->		101840710	101840720	101840730	101840740						
		11.0	15.0	18.5	22.0						

Kit

2*	Impeller cast iron	KL04ANU KL04AN5	KL04ANT KL04AN4	KL04ANS KL04AN3	KL04ANR KL04AN2	KL04ANQ	KL04ANZ	KL04ANY	KL04ANX	KL04ANW	KL04ANV
5	Wear ring, front										
6	Wear rings kit	KL03ACS KL03ACT	KL03ACS KL03ACT	KL03ACS KL03ACT	KL03ACS KL03ACT	KL03ACS	KL03ACT	KL03ACT	KL03ACT	KL03ACT	KL03ACT
7*	Material->	BQ1EGG	Q1Q1EGG	U3AEGG	BQ1VGG	Q1Q1VGG	U3AVGG	STD -> Mech BQ1EGG - OR EPDM			
	Mech. Seal D22 kit	KL01AF1	KL01AF2	KL01AGL	KL01AF4	KL01AF5	KL01AGM	60-125			
	Mech. Seal D28 kit	KL01AF7	KL01AF8	KL01AGN	KL01AGA	KL01AGB	KL01AGP	65-160/200			
8*	OR Kit EPDM	KL02AAH	All Versions incl. 3 Dia - OR								
	OR Kit FPM	KL02AAK									
10	Imp. lock kit M12	KL39AAA				65-125					
	Imp. lock kit M16	KL39AAB				65-160->200					
10A	Coupling D:18	-									
11	Plug kit EPDM	KL34AA8									
	Plug kit FPM	KL34AA9									
14	Screws kit	N/A									

Single Unit

1	Casing+wear ring	151351830 151351910	151351830 151351910	151351830 151351910	151351830 151351910	151351830	151351870	151351870	151351870	151351870	151351870
3	Seal-housing disc	150150220 150150080	150150220 150150080	150150220 150150080	150150220 150150080	150150220	150150080	150150080	150150080	150150080	150150080
4	Pump bracket	161453141 161452881	161453141 161452841	161453151 161452841	161453151 161452841	161453151	161452881	161452881	161452881	161452841	161452841
9**	Motor 3-, 2P	50A08VN00 50A19VP00 PLM112R PLM132	50A13VH00 50A24VR00 PLM112 PLM160	50A17VH00 50A25VR00 PLM132 PLM160	50A18VH00 50A26VR00 PLM132 PLM160	50A19VH00	50A17VP00	50A18VP00	50A19VP00	50A24VR00	50A25VR00
	Motor Support	161441150 161441200	161441160 NO	161441190 NO	161441190 NO	161441190	161441190	161441190	161441190	NO	NO

* Recommended spare parts - Parti di ricambio consigliate

* Pièces détachées conseillées - Empfohlene Ersatzteile

** Motor spare parts: see motor lists - Parti di ricambio motore: vedi liste motore

** Pièces détachées Moteur : voir listes moteur - Motor-Ersatzteile: gem. Motorlisten

NSCE_32-80_5_Feb15_EdA

NSCE 80/.25.CC4

230-400/3/50 up to 3 kW digit R
400-690/3/50 since 4 kW digit V

NSCE		80-160/110/P	80-160/150/P	80-160/185/P	80-160/220/P
ELP 3 -, 2P		101840820	101840830	101840840	101840850
	kW ->	11	15	18.5	22

Kit

2*	Impeller cast iron	KL04APE	KL04APD	KL04APC	KL04APB			
5	Wear ring, front							
6	Wear rings kit	KL03ACV	KL03ACV	KL03ACV	KL03ACV			
7*	Material->	BQ1EGG	Q1Q1EGG	U3AEGG	BQ1VGG	Q1Q1VGG	U3AVGG	STD -> Mech BQ1EGG - OR EPDM
	Mech. Seal D28 kit	KL01AF7	KL01AF8	KL01AGN	KL01AGA	KL01AGB	KL01AGP	80-160
8*	OR Kit EPDM	KL02AAH	All Versions incl. 3 Dia - OR					
	OR Kit FPM	KL02AAK						
10	Imp. lock kit M16	KL39AAB	All Versions			80-160		
10A	Coupling D:18	-						
11	Plug kit EPDM	KL34AA8						
	Plug kit FPM	KL34AA9						
14	Screws kit	N/A						

Single Unit

1	Casing+wear ring	151351990	151351990	151351990	151351990
3	Seal-housing disc	150150080	150150080	150150080	150150080
4	Pump bracket	161452881	161452841	161452841	161452841
9**	Motor 3-, 2P	50A19VP00	50A24VR00	50A25VR00	50A26VR00
		<i>PLM132</i>	<i>PLM160</i>	<i>PLM160</i>	<i>PLM160</i>
	Motor Support	161441200	NO	NO	NO

* Recommended spare parts - Parti di ricambio consigliate

* Pièces détachées conseillées - Empfohlene Ersatzteile

** Motor spare parts: see motor lists - Parti di ricambio motore: vedi liste motore

** Pièces détachées Moteur : voir listes moteur - Motor-Ersatzteile: gem. Motorlisten

NSCE_32-80_5_Feb15_EdA

Production date > Feb 2015

NSCE 65/.25.CB4

230-400/3/50 up to 3 kW digit R
400-690/3/50 since 4 kW digit V

NSCE	65-125/40/P	65-125/55/P	65-125/75/P	65-125/92/P	65-125/110/P	65-160/75/P	65-160/92/P	65-160/110/P	65-160/150/P	65-160/185/P
ELP 3 ~, 2P	10184060B	10184061B	10184062B	10184063B	10184064B	10184066B	10184067B	10184068B	10184069B	10184070B
kW ->	4.0	5.5	7.5	9.2	11	7.5	9.2	11	15	18.5
	65-200/110/P	65-200/150/P	65-200/185/P	65-200/220/P						
	10184071B	10184072B	10184073B	10184074B						
kW ->	11	15	18.5	22						

Kit

2*	Impeller bronze (B)	KL04APU	KL04APT	KL04APS	KL04APR	KL04APQ	KL04APZ	KL04APY	KL04APX	KL04APW	KL04APV
		KL04AP5	KL04AP4	KL04AP3	KL04AP2						
5	Wear ring, front										
6	Wear rings kit	KL03ACS	KL03ACS	KL03ACS	KL03ACS	KL03ACS	KL03ACT	KL03ACT	KL03ACT	KL03ACT	KL03ACT
		KL03ACT	KL03ACT	KL03ACT	KL03ACT						

NSCE 80/.25.CB4

NSCE	80-160/110/P	80-160/150/P	80-160/185/P	80-160/220/P
ELP 3 ~, 2P	10184082B	10184083B	10184084B	10184085B
kW ->	11	15	18.5	22

230-400/3/50 up to 3 kW digit R
400-690/3/50 since 4 kW digit V

Kit

2*	Impeller bronze (B)	KL04AQE	KL04AQD	KL04AQC	KL04AQB
5	Wear ring, front				
6	Wear rings kit	KL03ACV	KL03ACV	KL03ACV	KL03ACV

* Recommended spare parts - Parti di ricambio consigliate

* Pièces détachées conseillées - Empfohlene Ersatzteile

** Motor spare parts: see motor lists - Parti di ricambio motore: vedi liste motore

** Pièces détachées Moteur : voir listes moteur - Motor-Ersatzteile: gem. Motorlisten

NSCE_32-80_5_Feb15_EdA

Production date > Feb 2015

NSCE 32/.45.CS4

230-400/3/50 up to 3 kW digit R
400-690/3/50 since 4 kW digit V

NSCE		32-125/02B/S	32-125/02A/S	32-125/02/S	32-125/03/S	32-160/02/S	32-160/03/S	32-160/05A/S	32-160/05/S	32-200/05A/S	32-200/05/S
ELP 3 ~, 4P		101843000	101843010	101843020	101843030	101843050	101843060	101843070	101843080	101843100	101843110
kW ->		0,25	0,25	0,25	0,37	0,25	0,37	0,55	0,55	0,55	0,55
		32-200/07/X	32-200/11/P	32-250/15B/P	32-250/15A/P	32-250/15/P	32-250/22/P				
kW ->		101843120	101843130	101843150	101843160	101843170	101843180				
		0,75	1,1	1,5	1,5	1,5	2,2				

Kit

2*	Impeller A316	KL04AL7	KL04AL8	KL04AL9	KL04AMA	KL04AMB	KL04AMC	KL04AMD	KL04AME	KL04AMF	KL04AMG
		KL04AMH	KL04AMK	KL04AML	KL04AMM	KL04AMN	KL04AMP				
5	Wear ring, front	168602370	168602370	168602370	168602370	168602370	168602370	168602370	168602370	168602370	168602370
		168602370	168602370								
6	Wear rings kit			KL03ACQ	KL03ACQ	KL03ACQ	KL03ACQ				
7*	Material->	BQ1EGG	Q1Q1EGG	U3AEGG	BQ1VGG	Q1Q1VGG	U3AVGG	STD -> Mech BQ1EGG - OR EPDM			
	Mech. Seal D22 kit	KL01AF1	KL01AF2	KL01AGL	KL01AF4	KL01AF5	KL01AGM	32-125 ->200			
	Mech. Seal D28 kit	KL01AF7	KL01AF8	KL01AGN	KL01AGA	KL01AGB	KL01AGP	32-250			
8*	OR Kit EPDM	KL02AAH	All Versions incl. 3 Dia - OR								
	OR Kit FPM	KL02AAK									
10	Imp. lock kit M12	KL39AAA					32-125->200				
	Imp. lock kit M16	KL39AAB					32-250				
10A	Coupling D:18	KL10AAG					4P->160/03				
11	Plug kit EPDM	KL34AA8									
	Plug kit FPM	KL34AA9									
14	Screws kit	N/A									

Single Unit

1	Casing+wear ring	151351350	151351350	151351350	151351350	151351390	151351390	151351390	151351390	151351430	151351430
		151351430	151351430	151351470	151351470	151351470	151351470				
3	Seal-housing disc	160150200	160150200	160150200	160150200	150150040	150150040	150150040	150150040	150150050	150150050
		150150050	150150050	150150090	150150090	150150090	150150090				
4	Pump bracket	161430521	161430521	161430521	161430521	161430521	161430521	161430511	161430511	161453131	161453131
		161453131	161453151	161452881	161452881	161452881	161452841				
9**	Motor 3~, 4P	107230620	107230620	107230620	107230680	107230620	107230680	107230830	107230830	107230830	107230830
		107241540	50A05RS00	50A06RT00	50A06RT00	50A06RT00	50A10RT00				
		SM471	SM471	SM471	SM471	SM471	SM471	SM490R	SM490R	SM490R	SM490R
		LLM490R	PLM490	PLM490	PLM490	PLM490	PLM4100				
	Motor Support	161409750	161409750	161409750	161409750	161409760	161409760	161409760	161409760	161409770	161409770
		161441800	161441120	161441130	161441130	161441130	161441170				

* Recommended spare parts - Parti di ricambio consigliate

* Pièces détachées conseillées - Empfohlene Ersatzteile

** Motor spare parts: see motor lists - Parti di ricambio motore: vedi liste motore

** Pièces détachées Moteur : voir listes moteur - Motor-Ersatzteile: gem. Motorlisten

NSCE_32-80_5_Feb15_EdA

Production date > Feb 2015

NSCE 40/.45.CS4

230-400/3/50 up to 3 kW digit R
400-690/3/50 since 4 kW digit V

NSCE		40-125/02A/S	40-125/02/S	40-125/03/S	40-125/05/S	40-160/03/S	40-160/05/S	40-160/07/X	40-160/11	40-200/07/X	40-200/11/P
ELP 3~, 4P	kW ->	101843200	101843210	101843220	101843230	101843250	101843260	101843270	101843280	101843300	101843310
		0,25	0,25	0,37	0,55	0,37	0,55	0,75	1,1	0,75	1,1
kW ->		40-200/15A/P	40-200/15/P	40-250/15A/P	40-250/15/P	40-250/22A/P	40-250/22/P	40-250/30/P			
		101843320	101843330	101843350	101843360	101843370	101843380	101843390	1,5	1,5	1,5
		1,5	1,5	1,5	1,5	2,2	2,2	3,0			

Kit

2*	Impeller A316	KL04AMQ	KL04AMR	KL04AMS	KL04AMT	KL04AMU	KL04AMV	KL04AMW	KL04AMX	KL04AMY	KL04AMZ
		KL04AM0	KL04AM1	KL04AM2	KL04AM3	KL04AM4	KL04AM5	KL04AM6			
5	Wear rings, front	168602380	168602380	168602380	168602380						
6	Wear rings kit					KL03ACQ	KL03ACQ	KL03ACQ	KL03ACQ	KL03ACQ	KL03ACQ
		KL03ACQ	KL03ACQ	KL03ACQ	KL03ACQ	KL03ACQ	KL03ACQ	KL03ACQ			
7*	Material-->	BQ1EGG	Q1Q1EGG	U3AEGG	BQ1VGG	Q1Q1VGG	U3AVGG	STD -> Mech BQ1EGG - OR EPDM			
	Mech. Seal D22 kit	KL01AF1	KL01AF2	KL01AGL	KL01AF4	KL01AF5	KL01AGM	40-125 ->200			
	Mech. Seal D28 kit	KL01AF7	KL01AF8	KL01AGN	KL01AGA	KL01AGB	KL01AGP	40-250			
8*	OR Kit EPDM	KL02AAH	All Versions incl. 3 Dia - OR								
	OR Kit FPM	KL02AAK									
10	Imp. lock kit M12	KL39AAA					40-125->200				
	Imp. lock kit M16	KL39AAB					40-250				
10A	Coupling D:18	KL10AAG					4P->160/03				
11	Plug kit EPDM	KL34AA8									
	Plug kit FPM	KL34AA9									
14	Screws kit	N/A									

Single Unit

1	Casing+wear ring	151351510	151351510	151351510	151351510	151351550	151351550	151351550	151351550	151351590	151351590
		151351590	151351590	151351630	151351630	151351630	151351630	151351630			
3	Seal-housing disc	160150200	160150200	160150200	160150200	150150040	150150040	150150040	150150040	150150050	150150050
		150150050	150150050	150150090	150150090	150150090	150150090	150150090			
4	Pump bracket	161430521	161430521	161430521	161430511	161430521	161430511	161470650	161470650	161453131	161453151
		161453151	161453151	161452881	161452881	161452841	161452841	161452841			
9**	Motor 3~, 4P	107230620	107230620	107230680	107230830	107230680	107230830	107241540	50A05RS00	107241540	50A05RS00
		50A06RS00	50A06RS00	50A06RT00	50A06RT00	50A10RT00	50A10RT00	50A11RT00			
		SM471	SM471	SM471	SM490R	SM471	SM490R	LLM490R	PLM490	LLM490R	PLM490
		PLM490	PLM490	PLM490	PLM490	PLM4100	PLM4100	PLM4100			
	Motor Support	161409750	161409750	161409750	161409750	161409760	161409760	161441810	161441110	161441800	161441120
		161441120	161441120	161441130	161441130	161441170	161441170	161441170			

* Recommended spare parts - Parti di ricambio consigliate

* Pièces détachées conseillées - Empfohlene Ersatzteile

** Motor spare parts: see motor lists - Parti di ricambio motore: vedi liste motore

** Pièces détachées Moteur : voir listes moteur - Motor-Ersatzteile: gem. Motorlisten

NSCE_32-80_5_Feb15_Eda

Production date > Feb 2015

NSCE 50/.45.CS4

230-400/3/50 up to 3 kW digit R
400-690/3/50 since 4 kW digit V

NSCE		50-125/03/S	50-125/05/S	50-125/07/X	50-125/11/P	50-160/07/X	50-160/11A/P	50-160/11/P	50-160/15/P	50-200/15A/P	50-200/15/P
ELP 3 -, 4P		101843400	101843410	101843420	101843430	101843450	101843460	101843470	101843480	101843500	101843510
	kW ->	0,37	0,55	0,75	1,1	0,75	1,1	1,1	1,5	1,5	1,5
		50-200/22A/P	50-200/22/P	50-250/22A/P	50-250/22/P	50-250/30/P	50-250/40/P				
	kW ->	2,2	2,2	2,2	2,2	3,0	4,0				

Kit

2*	Impeller A316	KL04AM7	KL04AM8	KL04AM9	KL04ANA	KL04ANB	KL04ANC	KL04AND	KL04ANE	KL04ANF	KL04ANG
		KL04ANH	KL04ANK	KL04ANL	KL04ANM	KL04ANN	KL04ANP				
5	Wear ring, front	168602390	168602390	168602390	168602390						
6	Wear rings kit					KL03ACR	KL03ACR	KL03ACR	KL03ACR	KL03ACR	KL03ACR
		KL03ACR	KL03ACR	KL03ACR	KL03ACR	KL03ACR	KL03ACR				
7*	Material-->	BQ1EGG	Q1Q1EGG	U3AEGG	BQ1VGG	Q1Q1VGG	U3AVGG	STD -> Mech BQ1EGG - OR EPDM			
	Mech. Seal D22 kit	KL01AF1	KL01AF2	KL01AGL	KL01AF4	KL01AF5	KL01AGM	50-125 ->160			
	Mech. Seal D28 kit	KL01AF7	KL01AF8	KL01AGN	KL01AGA	KL01AGB	KL01AGP	50-200/250			
8*	OR Kit EPDM	KL02AAH	All Versions incl. 3 Dia - OR								
	OR Kit FPM	KL02AAK									
10	Imp. lock kit M12	KL39AAA					50-125->160				
	Imp. lock kit M16	KL39AAB					50-200->250				
10A	Coupling D:18	KL10AAG					4P->125/03				
11	Plug kit EPDM	KL34AA8									
	Plug kit FPM	KL34AA9									
14	Screws kit	N/A									

Single Unit

1	Casing+wear ring	151351670	151351670	151351670	151351670	151351710	151351710	151351710	151351710	151351750	151351750
		151351750	151351750	151351790	151351790	151351790	151351790				
3	Seal-housing disc	160150200	160150200	160150200	160150200	150150050	150150050	150150050	150150050	150150200	150150200
		150150200	150150200	150150090	150150090	150150090	150150090				
4	Pump bracket	161430521	161430511	161430511	161470650	161453131	161453151	161453151	161453151	161453151	161453151
		161470660	161470660	161452841	161452841	161452841	161452841				
9**	Motor 3-, 4P	107230680	107230830	107241540	50A05RS00	107241540	50A05RS00	50A05RS00	50A06RS00	50A06RT00	50A06RT00
		50A10RT00	50A10RT00	50A10RT00	50A10RT00	50A11RT00	50A15VT00				
		<i>SM471</i>	<i>SM490R</i>	<i>LLM490R</i>	<i>PLM490</i>	<i>LLM490R</i>	<i>PLM490</i>	<i>PLM490</i>	<i>PLM490</i>	<i>PLM490</i>	<i>PLM490</i>
		<i>PLM4100</i>	<i>PLM4100</i>	<i>PLM4100</i>	<i>PLM4100</i>	<i>PLM4100</i>	<i>PLM4112</i>				
	Motor Support	161409760	161409760	161441810	161441110	161441800	161441120	161441120	161441120	161441120	161441120
		161441150	161441160	161441170	161441170	161441170	161441170				

* Recommended spare parts - Parti di ricambio consigliate

* Pièces détachées conseillées - Empfohlene Ersatzteile

** Motor spare parts: see motor lists - Parti di ricambio motore: vedi liste motore

** Pièces détachées Moteur : voir listes moteur - Motor-Ersatzteile: gem. Motorlisten

NSCE_32-80_5_Feb15_EdA

Production date > Feb 2015

NSCE 65/.45.CC4

230-400/3/50 up to 3 kW digit R
400-690/3/50 since 4 kW digit V

NSCE		65-125/05/S	65-125/07/X	65-125/11/P	65-125/15/P	65-160/15B/P	65-160/15A/P	65-160/15/P	65-160/22A/P	65-160/22/P	65-200/15/P
ELP 3~, 4P	kW ->	101843600	101843610	101843620	101843640	101843660	101843670	101843680	101843690	101843700	101843710
		0.55	0.75	1.1	1.5	1.5	1.5	1.5	2.2	2.2	1.5
kW ->		65-200/22A/P	65-200/22/P	65-200/30/P	65-200/40/P						
		101843720	101843730	101843740	101843750						
		2.2	2.2	3.0	4.0						

Kit

2*	Impeller cast iron	KL04ANU KL04AN4	KL04ANT KL04AN3	KL04ANS KL04AN2	KL04ANQ KL04AN1	KL04ANZ	KL04ANY	KL04ANX	KL04ANW	KL04ANV	KL04AN5
5	Wear ring, front										
6	Wear rings kit	KL03ACS KL03ACT	KL03ACS KL03ACT	KL03ACS KL03ACT	KL03ACS KL03ACT	KL03ACT	KL03ACT	KL03ACT	KL03ACT	KL03ACT	KL03ACT
7*	Material-->	BQ1EGG	Q1Q1EGG	U3AEGG	BQ1VGG	Q1Q1VGG	U3AVGG	STD -> Mech BQ1EGG - OR EPDM			
	Mech. Seal D22 kit	KL01AF1	KL01AF2	KL01AGL	KL01AF4	KL01AF5	KL01AGM	60-125			
	Mech. Seal D28 kit	KL01AF7	KL01AF8	KL01AGN	KL01AGA	KL01AGB	KL01AGP	65-160/200			
8*	OR Kit EPDM	KL02AAH	All Versions incl. 3 Dia - OR								
	OR Kit FPM	KL02AAK									
10	Imp. lock kit M12	KL39AAA				65-125					
	Imp. lock kit M16	KL39AAB				65-160->200					
10A	Coupling D:18	-									
11	Plug kit EPDM	KL34AA8									
	Plug kit FPM	KL34AA9									
14	Screws kit	N/A									

Single Unit

1	Casing+wear ring	151351830	151351830	151351830	151351830	151351870	151351870	151351870	151351870	151351870	151351910
		151351910	151351910	151351910	151351910						
3	Seal-housing disc	150150220	150150220	150150220	150150220	150150080	150150080	150150080	150150080	150150080	150150080
		150150080	150150080	150150080	150150080						
4	Pump bracket	161453131	161453131	161453151	161453151	161452881	161452881	161452881	161452841	161452841	161452881
		161452841	161452841	161452841	161452841						
9**	Motor 3~, 4P	107230830	107241540	50A05RS00	50A06RS00	50A06RT00	50A06RT00	50A06RT00	50A10RT00	50A10RT00	50A06RT00
		50A10RT00	50A10RT00	50A11RT00	50A15VT00						
		<i>SM490R</i>	<i>LLM490R</i>	<i>PLM490</i>	<i>PLM490</i>	<i>PLM490</i>	<i>PLM490</i>	<i>PLM490</i>	<i>PLM4100</i>	<i>PLM4100</i>	<i>PLM490</i>
		<i>PLM4100</i>	<i>PLM4100</i>	<i>PLM4100</i>	<i>PLM4112</i>						
	Motor Support	161409770	161441800	161441120	161441120	161441120	161441120	161441120	161441160	161441150	161441130
		161441170	161441170	161441170	161441170						

* Recommended spare parts - Parti di ricambio consigliate

* Pièces détachées conseillées - Empfohlene Ersatzteile

** Motor spare parts: see motor lists - Parti di ricambio motore: vedi liste motore

** Pièces détachées Moteur : voir listes moteur - Motor-Ersatzteile: gem. Motorlisten

NSCE_32-80_5_Feb15_EdA

NSCE 80/45.CC4

230-400/3/50 up to 3 kW digit R
400-690/3/50 since 4 kW digit V

NSCE		80-160/15/P	80-160/22A/P	80-160/22/P	80-160/30/P
ELP 3 -, 4P		101843820	101843830	101843840	101843850
	kW ->	1.5	2.2	2.2	3.0

Kit

2*	Impeller cast iron	KL04APE	KL04APD	KL04APC	KL04APB				
5	Wear ring, front	KL03ACV	KL03ACV	KL03ACV	KL03ACV				
6	Wear rings kit	KL03ACV	KL03ACV	KL03ACV	KL03ACV				
7*	Material-->	BQ1EGG	Q1Q1EGG	U3AEGG	BQ1VGG	Q1Q1VGG	U3AVGG	STD -> Mech BQ1EGG - OR EPDM	
	Mech. Seal D28 kit	KL01AF7	KL01AF8	KL01AGN	KL01AGA	KL01AGB	KL01AGP	80-160	
8*	OR Kit EPDM	KL02AAH	All Versions incl. 3 Dia - OR						
	OR Kit FPM	KL02AAK							
10	Imp. lock kit M16	KL39AAB	All Versions			80-160			
10A	Coupling D:18								
11	Plug kit EPDM	KL34AA8							
	Plug kit FPM	KL34AA9							
14	Screws kit	N/A							

Single Unit

1	Casing+wear ring	151351990	151351990	151351990	151351990
3	Seal-housing disc	150150080	150150080	150150080	150150080
4	Pump bracket	161452881	161452841	161452841	161452841
9**	Motor 3-, 4P	50A06RT00	50A10RT00	50A10RT00	50A11RT00
		PLM490	PLM4100	PLM4100	PLM4100
	Motor Support	161441130	161441170	161441170	161441170

* Recommended spare parts - Parti di ricambio consigliate

* Pièces détachées conseillées - Empfohlene Ersatzteile

** Motor spare parts: see motor lists - Parti di ricambio motore: vedi liste motore

** Pièces détachées Moteur : voir listes moteur - Motor-Ersatzteile: gem. Motorlisten

NSCE_32-80_5_Feb15_EdA

Production date > Feb 2015

NSCE 65/45.CB4

230-400/3/50 up to 3 kW digit R
400-690/3/50 since 4 kW digit V

NSCE		65-125/05/S	65-125/07/X	65-125/11/P	65-125/15/P	65-160/15B/P	65-160/15A/P	65-160/15/P	65-160/22A/P	65-160/22/P	65-200/15/P
ELP 3 -, 4P		10184360B	10184361B	10184362B	10184364B	10184366B	10184367B	10184368B	10184369B	10184370B	10184371B
	kW ->	0.55	0.75	1.1	1.5	1.5	1.5	1.5	2.2	2.2	1.5
kW ->		65-200/22A/P	65-200/22/P	65-200/30/P	65-200/40/P						
		10184372B	10184373B	10184374B	10184375B						
		2.2	2.2	3.0	4.0						

Kit

2*	Impeller bronze (B)	KL04APU	KL04APT	KL04APS	KL04APQ	KL04APZ	KL04APY	KL04APX	KL04APW	KL04APV	KL04AP5
		KL04AP4	KL04AP3	KL04AP2	KL04AP1						
5	Wear ring, front										
6	Wear rings kit	KL03ACS	KL03ACS	KL03ACS	KL03ACS	KL03ACT	KL03ACT	KL03ACT	KL03ACT	KL03ACT	KL03ACT
		KL03ACT	KL03ACT	KL03ACT	KL03ACT						

NSCE 80/45.CB4

230-400/3/50 up to 3 kW
400-690/3/50 since 4 kW

NSCE		80-160/15//P	80-160/22A/P	80-160/22/P	80-160/30/P
ELP 3 -, 4P		10184382B	10184383B	10184384B	10184385B
	kW ->	1.5	2.2	2.2	3.0

Kit

2*	Impeller bronze (B)	KL04AQE	KL04AQD	KL04AQC	KL04AQB
5	Wear ring, front				
6	Wear rings kit	KL03ACV	KL03ACV	KL03ACV	KL03ACV

* Recommended spare parts - Parti di ricambio consigliate

* Pièces détachées conseillées - Empfohlene Ersatzteile

** Motor spare parts: see motor lists - Parti di ricambio motore: vedi liste motore

** Pièces détachées Moteur : voir listes moteur - Motor-Ersatzteile: gem. Motorlisten

NSCE_32-80_5_Feb15_EdA