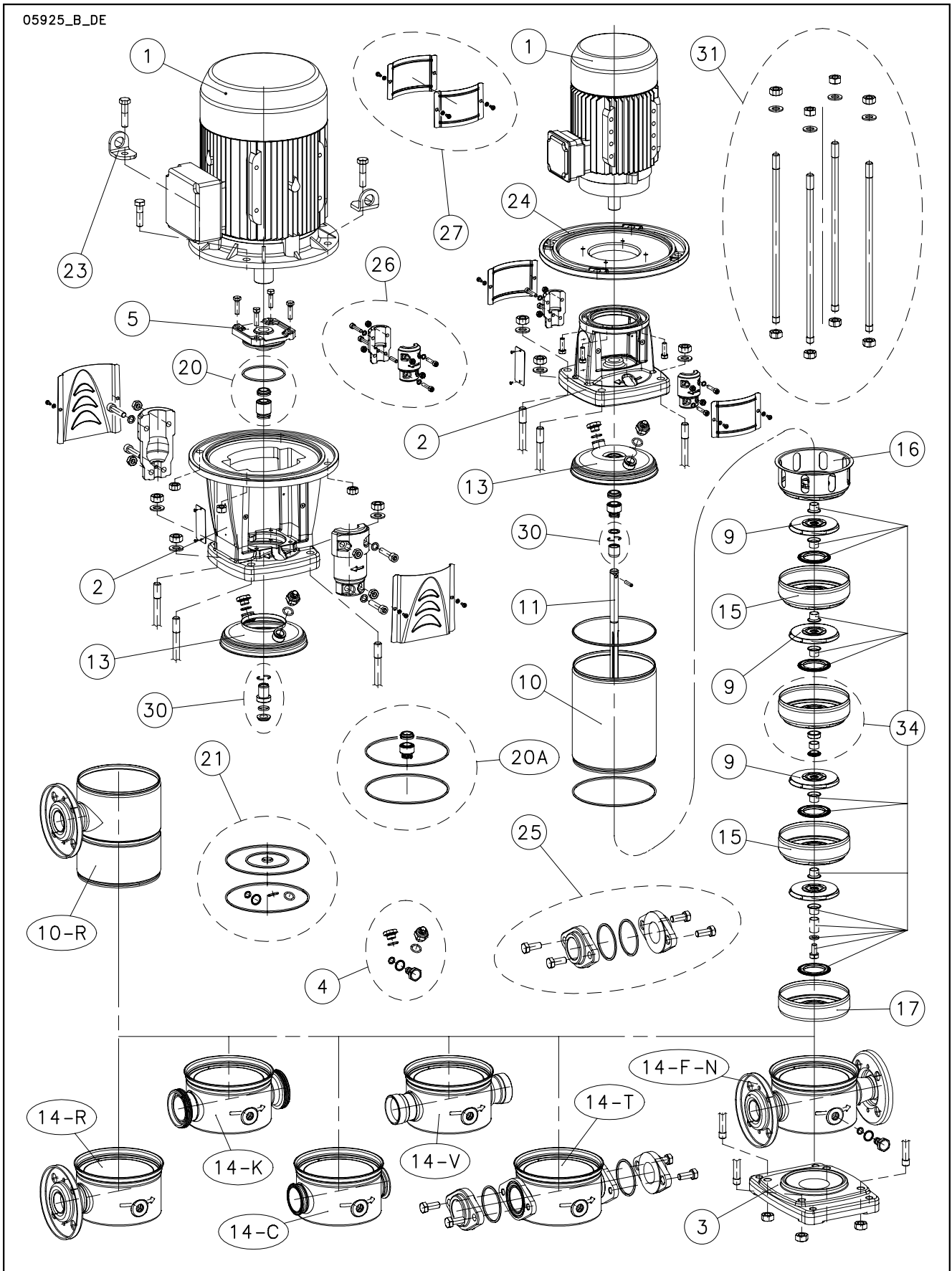


1, 3, 5, 10, 15, 22SV



Lowara and Vogel Pumpen are a trademark of Xylem Inc. or one of its subsidiaries. Goulds is a registered trademark of Goulds Pumps, Inc. and is used under license.

N.	Descrizione It	Description en	Description fr	Beschreibung de	Descripción es	Descrição pt
1	Motore	Motor	Moteur	Motor	Motor	Motor
2	Lanterna	Adaptor	Lanterne	Motorlanterne	Adaptador	Adaptador
3	Base	Basement	Base	Untersatz	Base	Base
4	Tappi	Plugs	Bouchons	Stopfen	Tapones	Tampões
5	Portatenuta superiore	Upper holder	Disque supérieure	Oberer dichtungsdeckel	Disco superior	Disco superior
9	Girante	Impeller	Roue	Laufrad	Rodete	Impulsor
10	Camicia	Sleeve	Chemise	Gehäuse	Camisa	Camisa
11	Albero	Shaft	Arbre	Welle	Árbol	Veio
13	Disco porta tenuta	Seal housing disc	Disque de garniture	Dichtungsdeckel	Disco de alojamiento sello	Disco porta-vedante
14	Corpo pompa	Pump body	Corps de pompe	Pumpengehäuse	Caja bomba	Corpo da bomba
15	Diffusore	Diffuser	Diffuseur	Diffusor	Difusor	Difusor
16	Diffusore finale	Last stage diffuser	Diffuseur dernier étage	Enddiffusor	Difusor final	Difusor final
17	Scatola stadio iniziale	Initial stage box	Box premier étage	Erste Stufe Diffusor	Caja etapa inicial	Carcaça primeira célula
20	Kit tenuta mecc. + OR	Mechanical seal + OR kit	Kit garniture mec. + joints toriques	Gleitringdichtung + O-Ring [Satz]	Kit sello mec. + junta tórica	Kit vedante mec. + OR
21	Kit guarnizioni OR	O ring kit	Kit joints toriques	Dichtungssatz	Kit juntas tóricas	Kit guarnições OR
23	Staffa sollevamento	Lifting bracket	Support de levage	Hebeösen	Soporte de elevación	Suporte de suspensão
24	Flangia motore	Motor flange	Bride moteur	Motorflansch	Brida motor	Flange motor
25	Kit controflangia ovale	O val counterflange kit	Kit contrebride ovale	Gegenflansch oval [Satz]	Kit contrafrida oval	Kit contraflange oval
26	Kit coppia di semigiunti	Pair of half coupling kit	Kit paire de demi-manchons	Kupplung [Satz]	Kit par de semijuntas	Kit par de semi-juntas
27	Kit protezione giunto	Coupling guard kit	Kit protection manchon	Kupplungsschutz [Satz]	Kit protección junta	Kit protecção junta
30	Kit bussola tenuta	Bush seal kit	Kit douille garniture	Gleitringdichtungsarretierung und mitnehmer	Kit casquillo sello	kit bucha vedante
31	Kit tiranti	Tie rods kit	Kit tirants	Zugstangen [Satz]	Kit tirantes	Kit tirantes
34	Kit parti di usura	Wear parts kit	Kit parties d'usure	Verschleißteile [Satz]	Kit piezas de desgaste	Kit peças desgastáveis
N.	Beschrijving nl	Περιγραφή el	Açıklama tr	Kuvaus fi	Описание ru	Opis pl
1	Motor	Πλήρης κινητήρας	Motor	Moottori	Двигатель	Silnik
2	Lantaarnstuk	Μπρακέτο	Adaptör	Sovitin	Крестовина	Piasta
3	Pompvoet	Βάση	Kaide	Perusta	Основание	Podstawa
4	Pluggen	Σετ ταπών	Tapalar	Tulpat	Пробки	Zatyczki
5	Bovenste plaat	Ανώτερος Δίσκος	Üst disk	Ylempi levy	Верхний держатель дисков	Tarcza górna
9	Waaier	στροφέιο	Pompa rotoru	Juoksupyörä	рабочее колесо	Wirnik
10	Mantel	Κέλυφος	Gömlek	Muhvi	Муфта	Plaszcz
11	As	Άξονας	Mil	Akseli	Вал	Wał
13	Dichtingssteenplaat	Δίσκος μηχανικού στυποθλιπτή	Sızdırmazlık elemanı disk	Tiivsteen kannatuslevy	Пластина держателя прокладки	Tarcza uszczelki
14	Pomphuis	Σώμα αντλίας	Pompa gövdesi	Pumpun runko	Корпус насоса	Korpus pompy
15	Diffusor	Πτερύγιο εκτροπής	Difüzör	Diffusori	Диффузор	Dyfuzor
16	Diffusor laatste trap	Τελευταίο πτερύγιο εκτροπής	Son difüzör	Loppuvaiheen diffusori	Конечный диффузор	Dyfuzor końcowy
17	Kast eerste trap	Πρώτο πτερύγιο εκτροπής	İlk kademe kutusu	Ensivaiheen laatikko	Коробка начальной стадии	Skrzynka początkowego stadium
20	Set mech. asafdichting + O-ring	Μηχανικός στυποθλιπτής και ροδέλες στεγανοποίησης	Mekanik salmastra kiti + O-Ring	Mek. tiiviste + O-rengassarja	Комплект мех. прокладки + OR	Zestaw uszcz. mech. + OR
21	Set O-ringafdichtingen	Σετ ροδέλες στεγανοποίησης	O-Ring kiti	O-rengassarja	Комплект кольцевых прокладок OR	Zestaw uszczeliek OR
23	Hijz steun	Άρση αγκύλη	Dirsek Kaldırma	Nosto ylätuki	Подъемные кронштейн	Podnoszenia wspornik
24	Motorflens	Μπρακέτο κινητήρα	Motor flanş	Moottorin laippa	Фланец двигателя	Kolnierz silnika
25	Set ovale flenzen	Σετ Οβάλ φλάντζα	Oval flanş kiti	Soikeiden vastalaipprojen sarja	Комплект Овальный фланец	Zestaw Kolnierz owalnych
26	Set koppelingshefften	Σετ σταθερού συνδέσμου	Çift yanım manşon kiti	Liitinsarja	Комплект пары полумуфт	Zestaw pary półzłączy
27	Set koppelingsbescherming	Καλύμματα προστασίας σταθερού συνδέσμου	Manşon koruma kiti	Liitoksen suojuussarja	Комплект защиты муфт	Zestaw ochrony złączy
30	Set afdichtingsbus	Σετ κουζινέτου μηχανικού στυποθλιπτή	Sızdırmazlık elemanı burcu kiti	Holkki ja tiiviste	Комплект втулки уплотнения	Zestaw busoli uszczel.
31	Set trekstangen	Σετ ράβδων σύνδεσης	Gergi çubuğu kiti	Vetotankosarja	Комплект тяг	Zestaw napinaczy
34	Set slijtonderdelen	Σετ δακτυλίων τριβής	Aşınma parçaları kiti	Kulumisiosien sarja	Комплект изнашиваемых частей	Zestaw części podl. zużyciu

1SV F 2 Pole

Production date >Sept 2010

ELP 2 P											
F Version	M ~>	1SV02F003	1SV03F003	1SV04F003	1SV05F003	1SV06F003	1SV07F003	1SV08F005	1SV09F005	1SV10F005	1SV11F005
	T ~>	1016L1831	1016L1841	1016L1851	1016L1861	1016L1871	1016L1881	1016L1891	1016L1901	1016L1911	1016L1921
		1016L0011	1016L0021	1016L0031	1016L0041	1016L0051	1016L0061	1016L0071	1016L0081	1016L0091	1016L0101
		1SV12F007	1SV13F007	1SV15F007	1SV17F011	1SV19F011	1SV22F011	1SV25F015	1SV27F015	1SV30F015	1SV32F022
		1016L1931	1016L1941	1016L1961	1016L1981	1016L2001	1016L2031	1016L2061	1016L2081	1016L2111	1016L2131
		1016L0111	1016L0121	1016L0141	1016L0161	1016L0181	1016L0211	1016L0241	1016L0261	1016L0291	1016L0311
		1SV34F022	1SV37F022								
		1016L2151	1016L2181								
		1016L0331	1016L0361								

Single Unit and Kit

10	Sleeve F-T	166443040	166443040	166443060	166443070	166443080	166443100	166443120	166443140	166443150	166443160
		166443180	166443200	166443230	166443260	166443300	166443340	166443390	166443420	166443470	166443500
		166443540	166443580								
11	Shaft A304	165050040	165050040	165050060	165050070	165050080	165050100	165050120	165050140	165050150	165050160
		165050180	165050200	165050230	165050260	165050300	165050340	165050390	165050420	165050480	165050520
		165050550	165050600								
31	Tie rods SVF kit	KL22AK5	KL22AK5	KL22AK6	KL22AK7	KL22AK8	KL22AK9	KL22ABP	KL22ALB	KL22ALC	KL22ALD
		KL22ALE	KL22ABT	KL22ALH	KL22ALL	KL22ALM	KL22ALP	KL22ALR	KL22ALS	KL22ALU	KL22ALW
		KL22ALY	KL22ALZ								

Motor, Coupling, Motor adaptor

Motor power kW >	0,37	0,37	0,37	0,37	0,37	0,37	0,55	0,55	0,55	0,55
	0,75	0,75	0,75	1,1	1,1	1,1	1,5	1,5	1,5	2,2
	2,2	2,2								

**1	kw >	0,37	0,55	0,75	1,1	1,5	2,2
	Motor 2P, 1 ~>	107230020	107230040	107230100	107230120	107230180	50004HD00
	Motor 2P, 3 ~>	107230060	107230080	107230150	107230500	50000RD00	50001RD00
2	Adaptor	161470700	161470700	161470720	161470720	161470740	161470740
23	Lifting bracket	-	-	-	-	-	-
26	Coupling	KL10ABC	KL10ABC	KL10ABD	KL10ABD	KL10ABE	KL10ABE
27	Coupling guard	KL33AAM	KL33AAM	KL33AAN	KL33AAN	KL33AAP	KL33AAP

Wear Parts kit

up to model (->)	-> 1SV10	-> 1SV20	-> 1SV27	-> 1SV35	-> 1SV38	
	1 bearing	2 bearing	3 bearing	4 bearing	5 bearing	
*34	Wear parts	KL35AEE	KL35AEF	KL35AEG	KL35AEH	KL35AEK

Mechanical seal Kit : Mech seal D12 + sleeve OR

*20A	Materials ->	Q1BEGG	KL01AAD	Std -> Seal Q1BEGG - OR EPDM
		Q1Q1EGG	KL01AC7	
		Q1BVGG	KL01AAG	
		Q1Q1VGG	KL01AC9	
		Q1CTGG	KL01ADB	
		Q1Q1TGG	KL01ADD	

Common, Single Unit and kit

3	Base	161431310	-> 1-3-5SVF
4	Plugs	EPDM	KL34AAT
		FPM	KL34AAL
		FEP	KL34AAM
5	Upper holder	-	
*9	Impeller 1SV A304	150703600	
13	Seal housing disc	150102920	
14	Pump body	151302320	-> 1-3SVF
15	Diffuser	152803110	
16	Last stage diffuser	152803010	
17	First stage box	152802910	
*21	OR	EPDM	KL02AA1
		FPM	KL02AA2
		FEP	KL02AA3
24	Motor flange	-	
25	Kit oval flange OR EPDM	-	
	Kit oval flange OR FPM	-	
30	Impellers retainer	KL41AAX	

* Recommended spare parts - Parti di ricambio consigliate

** Pièces détachées conseillées - Empfohlene Ersatzteile

** Motor spare parts: see motor lists - Parti di ricambio motore: vedi liste motore

** Pièces détachées Moteur : voir listes moteur - Motor-Ersatzteile: gem. Motorlisten

1-22SVF_5_Sept10 EdH

1SV F 4 Pole

ELP 4 P, 3 ~		1SV02F0024	1SV05F0024	1SV08F0024	1SV11F0024	1SV15F0024	1SV19F0024	1SV22F0024	1SV27F0024	1SV30F0024	1SV34F0024
F Version	T ~ >	1016L2891	1016L2921	1016L2951	1016L2981	1016L3021	1016L3061	1016L3091	1016L3141	1016L3171	1016L3211
	T ~ >	1016L3241									

Single Unit and Kit

10	Sleeve F-T	166443040	166443070	166443120	166443160	166443230	166443300	166443340	166443420	166443470	166443540
		166443580									
11	Shaft A304	165050040	165050070	165050120	165050160	165050230	165050300	165050340	165050420	165050480	165050550
		165050600									
31	Tie rods SVF kit	KL22AK5	KL22AK7	KL22ABP	KL22ALD	KL22ALH	KL22ALM	KL22ALP	KL22ALS	KL22ALU	KL22ALY
		KL22ALZ									

Motor, Coupling, Motor Adaptor

Motor power kW>	0,25	0,25	0,25	0,25	0,25	0,25	0,25	0,25	0,25	0,25	0,25
	0,25										

**1	kW >	0,25 kW
	Motor 4P, 3 ~ >	107230640
2	Adaptor	161470700
23	Lifting bracket	-
26	Coupling	KL10ABC
27	Coupling guard	KL33AAM

Wear Parts kit

up to model (- >)	- > 1SV10	- > 1SV20	- > 1SV27	- > 1SV35	- > 1SV38	
	1 bearing	2 bearing	3 bearing	4 bearing	5 bearing	
*34	Wear parts	KL35AEE	KL35AEF	KL35AEG	KL35AEH	KL35AEK

Mechanical seal Kit : Mech seal D12 + sleeve OR

*20A	Materials ->	Q1BEGG	KL01AAD	Std -> Seal Q1BEGG - OR EPDM
		Q1Q1EGG	KL01AC7	
		Q1BVGG	KL01AAG	
		Q1Q1VGG	KL01AC9	
		Q1CTGG	KL01ADB	
		Q1Q1TGG	KL01ADD	

Common, Single Unit and kit

3	Base	161431310	-> 1-3-5SVF
4	Plugs	EPDM	KL34AAT
		FPM	KL34AAL
		FEP	KL34AAM
5	Upper holder	-	
*9	Impeller 1SV A304	150703600	
13	Seal housing disc	150102920	
14	Pump body	151302320	
15	Diffuser	152803110	
16	Last stage diffuser	152803010	
17	First stage box	152802910	
*21	OR	EPDM	KL02AA1
		FPM	KL02AA2
		FEP	KL02AA3
24	Motor flange	-	
30	Impellers retainer	KL41AAX	

Parts 1-3SV with less impellers

-> both SV el.pumps 2 - 4 Pole

	Spacer in place of impeller	162503832
	Diffuser box empty	162801612
	Last stage diffuser box empty	162801722

* Recommended spare parts - Parti di ricambio consigliate

* Pièces détachées conseillées - Empfohlene Ersatzteile

** Motor spare parts: see motor lists - Parti di ricambio motore: vedi liste motore

** Pièces détachées Moteur : voir listes moteur - Motor-Ersatzteile: gem. Motorlisten

3SV F 2 Pole

Production date > Sept 2010

ELP 2 P		3SV02F003	3SV03F003	3SV04F003	3SV05F005	3SV06F005	3SV07F007	3SV08F007	3SV09F011	3SV10F011	3SV11F011
F Version	M ~>	1016L2231	1016L2241	1016L2251	1016L2261	1016L2271	1016L2281	1016L2291	1016L2301	1016L2311	1016L2321
	T ~>	1016L0421	1016L0431	1016L0441	1016L0451	1016L0461	1016L0471	1016L0481	1016L0491	1016L0501	1016L0511
M ~>	M ~>	3SV12F011	3SV13F015	3SV14F015	3SV16F015	3SV19F022	3SV21F022	3SV23F022	3SV25F022	3SV27F030	3SV29F030
	T ~>	1016L2331	1016L2341	1016L2351	1016L2371	1016L2401	1016L2421	1016L2441	1016L2461		
M ~>	T ~>	1016L0521	1016L0531	1016L0541	1016L0561	1016L0591	1016L0611	1016L0631	1016L0651	1016L0671	1016L0691
		3SV31F030	3SV33F030								
M ~>											
T ~>		1016L0711	1016L0731								

Single Unit and Kit

10	Sleeve F-T	166443040	166443040	166443060	166443070	166443080	166443100	166443120	166443140	166443150	166443160
		166443180	166443200	166443220	166443240	166443300	166443320	166443360	166443390	166443420	166443460
11	Shaft A304	165050040	165050040	165050060	165050070	165050080	165050100	165050120	165050140	165050150	165050160
		165050180	165050200	165050220	165050240	165050300	165050320	165050360	165050390	165050420	165050470
		165050500	165050540								
31	Tie rods SVF kit	KL22AK5	KL22AK5	KL22AK6	KL22AK7	KL22AK8	KL22AK9	KL22ABP	KL22ALB	KL22ALC	KL22ALD
		KL22ALE	KL22ABT	KL22ALG	KL22ALK	KL22ALM	KL22ALN	KL22ALQ	KL22ALR	KL22ALS	KL22ALT
		KL22ALV	KL22ALX								

Motor, Coupling, Motor adaptor

Motor power kW >	0,37	0,37	0,37	0,55	0,55	0,75	0,75	1,1	1,1	1,1
	1,1	1,5	1,5	1,5	2,2	2,2	2,2	2,2	3,0	3,0
	3,0	3,0								

**1	kW >	0,37	0,55	0,75	1,1	1,5	2,2	3,0
	Motor 2P, 1 ~>	107230020	107230040	107230100	107230120	107230180	50004HD00	
	Motor 2P, 3 ~>	107230060	107230080	107230150	107230500	50000RD00	50001RD00	50002RF00
2	Adaptor	161470700	161470700	161470720	161470720	161470740	161470740	161470760
23	Lifting bracket	-	-	-	-	-	-	-
26	Coupling	KL10ABC	KL10ABC	KL10ABD	KL10ABD	KL10ABE	KL10ABE	KL10ABF
27	Coupling guard	KL33AAM	KL33AAM	KL33AAN	KL33AAN	KL33AAP	KL33AAP	KL33AAQ

Wear Parts kit

up to model (->)	-> 3SV10	-> 3SV20	-> 3SV27	-> 3SV35	
	1 bearing	2 bearing	3 bearing	4 bearing	
*34	Wear parts	KL35AEE	KL35AEF	KL35AEG	KL35AEH

Mechanical seal Kit : Mech seal D12 + sleeve OR

*20A	Materials ->	Q1BEGG	KL01AAD	Std -> Seal Q1BEGG - OR EPDM
		Q1Q1EGG	KL01AC7	
		Q1BVGG	KL01AAG	
		Q1Q1VGG	KL01AC9	
		Q1CTGG	KL01ADB	
		Q1Q1TGG	KL01ADD	

Common, Single Unit and kit

3	Base		161431310	-> 1-3-5SVF-R
4	Plugs	EPDM	KL34AAT	
		FPM	KL34AAL	
		FEP	KL34AAM	
5	Upper holder		-	
*9	Impeller 3SV A304		150703610	
13	Seal housing disc		150102920	
14	Pump body		151302320	
15	Diffuser		152803110	
16	Last stage diffuser		152803010	
17	First stage box		152802910	
*21	OR	EPDM	KL02AA1	
		FPM	KL02AA2	
		FEP	KL02AA3	
24	Motor flange		-	
25	Kit oval flange OR EPDM		-	
	Kit oval flange OR FPM		-	
30	Impellers retainer		KL41AAX	

* Recommended spare parts - Parti di ricambio consigliate

* Pièces détachées conseillées - Empfohlene Ersatzteile

** Motor spare parts: see motor lists - Parti di ricambio motore: vedi liste motore

** Pièces détachées Moteur : voir listes moteur - Motor-Ersatzteile: gem. Motorlisten

1-22SVF_5_Sept10_EdH

3SV F 4 Pole

ELP 4 P, 3 ~										
F Version	3SV02F0024	3SV05F0024	3SV08F0024	3SV11F0024	3SV14F0024	3SV19F0024	3SV23F0024	3SV27F0034	3SV33F0034	
T ~ >	1016L3301	1016L3331	1016L3361	1016L3391	1016L3421	1016L3471	1016L3511	1016L3551	1016L3611	

Single Unit and Kit

10	Sleeve F-T	166443040	166443070	166443120	166443160	166443220	166443300	166443360	166443420	166443520
11	Shaft A304	165050040	165050070	165050120	165050160	165050220	165050300	165050360	165050420	165050540
31	Tie rods SVF kit	KL22AK5	KL22AK7	KL22ABP	KL22ALD	KL22ALG	KL22ALM	KL22ALQ	KL22ALS	KL22ALX

Motor, Coupling, Motor Adaptor

Motor power kW>	0,25	0,25	0,25	0,25	0,25	0,25	0,25	0,37	0,37
-----------------	------	------	------	------	------	------	------	------	------

**1	kW >	0,25 kW	0,37 kW
	Motor 4P, 3 ~ >	107230640	107230700
2	Adaptor	161470700	161470700
23	Lifting bracket	-	-
27	Coupling guard	KL33AAM	KL33AAM
26	Coupling	KL10ABC	KL10ABC

Wear Parts kit

up to model (- >)	- > 3SV10	- > 3SV20	- > 3SV27	- > 3SV35	
	1 bearing	2 bearing	3 bearing	4 bearing	
*34	Wear parts	KL35AEE	KL35AEF	KL35AEG	KL35AEH

Mechanical seal Kit : Mech seal D12 + sleeve OR

*20A	Materials ->	Q1BEGG	KL01AAD	Std -> Seal Q1BEGG - OR EPDM
		Q1Q1EGG	KL01AC7	
		Q1BVGG	KL01AAG	
		Q1Q1VGG	KL01AC9	
		Q1CTGG	KL01ADB	
		Q1Q1TGG	KL01ADD	

Common, Single Unit and kit

3	Base	161431310	-> 1-3-5SVF
4	Plugs	EPDM	KL34AAT
		FPM	KL34AAL
		FEP	KL34AAM
5	Upper holder	-	
*9	Impeller SVF 3SV A304	150703610	
13	Seal housing disc	150102920	
14	Pump body	151302320	
15	Diffuser	152803110	
16	Last stage diffuser	152803010	
17	First stage box	152802910	
*21	OR	EPDM	KL02AA1
		FPM	KL02AA2
		FEP	KL02AA3
24	Motor flange	-	
30	Impellers retainer	KL41AAX	

Parts 1-3SV with less impellers

-> both SV el.pumps 2 - 4 Pole

	Spacer in place of impeller	162503832
	Diffuser box empty	162801612
	Last stage diffuser box empty	162801722

* Recommended spare parts - Parti di ricambio consigliate

* Pièces détachées conseillées - Empfohlene Ersatzteile

** Motor spare parts: see motor lists - Parti di ricambio motore: vedi liste motore

** Pièces détachées Moteur : voir listes moteur - Motor-Ersatzteile: gem. Motorlisten

SSV F 2 Pole

Production date >Sept 2010

ELP 2 P		5SV02F003	5SV03F005	5SV04F005	5SV05F007	5SV06F011	5SV07F011	5SV08F011	5SV09F015	5SV10F015	5SV11F015
F Version	M ~>	1016L2511	1016L2521	1016L2531	1016L2541	1016L2551	1016L2561	1016L2571	1016L2581	1016L2591	1016L2601
	T ~>	1016L0791	1016L0801	1016L0811	1016L0821	1016L0831	1016L0841	1016L0851	1016L0861	1016L0871	1016L0881
M ~>	M ~>	5SV12F022	5SV13F022	5SV14F022	5SV15F022	5SV16F022	5SV18F030	5SV21F030	5SV23F040	5SV25F040	5SV28F040
	T ~>	1016L2611	1016L2621	1016L2631	1016L2641	1016L2651					
M ~>	M ~>	1016L0891	1016L0901	1016L0911	1016L0921	1016L0931	1016L0951	1016L0981	1016L1001	1016L1021	1016L1051
	T ~>	5SV30F055	5SV33F055								
M ~>	M ~>										
	T ~>	1016L1071	1016L1101								

Single Unit and Kit

10	Sleeve F-T	166443030	166443050	166443070	166443090	166443110	166443130	166443150	166443170	166443190	166443210
		166443230	166443250	166443270	166443290	166443310	166443350	166443410	166443450	166443490	166443550
		166443590	166443650								
11	Shaft A304	165050030	165050050	165050070	165050090	165050110	165050130	165050150	165050170	165050190	165050210
		165050230	165050250	165050270	165050290	165050310	165050350	165050410	165050450	165050490	165050550
		165050590	165050650								
31	Tie rods SVF kit	KL22AL7	KL22AL8	KL22AK7	KL22AL9	KL22AMA	KL22AMB	KL22ALC	KL22AMC	KL22AMD	KL22AME
		KL22ALH	KL22AMF	KL22AMG	KL22AMH	KL22AMK	KL22AML	KL22AMM	KL22AMN	KL22AMP	KL22AMQ
		KL22AMR	KL22AMS								

Motor, Coupling, Motor adaptor

Motor power kW >	0,37	0,37	0,55	0,55	0,75	1,1	1,1	1,5	1,5	1,5
	2,2	2,2	2,2	2,2	2,2	3,0	3,0	4,0	4,0	4,0
	5,5	5,5								

**1	Motor 2P, 1 ~>	0,37	0,55	0,75	1,1	1,5	2,2	3,0	4,0	5,5
	Motor 2P, 3 ~>	107230020	107230040	107230100	107230120	107230180	50004HD00			
2	Adaptor	161470700	161470700	161470720	161470720	161470740	161470740	161470760	161470760	161470760
23	Lifting bracket	-	-	-	-	-	-	-	-	161441050
26	Coupling	KL10ABC	KL10ABC	KL10ABD	KL10ABD	KL10ABE	KL10ABE	KL10ABF	KL10ABF	KL10ABY
27	Coupling guard	KL33AAM	KL33AAM	KL33AAN	KL33AAN	KL33AAP	KL33AAP	KL33AAQ	KL33AAQ	KL33AAQ

Wear Parts kit

up to model (->)	-> 5SV08	-> 5SV16	-> 5SV22	-> 5SV28	-> 5SV34	
	1 bearing	2 bearing	3 bearing	4 bearing	5 bearing	
*34	Wear parts	KL35AEL	KL35AEM	KL35AEN	KL35AEP	KL35AEQ

Mechanical seal Kit : Mech seal D12 + sleeve OR

*20A	Materials ->	Q1BEGG	KL01AAD	Std -> Seal Q1BEGG - OR EPDM
		Q1Q1EGG	KL01AC7	
		Q1BVGG	KL01AAG	
		Q1Q1VGG	KL01AC9	
		Q1CTGG	KL01ADB	
		Q1Q1TGG	KL01ADD	

Common, Single Unit and kit

3	Base	161431310	-> 1-3-5SVF-R
4	Plugs	EPDM	KL34AAT
		FPM	KL34AAL
		FEP	KL34AAM
5	Upper holder	-	
*9	Impeller 5SV A304	150703620	
13	Seal housing disc	150102920	
14	Pump body	151302400	-> 5SVF
15	Diffuser	152803120	
16	Last stage diffuser	152803020	
17	First stage box	152802920	
*21	OR	EPDM	KL02AA1
		FPM	KL02AA2
		FEP	KL02AA3
24	Motor flange	161050700	1-3-5SV 5,5 kW
25	Kit oval flange OR EPDM	-	
	Kit oval flange OR FPM	-	
30	Impellers retainer	KL41AAX	

* Recommended spare parts - Parti di ricambio consigliate

* Pièces détachées conseillées - Empfohlene Ersatzteile

** Motor spare parts: see motor lists - Parti di ricambio motore: vedi liste motore

** Pièces détachées Moteur : voir listes moteur - Motor-Ersatzteile: gem. Motorlisten

1-22SVF_5_Sept10_EdH

SSV F 4 Pole

Production date > Sept 2010

ELP 2 P	5SV03F0024	5SV06F0024	5SV09F0024	5SV12F0024	5SV15F0034	5SV18F0034	5SV21F0034	5SV25F0054	5SV28F0054	5SV33F0074
F Version	1016L3681	1016L3711	1016L3741	1016L3771	1016L3801	1016L3831	1016L3861	1016L3901	1016L3931	1016L3981
T ~ >										

Single Unit and Kit

10	Sleeve F-T	166443050	166443110	166443170	166443230	166443290	166443350	166443410	166443490	166443550	166443650
11	Shaft A304	165050050	165050110	165050170	165050230	165050290	165050350	165050410	165050490	165050550	165050650
31	Tie rods SVF kit	KL22AL8	KL22AMA	KL22AMC	KL22ALH	KL22AMH	KL22AML	KL22AMM	KL22AMP	KL22AMQ	KL22AMS

Motor, Coupling, Motor adaptor

Motor power	0,25	0,25	0,25	0,25	0,37	0,37	0,37	0,55	0,55	0,75
**1	kw >	0,25 kW	0,37 kW	0,55 kW	0,75 kW					
	Motor 4P, 3 ~ >	107230640	107230700	107230760	107230820					
2	Adaptor	161470700	161470700	161470700	161470720					
23	Lifting bracket	-	-	-	-					
27	Coupling guard	KL33AAM	KL33AAM	KL33AAM	KL33AAN					
26	Coupling	KL10ABC	KL10ABC	KL10ABC	KL10ABD					

Wear Parts kit

up to model (- >)	- > 5SV08	- > 5SV16	- > 5SV22	- > 5SV28	- > 5SV34	
	1 bearing	2 bearing	3 bearing	4 bearing	5 bearing	
*34	Wear parts incl. OR, EPDM	KL35AEL	KL35AEM	KL35AEN	KL35AEP	KL35AEQ

Mechanical seal Kit : Mech seal D12 + sleeve OR

*20A	Materials ->	Q1BEGG	KL01AAD	Std -> Seal Q1BEGG - OR EPDM
		Q1Q1EGG	KL01AC7	
		Q1BVGG	KL01AAG	
		Q1Q1VGG	KL01AC9	
		Q1CTGG	KL01ADB	
		Q1Q1TGG	KL01ADD	

Common, Single Unit and kit

3	Base	161431310	-> 1-3-5SVF
4	Plugs	EPDM	KL34AAT
		FPM	KL34AAL
		FEP	KL34AAM
5	Upper holder	-	
*9	Impeller 5SV A304	150703620	
13	Seal housing disc	150102920	
14	Pump body	151302400	
15	Diffuser	152803120	
16	Last stage diffuser	152803020	
17	First stage box	152802920	
*21	OR	EPDM	KL02AA1
		FPM	KL02AA2
		FEP	KL02AA3
24	Motor flange	-	
30	Impellers retainer	KL41AAX	

Parts 5SV with less impellers

-> both SV el.pumps 2 - 4 Pole

	Spacer in place of impeller	162503842
	Diffuser box empty	162801622
	Last stage diffuser box empty	162801722

* Recommended spare parts - Parti di ricambio consigliate

** Pièces détachées conseillées - Empfohlene Ersatzteile

** Motor spare parts: see motor lists - Parti di ricambio motore: vedi liste motore

** Pièces détachées Moteur : voir listes moteur - Motor-Ersatzteile: gem. Motorlisten

1-22SVF_5_Sept10_EdH

10SVF 2 Pole

ELP 2P		10SV01F007	10SV02F007	10SV03F011	10SV04F015	10SV05F022	10SV06F022	10SV07F030	10SV08F030	10SV09F040	10SV10F040
F Version	M->	1016L2691	1016L2701	1016L2711	1016L2721	1016L2731	1016L2741				
	T->	1016L1151	1016L1161	1016L1171	1016L1181	1016L1191	1016L1201	1016L1211	1016L1221	1016L1231	1016L1241
M->	M->	10SV11F040	10SV13F055	10SV15F055	10SV17F075	10SV18F075	10SV20F075	10SV21F110			
	T->	1016L1251	1016L1271	1016L1291	1016L1311	1016L1321	1016L1341	1016L1351			

Single Unit and Kit

10	Sleeve F-T	166444020	166444020	166444030	166444040	166444060	166444070	166444080	166444100	166444110	166444120
		166444140	166444160	166444190	166444220	166444230	166444260	166444270			
11	Shaft A304	165051020	165051020	165051030	165051040	165051060	165051070	165051080	165051100	165051110	165051120
		165051140	165051160B	165051190B	165051220B	165051230B	165051260B	165051270B			
31	Tie rods SVF Kit	KL22AM2	KL22AM2	KL22AB4	KL22AM4	KL22AM6	KL22AM7	KL22AM8	KL22ANA	KL22AB9	KL22ANC
		KL22ANE	KL22ANG	KL22ANL	KL22ANP	KL22ANQ	KL22ANT	KL22ANU			

Motor, Coupling, Motor Adaptor

Motor power kW >	0,75	1,1	1,5	2,2	2,2	3,0	3,0	4,0	4,0
kW >	4,0	5,5	5,5	7,5	7,5	7,5	11,0		

**1	kW ->	0,75	1,1	1,5	2,2	3,0	4,0	5,5	7,5	11,0
	Motor 2 P, 1~>	107230100	107230120	107230180	50004HD00					
	Motor 2 P, 3 ->	107230150	107230500	50000RD00	50001RD00	50002RF00	50008VG00	50013VE00	50017VB00	50019VE00
2	Adaptor	161470800	161470800	161470820	161470820	161470840	161470840	161470860	161470860	161470880
23	Lifting bracket	-	-	-	-	-	-	161441050	161441050	161441060
26	Coupling	KL10ABG	KL10ABG	KL10ABH	KL10ABH	KL10ABK	KL10ABK	KL10ABZ	KL10ABZ	KL10AB0
27	Coupling guard	KL33AAR	KL33AAR	KL33AAS	KL33AAS	KL33AAT	KL33AAT	KL33AAU	KL33AAU	KL33AAU

Wear Parts Kit

up to model (->)	->10SV09	->10SV16	->10SV21
up to model (->)	1 bearing	2 bearing	3 bearing
*34 Wear parts	KL35AER	KL35AES	KL35AET

Mechanical seal Kit : Mech seal D16 + OR

*20A	Materials->	Q1BEGG	KL01AAE	Std -> Seal Q1BEGG - sleeve OR EPDM / Unbalanced : 10-15-22SV < / = 4 kW
		Q1Q1EGG	KL01AC8	
		Q1BVGG	KL01AAH	
		Q1Q1VGG	KL01ADA	
		Q1CTGG	KL01ADC	
		Q1Q1TGG	KL01ADE	
*20	Materials->	Q1BEGG	KL01AD7	Std -> Seal Q1BEGG - upper holder OR EPDM / Balanced : 10-15-22SV = / > 5,5 kW
		Q1Q1EGG	KL01AD3	
		Q1BVGG	KL01AD2	
		Q1Q1VGG	KL01AD4	
		Q1CTGG	KL01AD9	
		Q1Q1TGG	KL01AEA	

Common, Single Unit and Kit

3	Base	161431330	-> 10SV
4	Plugs	EPDM	KL34AAT
		FPM	KL34AAL
		FEP	KL34AAM
5	Upper holder	-	Up to 4,0 kW included
		160103710	Over 5,5 kW
		160103730	Part with hole for tap
*9	Impeller10 SV A304	150703630	
13	Seal housing disc	150102940	Up to 4,0 kW included
		150102960	Over 5,5 kW
14	Pump body	151302450	
15	Diffuser	152803130	
16	Last stage diffuser	152803030	
17	First stage box	152802930	
*21	OR	EPDM	KL02AA4
		FPM	KL02AA5
		FEP	KL02AA6
24	Motor flange	-	
25	Kit oval flange OR EPDM	-	
	Kit oval flange OR FPM	-	
30	Impellers retainer	KL41AA1	Unbalanced : 10-15-22SV < / = 4 kW
30	Bush seal kit	KL41AA1	Balanced : 10-15-22SV = / > 5,5 kW

* Recommended spare parts - Parti di ricambio consigliate

* Pièces détachées conseillées - Emptohlne Ersatzteile

** Motor spare parts: see motor lists - Parti di ricambio motore: vedi liste motore

** Pièces détachées Moteur : voir listes moteur - Motor-Ersatzteile: gem. Motorlisten

1-22SVF_5_Sept10_EdH

10SVF 4 Pole

ELP 4P, 3 ~		10SV04F0054	10SV06F0054	10SV08F0054	10SV10F0054	10SV13F0074	10SV15F0074	10SV17F0114	10SV19F0114	10SV21F0114
Version F	T ~>	1016L4061	1016L4081	1016L4101	1016L4121	1016L4151	1016L4171	1016L4191	1016L4211	1016L4231

Single Unit and Kit

10	Sleeve F-T	166444040	166444070	166444100	166444120	166444160	166444190	166444220	166444240	166444270
11	Shaft A304	165051040	165051070	165051100	165051120	165051160	165051190	165051220	165051240	165051270
31	Tie rods SVF K	KL22AM4	KL22AM7	KL22ANA	KL22ANC	KL22ANG	KL22ANL	KL22ANP	KL22ANR	KL22ANU

Motor, Coupling, Motor Adaptor

Mot.power, kW >	0,55	0,55	0,55	0,55	0,75	0,75	1,1	1,1	1,1
**1	kW >	0,55	0,75	1,1					
	Motor 4P ->	107230760	107230820	50005RD00					
2	Adaptor	161470800	161470800	161470820					
23	Lifting bracket	-	-	-					
26	Coupling	KL10ABG	KL10ABG	KL10ABH					
27	Coupling guard	KL33AAR	KL33AAR	KL33AAS					

Wear Parts Kit

up to model (->)	->10SV09	->10SV16	->10SV21	
*34	Wear parts	KL35AER	KL35AES	KL35AET

Mechanical seal Kit : Mech seal D16 + OR

*20A	Materials->	Q1BEGG	KL01AAE	Std -> Seal Q1BEGG - sleeve OR EPDM / Unbalanced : 10-15-22SV < / = 4 kW
		Q1Q1EGG	KL01AC8	
		Q1BVGG	KL01AAH	
		Q1Q1VGG	KL01ADA	
		Q1CTGG	KL01ADC	
		Q1Q1TGG	KL01ADE	

Common, Single Unit and Kit

3	Base	161431330	-> 10SV
4	Plugs	EPDM	KL34AAT
		FPM	KL34AAL
		FEP	KL34AAM
5	Upper holder	-	
*9	Impeller10 SV A304	150703630	
13	Seal housing disc	150102940	
14	Pump body	151302450	
15	Diffuser	152803130	
16	Last stage diffuser	152803030	
17	First stage box	152802930	
*21	OR	EPDM	KL02AA4
		FPM	KL02AA5
		FEP	KL02AA6
			All Versions, wear OR not included
24	Motor flange	-	
30	Impellers retainer	KL41AAY	

Parts 10SV with less impellers

-> both SV el.pumps 2 - 4 Pole

	Spacer in place of impeller	162503852
	Diffuser box empty	162801632
	Last stage diffuser box empty	162801752

* Recommended spare parts - Parti di ricambio consigliate

* Pièces détachées conseillées - Empfohlene Ersatzteile

** Motor spare parts: see motor lists - Parti di ricambio motore: vedi liste motore

** Pièces détachées Moteur : voir listes moteur - Motor-Ersatzteile: gem. Motorlisten

1-22SVF_5_Sept10_EdH

15SVF 2 Pole

ELP 2P		15SV01F011	15SV02F022	15SV03F030	15SV04F040	15SV05F040	15SV06F055	15SV07F055	15SV08F075	15SV09F075	15SV10F110
F Version	M-->	1016L2781	1016L2791								
	T-->	1016L1401	1016L1411	1016L1421	1016L1431	1016L1441	1016L1451	1016L1461	1016L1471	1016L1481	1016L1491
		15SV11F110	15SV13F110	15SV15F150	15SV17F150						
	M-->										
	T-->	1016L1501	1016L1521	1016L1541	1016L1561						

Single Unit and Kit

10	Sleeve F - T	166444030	166444030	166444050	166444070	166444090	166444110	166444130	166444150	166444170	166444190
		166444210	166444250	166444290	166444330						
11	Shaft A304	165051030	165051030	165051050	165051070	165051090	165051100B	165051130B	165051150B	165051170B	165051190B
		165051210B	165051250B	165051290B	165051330B						
31	Tie rods SVF Kit	KL22AB4	KL22AB4	KL22AM5	KL22AM7	KL22AM9	KL22AB9	KL22AND	KL22ANF	KL22ANH	KL22ANL
		KL22ANN	KL22ANS	KL22ANW	KL22ANX						

Motor, Coupling, Motor Adaptor

Motor power	1,1	2,2	3,0	4,0	4,0	5,5	5,5	7,5	7,5	11,0
kW >	11,0	11,0	15,0	15,0						

**1	kW ->	1,1	2,2	3,0	4,0	5,5	7,5	11,0	15,0
	Motor 2 P, 1- >	107230120	50004HD00						
	Motor 2 P, 3 ->	107230500	50001RD00	50002RF00	50008VG00	50013VE00	50017VB00	50019VE00	50024VB00
2	Adaptor	161470800	161470820	161470840	161470840	161470860	161470860	161470880	161470880
23	Lifting bracket	-	-	-	-	161441050	161441050	161441060	161441060
26	Coupling	KL10ABG	KL10ABH	KL10ABK	KL10ABK	KL10ABZ	KL10ABZ	KL10AB0	KL10AB0
27	Coupling guard	KL33AAR	KL33AAS	KL33AAT	KL33AAT	KL33AAU	KL33AAU	KL33AAU	KL33AAU

Wear Parts Kit

up to model (- >)	->15SV06	->15SV11	->15SV17
	1 bearing	2 bearing	3 bearing
*34 Wear parts	KL35AEU	KL35AEV	KL35AEW

Mechanical seal Kit : Mech seal D16 + OR

*20A	Materials->	Q1BEGG	KL01AAE	Std -> Seal Q1BEGG - sleeve OR EPDM / Unbalanced : 10-15-22SV < / = 4 kW
		Q1Q1EGG	KL01AC8	
		Q1BVGG	KL01AAH	
		Q1Q1VGG	KL01ADA	
		Q1CTGG	KL01ADC	
		Q1Q1TGG	KL01ADE	
*20	Materials->	Q1BEGG	KL01AD7	Std -> Seal Q1BEGG - upper holder OR EPDM / Balanced : 10-15-22SV = / > 5,5 kW
		Q1Q1EGG	KL01AD3	
		Q1BVGG	KL01AD2	
		Q1Q1VGG	KL01AD4	
		Q1CTGG	KL01AD9	
		Q1Q1TGG	KL01AEA	

Common, Single Unit and Kit

3	Base	161431350	-> 15-22SV
4	Plugs	EPDM	KL34AAT
		FPM	KL34AAL
		FEP	KL34AAM
5	Upper holder	-	Up to 4,0 kW included
		160103710	Over 5,5 kW
		160103730	Part with hole for tap
*9	Impeller 15SV A304	150703640	
13	Seal housing disc	150102940	Up to 4,0 kW included
		150102960	Over 5,5 kW
14	Pump body	151302600	
15	Diffuser	152803150	
16	Last stage diffuser	152803050	
17	First stage box	152802950	
*21	OR	EPDM	KL02AA4
		FPM	KL02AA5
		FEP	KL02AA6
24	Motor flange	-	
25	Kit oval flange OR EPDM	-	
	Kit oval flange OR FPM	-	
30	Impellers retainer	KL41AAY	Unbalanced : 10-15-22SV < / = 4 kW
30	Bush seal kit	KL41AA1	Balanced : 10-15-22SV = / > 5,5 kW

* Recommended spare parts - Parti di ricambio consigliate

* Pièces détachées conseillées - Empfohlene Ersatzteile

** Motor spare parts: see motor lists - Parti di ricambio motore: vedi liste motore

** Pièces détachées Moteur : voir listes moteur - Motor-Ersatzteile: gem. Motorlisten

15SVF 4 Pole

ELP 4P, 3 ~							
F Version	15SV05F0054	15SV07F0074	15SV09F0114	15SV11F0114	15SV13F0154	15SV15F0154	15SV17F0224
T ~>	1016L4321	1016L4341	1016L4361	1016L4381	1016L4401	1016L4421	1016L4441

Single Unit and Kit

10	Sleeve F-T	166444030	166444030	166444050	166444070	166444090	166444110	166444130
11	Shaft A304	165051030	165051030	165051050	165051070	165051090	165051110B	165051130B
31	Tie rods SVF Kit	KL22AM9	KL22AND	KL22ANH	KL22ANN	KL22ANS	KL22ANW	KL22ANX

Motor, Coupling, Motor Adaptor

Mot.power, kW >	0,55	0,75	0,95	1,1	1,5	1,5	2,2
-----------------	------	------	------	-----	-----	-----	-----

**1	kw >	0,55	0,75	1,1	1,5	2,2
	Motor 4P ->	107230760	107230820	50005RD00	50006RD00	50010RD00
2	Adaptor	161470800	161470800	161470820	161470820	161470840
23	Lifting bracket	-	-	-	-	-
26	Coupling	KL10ABG	KL10ABG	KL10ABH	KL10ABH	KL10ABK
27	Coupling guard	KL33AAR	KL33AAR	KL33AAS	KL33AAS	KL33AAT

Wear Parts Kit

		->15SV06	->15SV11	->15SV17
up to model (->)		1 bearing	2 bearing	3 bearing
*34	Wear parts	KL35AEU	KL35AEV	KL35AEW

Mechanical seal Kit : Mech seal D16 + OR

*20A	Materials->	Q1BEGG	KL01AAE	Std -> Seal Q1BEGG - sleeve OR EPDM / Unbalanced : 10-15-22SV < / = 4 kW
		Q1Q1EGG	KL01AC8	
		Q1BVGG	KL01AAH	
		Q1Q1VGG	KL01ADA	
		Q1CTGG	KL01ADC	
		Q1Q1TGG	KL01ADE	

Common, Single Unit and Kit

3	Base	161431350	-> 15-22SV
4	Plugs	EPDM	KL34AAT
		FPM	KL34AAL
		FEP	KL34AAM
5	Upper holder	-	
*9	Impeller 15SV A304	150703640	
13	Seal housing disc	150102940	
14	Pump body	151302600	
15	Diffuser	152803150	
16	Last stage diffuser	152803050	
17	First stage box	152802950	
*21	OR	EPDM	KL02AA4
		FPM	KL02AA5
		FEP	KL02AA6
24	Motor flange	-	
30	Impellers retainer	KL41AAY	

Parts 15-22SV with less impellers

-> both SV el.pumps 2 - 4 Pole

	Spacer in place of impeller	162503872
	Diffuser box empty	162801652
	Last stage diffuser box empty	162801752

* Recommended spare parts - Parti di ricambio consigliate

* Pièces détachées conseillées - Empfohlene Ersatzteile

** Motor spare parts: see motor lists - Parti di ricambio motore: vedi liste motore

** Pièces détachées Moteur : voir listes moteur - Motor-Ersatzteile: gem. Motorlisten

1-22SVF_5_Sept10_EdH

22SVF 2 Pole

ELP 2P		22SV01F011	22SV02F022	22SV03F030	22SV04F040	22SV05F055	22SV06F075	22SV07F075	22SV08F110	22SV09F110	22SV10F110
F Version	M ~>	1016L2831	1016L2841								
	T ~>	1016L1611	1016L1621	1016L1631	1016L1641	1016L1651	1016L1661	1016L1671	1016L1681	1016L1691	1016L1701
		22SV12F150	22SV14F150	22SV17F185							
	M ~>										
	T ~>	1016L1721	1016L1741	1016L1771							

Single Unit and Kit

10	Sleeve F-T	166444030	166444030	166444050	166444070	166444090	166444110	166444130	166444150	166444170	166444190
		166444230	166444270	166444330							
11	Shaft A304	165051030	165051030	165051050	165051070	165051090B	165051110B	165051130B	165051150B	165051170B	165051190B
		165051230B	165051270B	165051330B							
31	Tie rods SVF Kit	KL22AB4	KL22AB4	KL22AM5	KL22AM7	KL22AM9	KL22AB9	KL22AND	KL22ANF	KL22ANH	KL22ANL
		KL22ANQ	KL22ANU	KL22ANX							

Motor, Coupling, Motor Adaptor

Motor power kW >	1,1	2,2	3,0	4,0	5,5	7,5	7,5	11,0	11,0	11,0
	15,0	15,0	18,5							

**1	kW ->	1,1	2,2	3,0	4,0	5,5	7,5	11,0	15,0	18,5
	Motor 2 P, 1- >	107230120	50004HD00							
	Motor 2 P, 3 ->	107230500	50001RD00	50002RF00	50008VG00	50013VE00	50017VB00	50019VE00	50024VB00	50025VB00
2	Adaptor	161470800	161470820	161470840	161470840	161470860	161470860	161470880	161470880	161470880
23	Lifting bracket	-	-	-	-	161441050	161441050	161441060	161441060	161441060
26	Coupling	KL10ABG	KL10ABH	KL10ABK	KL10ABK	KL10ABZ	KL10ABZ	KL10AB0	KL10AB0	KL10AB0
27	Coupling guard	KL33AAR	KL33AAS	KL33AAT	KL33AAU	KL33AAU	KL33AAU	KL33AAU	KL33AAU	KL33AAU

Wear Parts Kit

up to model (- >)	->22SV06	->22SV11	->22SV17	
*34	Wear parts	KL35AEU	KL35AEV	KL35AEW

Mechanical seal Kit : Mech seal D16 + OR

*20A	Materials->	Q1BEGG	KL01AAE	Std -> Seal Q1BEGG - sleeve OR EPDM / Unbalanced : 10-15-22SV < / = 4 kW
		Q1Q1EGG	KL01AC8	
		Q1BVGG	KL01AAH	
		Q1Q1VGG	KL01ADA	
		Q1CTGG	KL01ADC	
*20	Materials->	Q1BEGG	KL01AD7	Std -> Seal Q1BEGG - upper holder OR EPDM / Balanced : 10-15-22SV = / > 5,5 kW
		Q1Q1EGG	KL01AD3	
		Q1BVGG	KL01AD2	
		Q1Q1VGG	KL01AD4	
		Q1CTGG	KL01AD9	
		Q1Q1TGG	KL01AEA	

Common, Single Unit and Kit

3	Base	161431350	-> 15-22SV
4	Plugs	EPDM	KL34AAT
		FPM	KL34AAL
		FEP	KL34AAM
5	Upper holder	-	Up to 4,0 kW included
		160103710	Over 5,5 kW
		160103730	Part with hole for tap
*9	Impeller 22SV A304	150703650	
13	Seal housing disc	150102940	Up to 4,0 kW included
	Seal housing disc	150102960	Over 5,5 kW
14	Pump body	151302600	
15	Diffuser	152803150	
16	Last stage diffuser	152803050	
17	First stage box	152802950	
*21	OR	EPDM	KL02AA4
		FPM	KL02AA5
		FEP	KL02AA6
24	Motor flange	-	
25	Kit oval flange OR EPDM	-	
	Kit oval flange OR FPM	-	
30	Impellers retainer	KL41AAZ	Unbalanced : 10-15-22SV < / = 4 kW
30	Bush seal kit	KL41AA1	Balanced : 10-15-22SV = / > 5,5 kW

* Recommended spare parts - Parti di ricambio consigliate

* Pièces détachées conseillées - Empfohlene Ersatzteile

** Motor spare parts: see motor lists - Parti di ricambio motore: vedi liste motore

** Pièces détachées Moteur : voir listes moteur - Motor-Ersatzteile: gem. Motorlisten

22SVF 4 Pole

ELP 4P, 3 ~							
F Version	22SV04F0054	22SV06F0114	22SV08F0114	22SV10F0154	22SV12F0224	22SV14F0224	22SV17F0304
T ~>	1016L4521	1016L4541	1016L4561	1016L4581	1016L4601	1016L4621	1016L4651

Single Unit and Kit

10	Sleeve F-T	166444070	166444110	166444150	166444190	166444230	166444270	166444330
11	Shaft A304	165051070	165051110	165051150	165051190	165051230	165051270	165051330
31	Tie rods SVF Kit	KL22AM7	KL22AB9	KL22ANF	KL22ANL	KL22ANQ	KL22ANU	KL22ANX

Motor, Coupling, Motor Adaptor

Mot.power, kW >	0,55	1,1	1,5	1,5	2,2	2,2	3,0
-----------------	------	-----	-----	-----	-----	-----	-----

**1	kW >	0,55	1,1	1,5	2,2	3,0
	Motor 4P ->	107230760	50005RD00	50006RD00	50010RD00	50011RD00
2	Adaptor	161470800	161470820	161470820	161470840	161470840
23	Lifting bracket	-	-	-	-	-
26	Coupling	KL10ABG	KL10ABH	KL10ABH	KL10ABK	KL10ABK
27	Coupling guard	KL33AAR	KL33AAS	KL33AAS	KL33AAT	KL33AAT

Wear Parts Kit

		->22SV06	->22SV11	->22SV17
up to model (->)		1 bearing	2 bearing	3 bearing
*34	Wear parts	KL35AEU	KL35AEV	KL35AEW

Mechanical seal Kit : Mech seal D16 + OR

*20A	Materials->	Q1BEGG	KL01AAE	Std -> Seal Q1BEGG - sleeve OR EPDM / Unbalanced : 10-15-22SV < / = 4 kW
		Q1Q1EGG	KL01AC8	
		Q1BVGG	KL01AAH	
		Q1Q1VGG	KL01ADA	
		Q1CTGG	KL01ADC	
		Q1Q1TGG	KL01ADE	

Common, Single Unit and Kit

3	Base	161431350	-> 15-22SV
4	Plugs	EPDM	KL34AAT
		FPM	KL34AAL
		FEP	KL34AAM
5	Upper holder	-	
*9	Impeller 22SV A304	150703650	
13	Seal housing disc	150102940	
14	Pump body	151302600	-> 15-22SVF
15	Diffuser	152803150	
16	Last stage diffuser	152803050	
17	First stage box	152802950	
*21	OR	EPDM	KL02AA4
		FPM	KL02AA5
		FEP	KL02AA6
24	Motor flange	-	
30	Impellers retainer	KL41AAY	

Parts 15-22SV with less impellers

-> both SV el.pumps 2 - 4 Pole

	Spacer in place of impeller	162503872
	Diffuser box empty	162801652
	Last stage diffuser box empty	162801752

* Recommended spare parts - Parti di ricambio consigliate

* Pièces détachées conseillées - Emprohne ersatzteile

** Motor spare parts: see motor lists - Parti di ricambio motore: vedi liste motore

** Pièces détachées Moteur : voir listes moteur - Motor-Ersatzteile: gem. Motorlisten

Specific components related to **1SV F-T-R 2 Pole**

ELP 2 P											
F Version	M ~ >	1SV02F003	1SV03F003	1SV04F003	1SV05F003	1SV06F003	1SV07F003	1SV08F005	1SV09F005	1SV10F005	1SV11F005
	T ~ >	1016L1831	1016L1841	1016L1851	1016L1861	1016L1871	1016L1881	1016L1891	1016L1901	1016L1911	1016L1921
		1016L0011	1016L0021	1016L0031	1016L0041	1016L0051	1016L0061	1016L0071	1016L0081	1016L0091	1016L0101
		1SV12F007	1SV13F007	1SV15F007	1SV17F011	1SV19F011	1SV22F011	1SV25F015	1SV27F015	1SV30F015	1SV32F022
	M ~ >	1016L1931	1016L1941	1016L1961	1016L1981	1016L2001	1016L2031	1016L2061	1016L2081	1016L2111	1016L2131
	T ~ >	1016L0111	1016L0121	1016L0141	1016L0161	1016L0181	1016L0211	1016L0241	1016L0261	1016L0291	1016L0311
		1SV34F022	1SV37F022								
	M ~ >	1016L2151	1016L2181								
	T ~ >	1016L0331	1016L0361								
	T Version	M ~ >	1SV02T003	1SV03T003	1SV04T003	1SV05T003	1SV06T003	1SV07T003	1SV08T005	1SV09T005	1SV10T005
T ~ >		1016L1830	1016L1840	1016L1850	1016L1860	1016L1870	1016L1880	1016L1890	1016L1900	1016L1910	1016L1920
		1016L0010	1016L0020	1016L0030	1016L0040	1016L0050	1016L0060	1016L0070	1016L0080	1016L0090	1016L0100
		1SV12T007	1SV13T007	1SV15T007	1SV17T011	1SV19T011	1SV22T011	1SV25T015			
M ~ >		1016L1930	1016L1940	1016L1960	1016L1980	1016L2000	1016L2030	1016L2060			
T ~ >		1016L0110	1016L0120	1016L0140	1016L0160	1016L0180	1016L0210	1016L0240			
M ~ >											
T ~ >											
R Version		M ~ >	1SV02R003	1SV03R003	1SV04R003	1SV05R003	1SV06R003	1SV07R003	1SV08R005	1SV09R005	1SV10R005
	T ~ >						1016L1883	1016L1893	1016L1903	1016L1913	1016L1923
							1016L0063	1016L0073	1016L0083	1016L0093	1016L0103
		1SV12R007	1SV13R007	1SV15R007	1SV17R011	1SV19R011	1SV22R011	1SV25R015	1SV27R015	1SV30R015	1SV32R022
	M ~ >	1016L1933	1016L1943	1016L1963	1016L1983	1016L2003	1016L2033	1016L2063	1016L2083	1016L2113	1016L2133
	T ~ >	1016L0113	1016L0123	1016L0143	1016L0163	1016L0183	1016L0213	1016L0243	1016L0263	1016L0293	1016L0313
		1SV34F022	1SV37F022								
	M ~ >	1016L2153	1016L2183								
	T ~ >	1016L0333	1016L0363								

Single Unit and Kit

10	Sleeve F-T	166443040	166443040	166443060	166443070	166443080	166443100	166443120	166443140	166443150	166443160
		166443180	166443200	166443230	166443260	166443300	166443340	166443390	166443420	166443470	166443500
		166443540	166443580								
	Sleeve R						156500060	156500070	156500080	156500090	156500100
		156500110	156500120	156500140	156500160	156500180	156500210	156500240	156500260	156500290	156500310
		156500330	156500360								

Common, Single Unit and kit

3	Base	161431310	-> 1-3-5SVF-R
		161431300	-> 1-3-5SVT
14	Pump body	151302340	-> 1-3-5SV T / DN 25
		151302320	-> 1-3SVF
		151302330	-> 1-3SVR
25	Kit oval flange OR EPDM	KL20AAF	
	Kit oval flange OR FPM	KL20AAL	-> 1-3SV T

Service kit

-	Pump stack 1SVF EPDM	102882011	102882021	102882031	102882041	102882051	102882061	102882071	102882081	102882091	102882101
		102882111	102882121	102882141	102882161	102882181	102882211	102882241	102882261	102882291	102882311
		102882331	102882361								

1SV F 4 Pole

ELP 4 P, 3 ~											
F Version	T ~ >	1SV02F0024	1SV05F0024	1SV08F0024	1SV11F0024	1SV15F0024	1SV19F0024	1SV22F0024	1SV27F0024	1SV30F0024	1SV34F0024
		1016L2891	1016L2921	1016L2951	1016L2981	1016L3021	1016L3061	1016L3091	1016L3141	1016L3171	1016L3211
	T ~ >	1SV37F0024									
		1016L3241									

Service kit

-		102882011	102882041	102882071	102882101	102882141	102882181	102882211	102882261	102882291	102882331
		102882361									

For common components pls see spare part lists 1-22SV F 2 pole

* Recommended spare parts - Parti di ricambio consigliate

* Pièces détachées conseillées - Empfohlene Ersatzteile

** Motor spare parts: see motor lists - Parti di ricambio motore: vedi liste motore

** Pièces détachées Moteur : voir listes moteur - Motor-Ersatzteile: gem. Motorlisten

Specific components related to **3SV F-T-R 2 Pole**

ELP 2 P		3SV02F003	3SV03F003	3SV04F003	3SV05F005	3SV06F005	3SV07F007	3SV08F007	3SV09F011	3SV10F011	3SV11F011
F Version	M ~ >	1016L2231	1016L2241	1016L2251	1016L2261	1016L2271	1016L2281	1016L2291	1016L2301	1016L2311	1016L2321
	T ~ >	1016L0421	1016L0431	1016L0441	1016L0451	1016L0461	1016L0471	1016L0481	1016L0491	1016L0501	1016L0511
		3SV12F011	3SV13F015	3SV14F015	3SV16F015	3SV19F022	3SV21F022	3SV23F022	3SV25F022	3SV27F030	3SV29F030
	M ~ >	1016L2331	1016L2341	1016L2351	1016L2371	1016L2401	1016L2421	1016L2441	1016L2461		
	T ~ >	1016L0521	1016L0531	1016L0541	1016L0561	1016L0591	1016L0611	1016L0631	1016L0651	1016L0671	1016L0691
		3SV31F030	3SV33F030								
	M ~ >										
	T ~ >	1016L0711	1016L0731								
T Version	M ~ >	3SV02T003	3SV03T003	3SV04T003	3SV05T005	3SV06T005	3SV07T007	3SV08T007	3SV09T011	3SV10T011	3SV11T011
	M ~ >	1016L2230	1016L2240	1016L2250	1016L2260	1016L2270	1016L2280	1016L2290	1016L2300	1016L2310	1016L2320
	T ~ >	1016L0420	1016L0430	1016L0440	1016L0450	1016L0460	1016L0470	1016L0480	1016L0490	1016L0500	1016L0510
		3SV12T011	3SV13T015	3SV14T015	3SV16T015	3SV19T022	3SV21T022				
	M ~ >	1016L2330	1016L2340	1016L2350	1016L2370	1016L2400	1016L2420				
	T ~ >	1016L0520	1016L0530	1016L0540	1016L0560	1016L0590	1016L0610				
	M ~ >										
	T ~ >										
R Version	M ~ >						3SV07R007	3SV08R007	3SV09R011	3SV10R011	3SV11R011
	T ~ >	1016L0423	1016L0433	1016L0443	1016L0453	1016L0463	1016L2283	1016L2293	1016L2303	1016L2313	1016L2323
		3SV12R011	3SV13R015	3SV14R015	3SV16R015	3SV19R022	3SV21R022	3SV23R022	3SV25R022	3SV27R030	3SV29R030
	M ~ >	1016L2333	1016L2343	1016L2353	1016L2373	1016L2403	1016L2423	1016L2443	1016L2463		
	T ~ >	1016L0523	1016L0533	1016L0543	1016L0563	1016L0593	1016L0613	1016L0633	1016L0653	1016L0673	1016L0693
		3SV31R030	3SV33R030								
	M ~ >										
	T ~ >	1016L0713	1016L0733								

Single Unit and Kit

10	Sleeve F-T	166443040	166443040	166443060	166443070	166443080	166443100	166443120	166443140	166443150	166443160
		166443180	166443200	166443220	166443240	166443300	166443320	166443360	166443390	166443420	166443460
		166443480	166443520								
	Sleeve R						156500060	156500070	156500080	156500090	156500100
		156500110	156500120	156500130	156500150	156500180	156500200	156500220	156500240	156500260	156500280
		156500300	156500320								

Common, Single Unit and kit

3	Base	161431310	-> 1-3-5SVF-R
		161431300	-> 1-3-5SVT
14	Pump body	151302340	-> 1-3-5SV T
		151302320	-> 1-3SVF
		151302330	-> 1-3SVR
25	Kit oval flange OR EPDM	KL20AAF	
	Kit oval flange OR FPM	KL20AAL	-> 1-3SV T

Service Kit

-	Pump stack 3SVF EPDM	102882411	102882421	102882431	102882441	102882451	102882461	102882471	102882481	102882491	102882501
		102882511	102882521	102882531	102882551	102882581	102882601	102882621	102882641	102882661	102882681
		102882701	102882721								

3SV F 4 Pole

ELP 4 P, 3 ~		3SV02F0024	3SV05F0024	3SV08F0024	3SV11F0024	3SV14F0024	3SV19F0024	3SV23F0024	3SV27F0034	3SV33F0034
F Version	T ~ >	1016L3301	1016L3331	1016L3361	1016L3391	1016L3421	1016L3471	1016L3511	1016L3551	1016L3611

Service Kit

-	Pump stack 3SVF EPDM	102882411	102882441	102882471	102882501	102882531	102882581	102882621	102882661	102882721
---	----------------------	-----------	-----------	-----------	-----------	-----------	-----------	-----------	-----------	-----------

For common components pls see spare part lists 1-22SV F 2 pole

* Recommended spare parts - Parti di ricambio consigliate

* Pièces détachées conseillées - Empfohlene Ersatzteile

** Motor spare parts: see motor lists - Parti di ricambio motore: vedi liste motore

** Pièces détachées Moteur : voir listes moteur - Motor-Ersatzteile: gem. Motorlisten

Specific components related to

5SV F-T-R 2 Pole

Production date >Sept 2010

ELP 2 P		5SV02F003	5SV03F005	5SV04F005	5SV05F007	5SV06F011	5SV07F011	5SV08F011	5SV09F015	5SV10F015	5SV11F015
F Version	M ~ >	1016L2511	1016L2521	1016L2531	1016L2541	1016L2551	1016L2561	1016L2571	1016L2581	1016L2591	1016L2601
	T ~ >	1016L0791	1016L0801	1016L0811	1016L0821	1016L0831	1016L0841	1016L0851	1016L0861	1016L0871	1016L0881
		5SV12F022	5SV13F022	5SV14F022	5SV15F022	5SV16F022	5SV18F030	5SV21F030	5SV23F040	5SV25F040	5SV28F040
	M ~ >	1016L2611	1016L2621	1016L2631	1016L2641	1016L2651					
	T ~ >	1016L0891	1016L0901	1016L0911	1016L0921	1016L0931	1016L0951	1016L0981	1016L1001	1016L1021	1016L1051
		5SV30F055	5SV33F055								
	M ~ >										
	T ~ >	1016L1071	1016L1101								
T Version	M ~ >	1016L2510	1016L2520	1016L2530	1016L2540	1016L2550	1016L2560	1016L2570	1016L2580	1016L2590	1016L2600
	T ~ >	1016L0790	1016L0800	1016L0810	1016L0820	1016L0830	1016L0840	1016L0850	1016L0860	1016L0870	1016L0880
		5SV12T022	5SV13T022	5SV14T022	5SV15T022	5SV16T022	5SV18T030	5SV21T030			
	M ~ >	1016L2610	1016L2620	1016L2630	1016L2640	1016L2650					
	T ~ >	1016L0890	1016L0900	1016L0910	1016L0920	1016L0930	1016L0950	1016L0980			
	M ~ >										
	T ~ >										
R Version	M ~ >						5SV07R011	5SV08R011	5SV09R015	5SV10R015	5SV11R015
	T ~ >						1016L2563	1016L2573	1016L2583	1016L2593	1016L2603
							1016L0843	1016L0853	1016L0863	1016L0873	1016L0883
		5SV12R022	5SV13R022	5SV14R022	5SV15R022	5SV16R022	5SV18R030	5SV21R030	5SV23R040	5SV25R040	5SV28R040
	M ~ >	1016L2613	1016L2623	1016L2633	1016L2643	1016L2653					
	T ~ >	1016L0893	1016L0903	1016L0913	1016L0923	1016L0933	1016L0953	1016L0983	1016L1003	1016L1023	1016L1053
		5SV30R055	5SV33R055								
	M ~ >										
	T ~ >	1016L1073	1016L1103								

Single Unit and Kit

10	Sleeve F-T	166443030	166443050	166443070	166443090	166443110	166443130	166443150	166443170	166443190	166443210	
		166443230	166443250	166443270	166443290	166443310	166443330	166443350	166443370	166443390	166443410	166443430
		166443590	166443650									
	Sleeve R						156500630	156500650	156500670	156500690	156500710	
		156500730	156500750	156500770	156500790	156500810	156500850	156500910	156500100	156500990	156501050	
		156501090	156501150									

Common, Single Unit and kit

3	Base	161431310	-> 1-3-5SVF-R
		161431300	-> 1-3-5SVT
14	Pump body	151302340	-> 1-3-5SV T
		151302400	-> 5SVF
		151302410	-> 5SVR
25	Kit oval flange OR EPDM	KL20AAG	
	Kit oval flange OR FPM	KL20AAM	-> 5SV T

Service Kit

-	Pump stack 5SVF EPDM	102882781	102882791	102882801	102882811	102882821	102882831	102882841	102882851	102882861	102882871
		102882881	102882891	102882901	102882911	102882921	102882941	102882971	102882991	102883011	102883041
		102883061	102883091								

5SV F 4 Pole

ELP 2 P		5SV03F0024	5SV06F0024	5SV09F0024	5SV12F0024	5SV15F0034	5SV18F0034	5SV21F0034	5SV25F0054	5SV28F0054	5SV33F0074
F Version	T ~ >	1016L3681	1016L3711	1016L3741	1016L3771	1016L3801	1016L3831	1016L3861	1016L3901	1016L3931	1016L3981

Service Kit

-	Pump stack 5SVF EPDM	102882791	102882821	102882851	102882881	102882911	102882941	102882971	102883011	102883041	102883091
---	----------------------	-----------	-----------	-----------	-----------	-----------	-----------	-----------	-----------	-----------	-----------

For common components pls see spare part lists 1-22SV F 2 pole

* Recommended spare parts - Parti di ricambio consigliate

* Pièces détachées conseillées - Empfohlene Ersatzteile

** Motor spare parts: see motor lists - Parti di ricambio motore: vedi liste motore

** Pièces détachées Moteur : voir listes moteur - Motor-Ersatzteile: gem. Motorlisten

1-22SVF_5_Sept10_EdH

Specific components related to **10SVF-T-R 2 Pole**

ELP 2P											
F Version	M->	10SV01F007	10SV02F007	10SV03F011	10SV04F015	10SV05F022	10SV06F022	10SV07F030	10SV08F030	10SV09F040	10SV10F040
	T->	1016L2691	1016L2701	1016L2711	1016L2721	1016L2731	1016L2741				
		1016L1151	1016L1161	1016L1171	1016L1181	1016L1191	1016L1201	1016L1211	1016L1221	1016L1231	1016L1241
		10SV11F040	10SV13F055	10SV15F055	10SV17F075	10SV18F075	10SV20F075	10SV21F110			
	T->	1016L1251	1016L1271	1016L1291	1016L1311	1016L1321	1016L1341	1016L1351			
T Version	M->	10SV01T007	10SV02T007	10SV03T011	10SV04T015	10SV05T022	10SV06T022	10SV07T030	10SV08T030	10SV09T040	10SV10T040
	T->	1016L2690	1016L2700	1016L2710	1016L2720	1016L2730	1016L2740				
		1016L1150	1016L1160	1016L1170	1016L1180	1016L1190	1016L1200	1016L1210	1016L1220	1016L1230	1016L1240
		10SV11T040	10SV13T055								
	T->	1016L1250	1016L1270								
R Version	M->					10SV05R022	10SV06R022	10SV07R030	10SV08R030	10SV09R040	10SV10R040
	T->					1016L2733	1016L2743				
						1016L1193	1016L1203	1016L1213	1016L1223	1016L1233	1016L1243
		10SV11R040	10SV13R055	10SV15R055	10SV17R075	10SV18R075	10SV20R075	10SV21R110			
	T->	1016L1253	1016L1273	1016L1293	1016L1313	1016L1323	1016L1343	1016L1353			

Single Unit and Kit

10	Sleeve F-T	166444020	166444020	166444030	166444040	166444060	166444070	166444080	166444100	166444110	166444120
	Sleeve R	166444140	166444160	166444190	166444220	166444230	166444260	166444270			
		156501450	156501470	156501490	156501510	156501520	156501540	156501550			

Common, Single Unit and kit

14	Pump body	151302470	-> 10SVT
		151302450	-> 10SVF
		151302460	-> 10SVR
25	Kit oval flange OR EPDM	KL20AAH	
	Kit oval flange OR FPM	KL20AAN	->10SV T

Service Kit

-	Pump stack 10SV	102883141	102883151	102883161	102883171	102883181	102883191	102883201	102883221	102883241	102883261
	EPDM	102883281	102883331	102883371	102883411	102883431	102883471	102883491			

10SVF 4 Pole

ELP 4P, 3 ~											
Version F	M->	10SV04F0054	10SV06F0054	10SV08F0054	10SV10F0054	10SV13F0074	10SV15F0074	10SV17F0114	10SV19F0114	10SV21F0114	
	T->	1016L4061	1016L4081	1016L4101	1016L4121	1016L4151	1016L4171	1016L4191	1016L4211	1016L4231	

Service Kit

-	Pump stack 10SV	102883171	102883191	102883221	102883261	TbD	TbD	TbD	TbD	TbD
	EPDM									

For common components pls see spare part lists 1-22SV F 2 pole

TbD: Part Number To be Defined

* Recommended spare parts - Parti di ricambio consigliate
 * Pièces détachées conseillées - Empfohlene Ersatzteile
 ** Motor spare parts: see motor lists - Parti di ricambio motore: vedi liste motore
 ** Pièces détachées Moteur : voir listes moteur - Motor-Ersatzteile: gem. Motorlisten

Specific components related to **15SVF-T-R 2 Pole**

ELP 2P											
F Version	15SV01F011	15SV02F022	15SV03F030	15SV04F040	15SV05F040	15SV06F055	15SV07F055	15SV08F075	15SV09F075	15SV10F110	
	M~>	1016L2781	1016L2791								
	T~>	1016L1401	1016L1411	1016L1421	1016L1431	1016L1441	1016L1451	1016L1461	1016L1471	1016L1481	1016L1491
		15SV11F110	15SV13F110	15SV15F150	15SV17F150						
	M~>										
T~>	1016L1501	1016L1521	1016L1541	1016L1561							
T Version	15SV01T011	15SV02T022	15SV03T030	15SV04T040	15SV05T040	15SV06T055	15SV07T055	15SV08T075	15SV09T075	15SV10T110	
	M~>	1016L2780	1016L2790								
	T~>	1016L1400	1016L1410	1016L1420	1016L1430	1016L1440	1016L1450	1016L1460	1016L1470	1016L1480	1016L1490
					15SV04R040	15SV05R040	15SV06R055	15SV07R055	15SV08R075	15SV09R075	15SV10R110
R Version	M~>										
	T~>				1016L1433	1016L1443	1016L1453	1016L1463	1016L1473	1016L1483	1016L1493
		15SV11R110	15SV13R110	15SV15R150	15SV17R150						
	M~>										
	T~>	1016L1503	1016L1523	1016L1543	1016L1563						

Single Unit and Kit

10	Sleeve F - T	166444030	166444030	166444050	166444070	166444090	166444110	166444130	166444150	166444170	166444190
		166444210	166444250	166444290	166444330						
	Sleeve R	156501800	156501820	156501840	156501860						

Common, Single Unit and kit

14	Pump body	151302470	-> 15-22SVT								
		151302600	-> 15-22SVF								
		151302610	-> 15-22SVR								
25	Kit oval flange OR EPDM	KL20AAK									
	Kit oval flange OR FPM	KL20AAP	->15-22SV T								

Service Kit

-	Pump stack 15SV EPDM	102883581	102883591	102883601	102883611	102883631	102883661	102883681	102883701	102883721	102883741
		102883761	102883801	102883841	102883881						

15SVF 4 Pole

ELP 4P, 3 ~							
F Version	15SV05F0054	15SV07F0074	15SV09F0114	15SV11F0114	15SV13F0154	15SV15F0154	15SV17F0224
	T~>	1016L4321	1016L4341	1016L4361	1016L4381	1016L4401	1016L4421

Service Kit

-	Pump stack 15SV EPDM	102883631	TbD	TbD	TbD	TbD	TbD	TbD

For common components pls see spare part lists 1-22SV F 2 pole

TbD: Part Number To be Defined

* Recommended spare parts - Parti di ricambio consigliate

* Pièces détachées conseillées - Empfohlene Ersatzteile

** Motor spare parts: see motor lists - Parti di ricambio motore: vedi liste motore

** Pièces détachées Moteur : voir listes moteur - Motor-Ersatzteile: gem. Motorlisten

Specific components related to **22SVF-T-R 2 Pole**

ELP 2P		22SV01F011	22SV02F022	22SV03F030	22SV04F040	22SV05F055	22SV06F075	22SV07F075	22SV08F110	22SV09F110	22SV10F110
F Version	M ~>	1016L2831	1016L2841								
	T ~>	1016L1611	1016L1621	1016L1631	1016L1641	1016L1651	1016L1661	1016L1671	1016L1681	1016L1691	1016L1701
		22SV12F150	22SV14F150	22SV17F185							
	M ~>										
T Version	T ~>	1016L1721	1016L1741	1016L1771							
	M ~>	22SV01T011	22SV02T022	22SV03T030	22SV04T040	22SV05T055	22SV06T075	22SV07T075	22SV08T110	22SV09T110	22SV10T110
	M ~>	1016L2830	1016L2840								
	T ~>	1016L1610	1016L1620	1016L1630	1016L1640	1016L1650	1016L1660	1016L1670	1016L1680	1016L1690	1016L1700
R Version	M ~>				22SV04R040	22SV05R055	22SV06R075	22SV07R075	22SV08R110	22SV09R110	22SV10R110
	T ~>				1016L1643	1016L1653	1016L1663	1016L1673	1016L1683	1016L1693	1016L1703
	M ~>	22SV12R150	22SV14R150	22SV17R185							
	T ~>	1016L1723	1016L1743	1016L1773							

Single Unit and Kit

10	Sleeve F-T	166444030	166444030	166444050	166444070	166444090	166444110	166444130	166444150	166444170	166444190
		166444230	166444270	166444330							
	Sleeve R				156501730	156501740	156501750	156501760	156501770	156501780	156501790
		156501810	156501830	156501860							

Common, Single Unit and Kit

14	Pump body	151302470	-> 15-22SVT								
		151302600	-> 15-22SVF								
		151302610	-> 15-22SVR								
25	Kit oval flange OR EPDM	KL20AAK									
	Kit oval flange OR FPM	KL20AAP	-> 15-22SVT								

Service Kit

-	Pump stack 22SV EPDM	102883971	102883981	102883991	102884011	102884041	102884061	102884081	102884101	102884121	102884141
		102884181	102884221	102884281							

22SVF 4 Pole

ELP 4P, 3 ~		22SV04F0054	22SV06F0114	22SV08F0114	22SV10F0154	22SV12F0224	22SV14F0224	22SV17F0304
F Version	T ~>	1016L4521	1016L4541	1016L4561	1016L4581	1016L4601	1016L4621	1016L4651

Service Kit

-	Pump stack 22SV EPDM	102884011	TbD	102884091	102884131	102884171	TbD	TbD

For common components pls see spare part lists 1-22SV F 2 pole

TbD: Part Number To be Defined

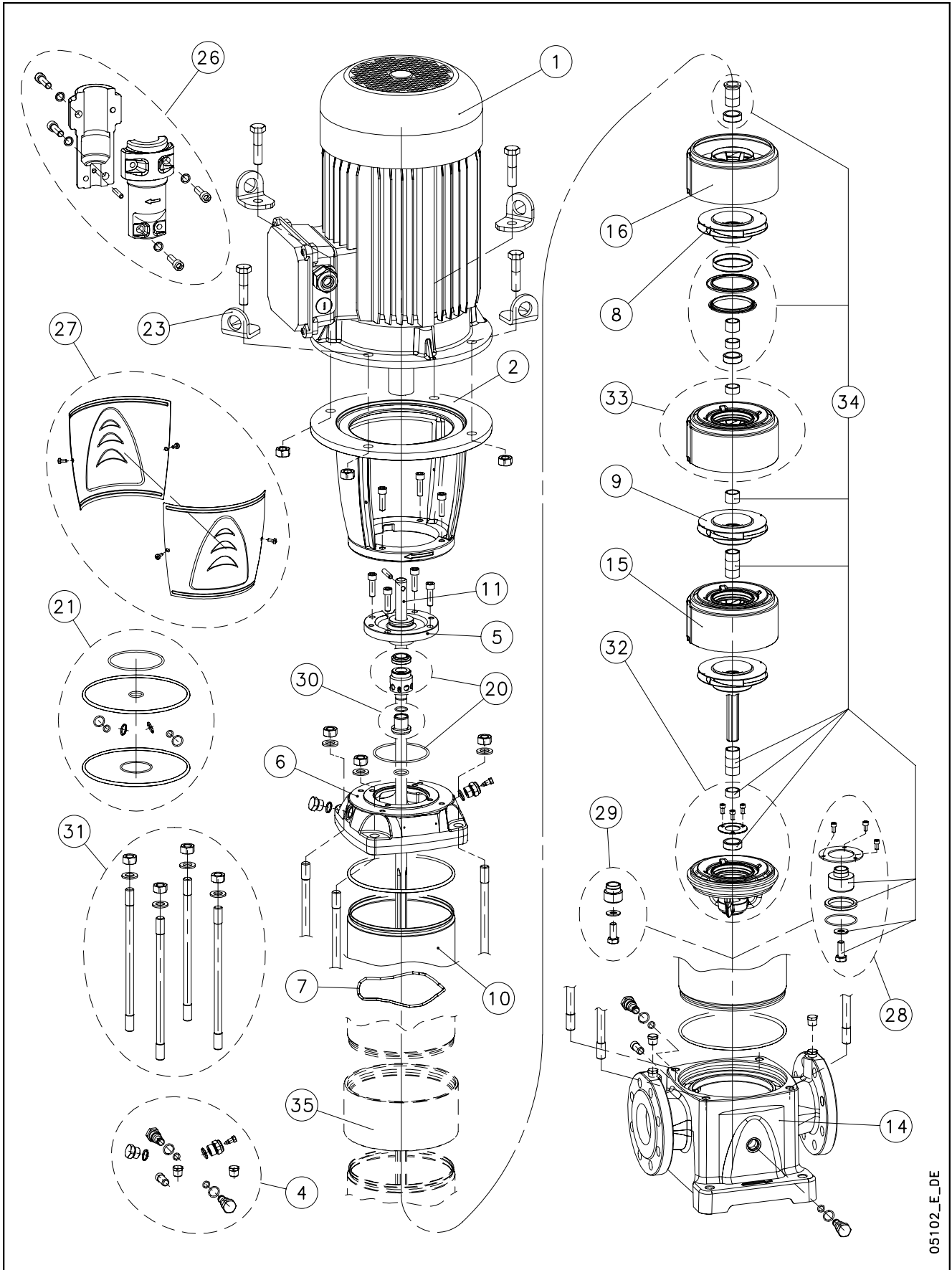
* Recommended spare parts - Parti di ricambio consigliate

* Pièces détachées conseillées - Empfohlene Ersatzteile

** Motor spare parts: see motor lists - Parti di ricambio motore: vedi liste motore

** Pièces détachées Moteur : voir listes moteur - Motor-Ersatzteile: gem. Motorlisten

33, 46, 66, 92 SV



05102_E_DE

Lowara, Flygt and Vogel Pumpen are a trademark of Xylem Inc. or one of its subsidiaries. Goulds is a registered trademark of Goulds Pumps, Inc. and is used under license.

N.	Descrizione It	Description en	Description fr	Beschreibung de	Descripción es	Descrição pt
1	Motore	Motor	Moteur	Motor	Motor	Motor
2	Lanterna	Adaptor	Lanterne	Motorlanterne	Adaptador	Adaptador
4	Tappi	Plugs	Bouchons	Stopfen	Tapones	Tampões
5	Disco porta tenuta	Seal housing plate	Disque de support garniture	Dichtungsdeckel	Disco de alojamiento sello	Disco porta-vedante
6	Testata superiore	Upper head	Tête supérieure	Oberer kopf	Cabezal superior	Cabeça superior
7	Molla	Spring	Ressort	Feder	Muelle	Mola
8	Girante ridotta	Reduced impeller	Roue réduite	Laufrad, reduzierter Durchmesser	Rodete, reducido	Impulsor reduzido
9	Girante piena	Full impeller	Roue pleine	Laufrad, voller Durchmesser	Rodete, completo	Impulsor completo
10	Camicia	Sleeve	Chemise	Gehäuse	Camisa	Camisa
11	Albero	Shaft	Arbre	Welle	Árbol	Veio
14	Corpo pompa	Pump body	Corps de pompe	Pumpengehäuse	Caja bomba	Corpo da bomba
15	Diffusore boccola carbone	Diffuser carbon bush	Diffuseur douille carbone	Diffusor und Büchse, Kohle	Difusor casquillo carbón	Difusor bucha carvão
16	Diffusore finale	Last stage diffuser	Diffuseur dernier étage	Enddiffusor	Difusor final	Difusor final
20	Kit tenuta mecc. + OR	Mechanical seal + OR kit	Kit garniture mec. + joints toriques	Gleitringdichtung + O-Ring [Satz]	Kit sello mec. + junta tórica	Kit vedante mec. + OR
21	Kit guarnizioni OR	O ring kit	Kit joints toriques	Dichtungssatz	Kit juntas tóricas	Kit guarnições OR
23	Anello sollevamento	Lifting ring	Anneau de levage	Huböse	Anillo de elevación	Anel de suspensão
26	Kit coppia di semigiunti	Pair of half coupling kit	Kit paire de demi-manchons	Kupplung [Satz]	Kit par de semijuntas	Kit par de semi-juntas
27	Kit protezione giunto	Coupling guard kit	Kit protection manchon	Kupplungsschutz [Satz]	Kit protección junta	Kit proteção junta
28	Kit tamburo reggipinta	Thrust drum kit	Kit tambour butée	Drucklagerscheibe [Satz]	Kit tambor de empuje	Kit tambor de impulso
29	Kit bloccaggio giranti	Impeller locking kit	Kit blocage roues	Laufrad Halt [Satz]	Kit bloqueo rodetes	Kit bloqueio impulsores
30	Kit bussola tenuta	Bush seal kit	Kit douille garniture	ringdichtungsarretierung und mitneh	Kit casquillo sello	kit bucha vedante
31	Kit tiranti	Tie rods kit	Kit tirants	Zugstangen [Satz]	Kit tirantes	Kit tirantes
32	Kit supporto boccola Widia	Support tungsten bush kit	Kit support douille Widia	Widia Halterung [Satz]	Kit soporte casquillo Widia	Kit suporte com tungstênio bucha
33	Kit diffusore boccola Widia	Diffuser tungsten bush kit	Kit diffuseur douille Widia	Diffusor mit Widia Büchse [Satz]	Kit difusor casquillo Widia	Kit difusor com tungstênio bucha
34	Kit parti di usura	Wear parts kit	Kit parties d'usure	Verschleißteile [Satz]	Kit piezas de desgaste	Kit peças desgastáveis
35	Anello per camicie	Sleeve ring	Anneau pour chemises	Ringhülse	Anillo para camisas	Anel para camisas
N.	Beschrijving nl	Περιγραφή el	Açıklama tr	Kuvau fi	Описание ru	Opis pl
1	Motor	Πλήρης κινητήρας	Motor	Moottori	Двигатель	Silnik
2	Lantaarnstuk	Μπρακέτο	Adaptör	Sovitin	Крестовина	Piasta
4	Pluggen	Σετ πατών	Tapalar	Tulpat	Пробки	Zatyczki
5	Dichtingssteunplaat	Δίσκος μηχανικού στυπιοθλιπτή	Sızdırmazlık elemanı diski	Tiivisteenn kannatuslevy	Пластина держателя прокладки	Tarcza uszczelki
6	Bovenste kop	Κεφαλή αντλίας	Üst kafa	Yläkansi	Верхняя головка	Głowica górna
7	Veer	Έλασμα	Yay	Jousi	Пружина	Sprężyna
8	Waaier met verkleinde diameter	Πτερόγιο μειωμένης διαμέτρου	Küçük boylu pompa rotoru	Pieni juoksupyörä	Уменьшенное рабочее колесо	Wirnik niepełny
9	Volle waaier	Πτερόγιο πλήρους διαμέτρου	Tam boylu pompa rotoru	Täydellinen juoksupyörä	Полное рабочее колесо	Wirnik pełny
10	Mantel	Κέλυφος	Gömlek	Muhvi	Муфта	Plaszcz
11	As	Άξονας	Mil	Akseli	Вал	Wał
14	Pomphuis	Σώμα αντλίας	Pompa gövdesi	Pumpun runko	Корпус насоса	Korpus pompy
15	Diffusor koollager	Πτερόγιο εκτροπής με κουζινέτο	Karbon burçlu difüzör	Diffusori ja hiiliholkki	Диффузор втулки угля	Dyfuzor tulejki węgla
16	Diffusor laatste trap	Τελευταίο πτερόγιο εκτροπής	Son difüzör	Loppuvaiheen diffuusori	Конечный диффузор	Dyfuzor końcowy
20	Set mech. asafdichting + O-ring	Μηχανικός στυπιοθλιπτής και ροδέλες στεγανοποίησης	Mekanik salmastra kiti + O-Ring	Mek. tiiviste + O-rengassarja	Комплект мех.прокладки + OR	Zestaw uszcz. mech. + OR
21	Set O-ringafdichtingen	Σετ ροδέλες στεγανοποίησης	O-Ring kiti	O-rengassarja	Комплект кольцевых прокладок OR	Zestaw uszczelkek OR
23	Hijs ring	Άρση δαχτυλίδι	Cihaz kaldırma	Nostorengas	Подъемные кольца	Pierścień podnoszenia
26	Set koppelingshelften	Σετ σταθερού συνδέσμου	Çift yarım manşon kiti	Liitinsarja	Комплект пары полумуфт	Zestaw pary półzłączy
27	Set koppelingsbescherming	Καλύμματα προστασίας σταθερού συνδέσμου	Manşon koruma kiti	Liitoksen suojuussarja	Комплект защиты муфт	Zestaw ochronny złącza
28	Set druklagertrommel	Σετ ωστικού εμβόλου	Basinc yatağı tambur kiti	Rumpusarja	Комплект упорного барабана	Testaw bębna łożyska oporowego
29	Set waaierblokkeringen	Σετ ασφάλισης πτερυγίων	Pompa rotorlarını sabitleme kiti	Juoksupyörien kiinnityssarja	Комплект блокировки раб. колес	Zestaw blokujący wirniki
30	Set afdichtingsbus	Σετ κουζινέτου μηχανικού στυπιοθλιπτή	Sızdırmazlık elemanı burcu kiti	Holkki ja tiiviste	Комплект втулки уплотнения	Zestaw busoli uszczel.
31	Set trekstangen	Σετ ράβδων σύνδεσης	Gergi çubuğu kiti	Vetotankosarja	Комплект тяг	Zestaw napinaczy
32	Set Widia steunbus	Σετ κάτω κουζινέτου	Tungsten burç mesnedi kiti	Kannatin ja kovametalliholkki	Комплект опоры втулки Widia	Zestaw wspornika tulejki Wolfram
33	Set Widia diffusorbus	Σετ πτερυγίου εκτροπής με κουζινέτο και δακτύλιο τριβής	Tungsten burçlu difüzör kiti	Diffusori ja kovametalliholkki	Комплект диффузора втулки Widia	Zestaw dyfuzora tulejki Wolfram
34	Set slijtonderdelen	Σετ δακτύλιων τριβής	Aşınma parçaları kiti	Kulumisiosien sarja	Комплект изнашиваемых частей	Zestaw części podł. zużyciu
35	Ring voor mantels	Σύνδεσμος κελύφων	Gömlek halkası	Muhvirengas	Кольцо муфты	Pierścień do płaszczy

33SVG 2 Pole

ELP 2 P, 3 ~											
G - Version	33SV1/1AG	33SV1G	33SV2/2AG	33SV2/1AG	33SV2G	33SV3/2AG	33SV3/1AG	33SV3G	33SV4/2AG	33SV4/1AG	
T ->	101570011	101570021	101570031	101570041	101570051	101570061	101570071	101570081	101570091	101570101	
	33SV4G	33SV5/2AG	33SV5/1AG	33SV5G	33SV6/2AG	33SV6/1AG	33SV6G	33SV7/2AG	33SV7/1AG	33SV7G	
T ->	101570111	101570121	101570131	101570141	101570151	101570161	101570171	101570181	101570191	101570201	
	33SV8/2AG	33SV8/1AG	33SV8G	33SV9/2AG	33SV9/1AG	33SV9G	33SV10/2AG	33SV10/1AG	33SV10G	33SV11/2AG	
T ->	101570211	101570221	101570231	101570241	101570251	101570261	101570271	101570281	101570291	101570301	
	33SV11/1AG	33SV11G	33SV12/2AG	33SV12/1AG	33SV12G	33SV13/2AG	33SV13/1AG				
T ->	101570311	101570321	101570331	101570341	101570351	101570361	101570371				
Motor power kw >	2,2	3,0	4,0	4,0	5,5	5,5	7,5	7,5	7,5	11,0	
	11,0	11,0	11,0	15,0	15,0	15,0	15,0	15,0	18,5	18,5	
	18,5	18,5	22,0	22,0	22,0	22,0	22,0	30,0	30,0	30,0	
	30,0	30,0	30,0	30,0	30,0	30,0	30,0				

Single Unit and Kit

Stages >		1	2	3	4	5	6	7	8	9	10
		11	12	13							
10	Sleeve STD PN25	166441881	166441891	166441901	166441911	166441921	166441931	166441941	166441951	166441961	166441971
	Sleeve STD PN40	KL13AAA	KL13AAB	KL13AAC	Note. Double Sleeve Kit are without ring (pls see item 35)						
	Sleeve OPT PN40	156408600	156408610	156408620	156408630	156408640	156408650	156408660	156408670	156408680	156408690
11	Shaft	165045621	165045631	165045641	165045651	165045661	165045671	165045681	165045691	165045701	165045711
		165045721	165045731	165045741							
31	Tie rods kit SVG	KL22AAC	KL22AAD	KL22AAE	KL22AAF	KL22AAG	KL22AAH	KL22AAK	KL22AAL	KL22AAM	KL22AAN
		KL22AAP	KL22AAQ	KL22AAR							

Motor, Coupling, Adaptor

**1	kw >	2,2	3,0	4,0	5,5	7,5	11,0	15,0	18,5	22,0	30,0
	Motor 2P, 3 ~>	50001RD00	50002RF00	50008VG00	50013VE00	50017VB00	50019VE00	50024VB00	50025VB00	50026VE00	107242100
2	Adaptor	161453600	161453620	161453620	161453640	161453640	161453660	161453660	161453660	161453660	161453680
23	Lifting bracket	-	-	-	161441050	161441050	161441060	161441060	161441060	161441060	161441070
26	Coupling	KL10AAA	KL10AAB	KL10AAB	KL10AAC	KL10AAC	KL10AAD	KL10AAD	KL10AAD	KL10AAE	KL10AAF
27	Coupling guard	KL33AAA	KL33AAA	KL33AAA	KL33AAB	KL33AAB	KL33AAC	KL33AAC	KL33AAC	KL33AAC	KL33AAC

Wear parts, pump body drum, impeller stop, impeller locking

		->33SV4	->33SV5	->33SV9	->33SV13
		1 bearing no drum	2 bearing no drum	2 bearing drum	3 bearing drum
* 34	Wear Parts Kit	KL35AA9	KL35ABA	KL35ABB	KL35ABD
14	Pump body	PN16 PN25-40	151351000 -	151351000 -	- 151351020 151351020
28	Drum	EPDM FPM FEP	- - -	- - -	KL41AAA KL41AAD KL41AAS
29	Impeller locking	KL41AAG	KL41AAG	-	-

Mech seal D22 + OR

*20	Materials ->	Q1BEGG	KL01AC0	STD -> Q1BEGG - OR EPDM
		Q1Q1EGG	KL01AC1	
		Q1BVG	KL01AC2	
		Q1Q1VGG	KL01AC3	
		Q1CTGG	KL01AC5	
		Q1Q1TGG	KL01AC6	

Common, Single Unit and Kit

4	Plugs	EPDM FPM FEP	KL34AAF KL34AAG KL34AAH	
5	Seal housing plate		160150260	
6	Upper head		161453740	
7	Spring		169100190	
*8	Reduced impeller A		150702820	
*9	Full impeller		150702740	
15	Diffuser carbon bush		152801801	304 SS
16	Last stage diffuser		152801731	304 SS
*21	OR	EPDM FPM FEP	KL02AAA KL02AAD KL02AA7	Single-Double Sleeve Single Sleeve
	OR	FPM FEP	KL02AAE KL02AA8	Double Sleeve
30	Bush seal		KL41AAH	
32	Support tungsten bush SVG		KL16AAA	
*33	Diffuser tungsten bush		KL05AC6	From 33SV4, incl.
35	Sleeve ring		168601900	For 11-12-13 Stages Pumps

* Recommended spare parts - Parti di ricambio consigliate

* Pièces détachées conseillées - Empfohlene Ersatzteile

** Motor spare parts: see motor lists - Parti di ricambio motore: vedi liste motore

** Pièces détachées Moteur : voir listes moteur - Motor-Ersatzteile: gem. Motorlisten

3392SV_G 5_June11_EdB

33SVG 4 Pole

Production date > June11

ELP 4 P, 3 ~										
G - Version	33SV3/2AG4	33SV4/1AG4	33SV5G4	33SV6G4	33SV7G4	33SV8G4	33SV9G4	SV3310G4	SV3311G4	SV3312G4
T ->	101570561	101570601	101570641	101570671	101570701	101570731	101570761	101570791	101570821	101570851
	SV3313G4									
T ->	101570881									
Motor power	1,1	1,1	1,5	2,2	2,2	3,0	3,0	3,0	4,0	4,0
kW >	4,0									

Stages >	3	4	5	6	7	8	9	10	11	12
	13									
10 Sleeve STD PN25	166441901	166441911	166441921	166441931	166441941	166441951	166441961	166441971	KL13AAD	KL13AAE
	KL13AAF	Note. Double Sleeve Kit are without ring (pls see item 35)								
Sleeve OPT PN40	156408620	156408630	156408640	156408650	156408660	156408670	156408680	156408690	KL13AAA	KL13AAB
	KL13AAC	Note. Double Sleeve Kit are without ring (pls see item 35)								
11 Shaft	165045641	165045651	165045661	165045671	165045681	165045691	165045701	165045711	165045721	165045731
	165045741									
31 Tie rods kit SVG	KL22AAE	KL22AAF	KL22AAG	KL22AAH	KL22AAK	KL22AAL	KL22AAM	KL22AAN	KL22AAP	KL22AAQ
	KL22AAR									

Motor, Coupling, Adaptor

**1	kW >	1,1	1,5	2,2	3,0	4,0
	Motor 4P, 3~ ->	50005RD00	50006RD00	50010RD00	50011RD00	50015VD00
2	Adaptor	161453600	161453600	161453620	161453620	161453620
23	Lifting bracket	-	-	-	-	-
26	Coupling	KL10AAA	KL10AAA	KL10AAB	KL10AAB	KL10AAB
27	Coupling guard	KL33AAA	KL33AAA	KL33AAA	KL33AAA	KL33AAA

Wear parts, pump body

		- >33SV4	- >33SV9	->33SV13
impeller stop, impeller locking		1 bearing no drum	2 bearing no drum	3 bearing no drum
* 34	Wear Parts Kit	KL35AA9	KL35ABA	KL35ABC
14	Pump body PN16	151351000	151351000	151351000
29	Impeller locking	KL41AAG	KL41AAG	KL41AAG

Mech seal D22 + OR

*20	Materials ->	Q1BEGG	KL01AC0	STD -> Q1BEGG - OR EPDM
		Q1Q1EGG	KL01AC1	
		Q1BVGG	KL01AC2	
		Q1Q1VGG	KL01AC3	
		Q1CTGG	KL01AC5	
		Q1Q1TGG	KL01AC6	

Common, Single Unit and Kit

4	Plugs	EPDM	KL34AAF	
		FPM	KL34AAG	
		FEP	KL34AAH	
5	Seal housing plate		160150260	
6	Upper head		161453740	
7	Spring		169100190	
8	Reduced impeller A		150702820	
9	Full impeller		150702740	
15	Diffuser carbon bush		152801801	304 SS
16	Last stage diffuser		152801731	304 SS
*21	OR	EPDM	KL02AAA	Single-Double Sleeve
		FPM	KL02AAD	
	OR	FEP	KL02AA7	Single Sleeve
		FPM	KL02AAE	
	OR	FEP	KL02AA8	Double Sleeve
30	Bush seal		KL41AAH	
32	Support tungsten bush SVG		KL16AAA	
*33	Diffuser tungsten bush		KL05AC6	From 33SV4, included
35	Sleeve ring		168601900	For 11-12-13 Stages Pumps
	Diffuser box empty		152801960	33-46SV 2-4 pole

* Recommended spare parts - Parti di ricambio consigliate

* Pièces détachées conseillées - Empfohlene Ersatzteile

** Motor spare parts: see motor lists - Parti di ricambio motore: vedi liste motore

** Pièces détachées Moteur : voir listes moteur - Motor-Ersatzteile: gem. Motorlisten

3392SV_G_5_June11_EdB

46SVG 2 Pole

ELP 2 P, 3 ~										
G - Version	46SV1/1AG	46SV1G	46SV2/2AG	46SV2G	46SV3/2AG	46SV3G	46SV4/2AG	46SV4G	46SV5/2AG	46SV5G
T ~ >	101572011	101572021	101572031	101572041	101572051	101572061	101572071	101572081	101572091	101572101
T ~ >	46SV6/2AG	46SV6G	46SV7/2AG	46SV7G	46SV8/2AG	46SV8G	46SV9/2AG	46SV9G	SV4610/2AG	SV4610G
T ~ >	101572111	101572121	101572131	101572141	101572151	101572161	101572171	101572181	101572191	101572201
T ~ >	SV4611/2AG	SV4611G	SV4612/2AG	SV4612G	SV4613/2AG					
T ~ >	101572211	101572221	101572231	101572241	101572251					
Motor power kW >	3.0	4.0	5.5	7.5	11.0	15.0	15.0	15.0	18.5	18.5
	22.0	22.0	30.0	30.0	30.0	30.0	30.0	37.0	37.0	37.0
	45.0	45.0	45.0	45.0	45.0					

Single Unit and Kit

	Stages >											
	1	2	3	4	5	6	7	8	9	10		
10 Sleeve STD PN25	166441881	166441891	166441901	166441911	166441921	166441931	166441941	166441951	166441961	156408690		
Sleeve STD PN40	KL13AAA	KL13AAB	KL13AAC	Note. Double Sleeve Kit are without ring (pls see item 35)								
Sleeve OPT PN40	156408600	156408610	156408620	156408630	156408640	156408650	156408660	156408670	156408680	156408690		
11 Shaft	165045621	165045631	165045641	165045651	165045661	165045671	165045681	165045691	165045701	165045711		
	165045721	165045731	165045741									
31 Tie rods kit SVG	KL22AAC	KL22AAD	KL22AAE	KL22AAF	KL22AAG	KL22AAH	KL22AAK	KL22AAL	KL22AAM	KL22AAN		
	KL22AAP	KL22AAQ	KL22AAR									

Motor, Coupling, Adaptor

**1	kW >	3.0	4.0	5.5	7.5	11.0	15.0	18.5	22.0	30.0	37.0
		45.0									
Motor 2P, 3~>		50002RF00	50008VG00	50013VE00	50017VB00	50019VE00	50024VB00	50025VB00	50026VE00	107242100	107242200
		107242300									
2 Adaptor		161453620	161453620	161453640	161453640	161453660	161453660	161453660	161453660	161453680	161453680
		161453700									
23 Lifting bracket		-	-	161441050	161441050	161441060	161441060	161441060	161441060	161441070	161441070
		161441070									
26 Coupling		KL10AAB	KL10AAB	KL10AAC	KL10AAC	KL10AAD	KL10AAD	KL10AAD	KL10AAE	KL10AAF	KL10AAF
		KL10AAF									
27 Coupling guard		KL33AAA	KL33AAA	KL33AAB	KL33AAB	KL33AAC	KL33AAC	KL33AAC	KL33AAC	KL33AAC	KL33AAC
		KL33AAC									

Wear parts, pump body

		->46SV3	->46SV4	->46SV9	->46SV13
drum, impeller stop,		1 bearing	1 bearing	2 bearing	3 bearing
impeller locking		no drum	drum	drum	drum
*34 Wear Parts Kit		KL35ABE	KL35ABX	KL35ABG	KL35ABK
14 Pump body	PN16	151351040	-	-	-
	PN16-40	-	151351060	151351060	151351060
28 Drum	EPDM	-	KL41AAB	KL41AAB	KL41AAB
	FPM	-	KL41AAE	KL41AAE	KL41AAE
	FEP	-	KL41AAT	KL41AAT	KL41AAT
29 Impeller locking		KL41AAG	-	-	-

Mechanical seal D22 + OR

*20	Materials ->	KL01AC0	Q1BEGG	STD -> Q1BEGG - OR EPDM
		KL01AC1	Q1Q1EGG	
		KL01AC2	Q1BVGG	
		KL01AC3	Q1Q1VGG	
		KL01AC5	Q1CTGG	
		KL01AC6	Q1Q1TGG	

Common, Single Unit and Kit

4	Plugs	EPDM	KL34AAF	
		FPM	KL34AAG	
		FEP	KL34AAH	
5	Seal housing plate		160150260	
6	Upper head		161453740	
7	Spring		169100190	
*8	Reduced impeller A		150702830	
*9	Full impeller		150702750	
15	Diffuser carbon bush		152801811	304 SS
16	Last stage diffuser		152801731	304 SS
*21	OR	EPDM	KL02AAA	Single-Double Sleeve
	OR	FPM	KL02AAD	
		FEP	KL02AA7	Single Sleeve
	OR	FPM	KL02AAE	
		FEP	KL02AA8	Double Sleeve
30	Bush seal		KL41AAH	
32	Support tungsten bush SVG		KL16AAB	
*33	Diffuser tungsten bush		KL05AC7	From 46SV5, included
35	Sleeve ring		168601900	For 11-12-13 Stages Double Sleeve Pumps

* Recommended spare parts - Parti di ricambio consigliate

* Pièces détachées conseillées - Empfohlene Ersatzteile

** Motor spare parts: see motor lists - Parti di ricambio motore: vedi liste motore

46SVG 4 Pole

ELP 4P, 3 ~										
G - Version	46SV2G4	46SV3G4	46SV4G4	46SV5G4	46SV6G4	46SV7G4	46SV8G4	46SV9G4	SV4610G4	SV1611G4
T ~ >	101572541	101572561	101572581	101572601	101572621	101572641	101572661	101572681	101572701	101572721
	SV4612G4									
T ~ >	101572741									
Motor power	1,1	1,5	2,2	2,2	3,0	3,0	4,0	4,0	5,5	5,5
kW >	5,5									

Single Unit and Kit

Stages >		2	3	4	5	6	7	8	9	10	11
10	Sleeve STD PN25	166441891	166441901	166441911	166441921	166441931	166441941	166441951	166441961	166441971	KL13AAD
		KL13AAE	Note. Double Sleeve Kit are without ring (pls see item 35)								
	Sleeve OPT PN40	156408610	156408620	156408630	156408640	156408650	156408660	156408670	156408680	156408690	KL13AAA
		KL13AAB	Note. Double Sleeve Kit are without ring (pls see item 35)								
11	Shaft	165045631	165045641	165045651	165045661	165045671	165045681	165045691	165045701	165045711	165045721
		165045731									
31	Tie rods kit SVG	KL22AAD	KL22AAE	KL22AAF	KL22AAG	KL22AAH	KL22AAK	KL22AAL	KL22AAM	KL22AAN	KL22AAP
		KL22AAQ									

Motor, Coupling, Adaptor

**1	kW >	1,1	1,5	2,2	3,0	4,0	5,5
	Motor 4P ->	50005RD00	50006RD00	50010RD00	50011RD00	50015VD00	50020VB00
2	Adaptor	161453600	161453600	161453620	161453620	161453620	161453640
23	Lifting bracket	-	-	-	-	-	161441050
26	Coupling	KL10AAA	KL10AAA	KL10AAB	KL10AAB	KL10AAB	KL10AAC
27	Coupling guard	KL33AAA	KL33AAA	KL33AAA	KL33AAA	KL33AAA	KL33AAB

Wear parts, pump body

impeller halt, impeller locking		->46SV4	->46SV9	->46SV12
		1 bearing no drum	2 bearing no drum	3 bearing no drum
*34	Wear Parts Kit	KL35ABE	KL35ABF	KL35ABH
14	Pump body PN16	151351060	151351060	151351060
29	Impeller locking	KL41AAG	KL41AAG	KL41AAG

Mechanical seal D22 + OR

*20	Materials ->	KL01AC0	Q1BEGG	STD -> Q1BEGG - OR EPDM
		KL01AC1	Q1Q1EGG	
		KL01AC2	Q1BVGG	
		KL01AC3	Q1Q1VGG	
		KL01AC5	Q1CTGG	
		KL01AC6	Q1Q1TGG	

Common, Single Unit and Kit

4	Plugs	EPDM	KL34AAF	
		FPM	KL34AAG	
		FEP	KL34AAH	
5	Seal housing plate		160150260	
6	Upper head		161453740	
7	Spring		169100190	
8	Reduced impeller A		150702830	
9	Full impeller		150702750	
15	Diffuser carbon bush		152801811	304 SS
16	Last stage diffuser		152801731	304 SS
*21	OR	EPDM	KL02AAA	Single-Double Sleeve
	OR	FPM	KL02AAD	
		FEP	KL02AA7	Single Sleeve
	OR	FPM	KL02AAE	
		FEP	KL02AA8	Double Sleeve
30	Bush seal		KL41AAH	
32	Support tungsten bush SVG		KL16AAB	
*33	Diffuser tungsten bush		KL05AC7	From 46SV5, included
35	Sleeve ring		168601900	For 11-12 Stages Double Sleeve Pumps
	Diffuser box empty		152801960	33-46SV 2-4 pole

* Recommended spare parts - Parti di ricambio consigliate

* Pièces détachées conseillées - Empfohlene Ersatzteile

** Motor spare parts: see motor lists - Parti di ricambio motore: vedi liste motore

** Pièces détachées Moteur : voir listes moteur - Motor-Ersatzteile: gem. Motorlisten

66SVG 2 Pole

ELP 2 P, 3 ~											
G - Version	66SV1/1AG	66SV1G	66SV2/2AG	66SV2/1AG	66SV2G	66SV3/2AG	66SV3/1AG	66SV3G	66SV4/2AG	66SV4/1AG	
	T ~ >	101574011	101574021	101574031	101574041	101574051	101574061	101574071	101574081	101574091	101574101
		66SV4G	66SV5/2AG	66SV5/1AG	66SV5G	66SV6/2AG	66SV6/1AG	66SV6G	66SV7/2AG	66SV7/1AG	66SV7G
T ~ >	101574111	101574121	101574131	101574141	101574151	101574161	101574171	101574181	101574191	101574201	
		66SV8/2AG	66SV8/1AG	66SV8G							
T ~ >	101574221	101574211	101574231								
Motor power	4.0	5.5	7.5	11.0	11.0	15.0	15.0	18.5	18.5	22.0	
	22.0	30.0	30.0	30.0	30.0	30.0	37.0	37.0	37.0	45.0	
	45.0	45.0	45.0								

Single Unit and Kit

Stages >		1	2	3	4	5	6	7	8
10	Sleeve STD PN25	166442081	166442091	166442101	166442111	166442121	166442131	166442141	166442151
	Sleeve OPT PN40	156408750	156408760	156408770	156408780	156408790	156408800	156408810	156408820
11	Shaft	165045781	165045791	165045801	165045811	165045821	165045831	165045841	165045851
31	Tie rods kit SVG	KL22AA5	KL22AA6	KL22AA7	KL22AA8	KL22AAH	KL22AA9	KL22ABA	KL22ABB

Motor, Coupling, Motor Adaptor

**1	kw >	4.0	5.5	7.5	11.0	15.0	18.5	22.0	30.0	37.0	45.0
	Motor 2P, 3~ >	50008VG00	50013VE00	50017VB00	50019VE00	50024VB00	50025VB00	50026VE00	107242100	107242200	107242300
2	Adaptor	161453620	161453640	161453640	161453660	161453660	161453660	161453660	161453680	161453680	161453700
23	Lifting bracket	-	161441050	161441050	161441060	161441060	161441060	161441060	161441070	161441070	161441070
26	Coupling	KL10AAB	KL10AAC	KL10AAC	KL10AAD	KL10AAD	KL10AAD	KL10AAE	KL10AAF	KL10AAF	KL10AAF
27	Coupling guard	KL33AAA	KL33AAB	KL33AAB	KL33AAC	KL33AAC	KL33AAC	KL33AAC	KL33AAC	KL33AAC	KL33AAC

Wear parts, pump body drum, impeller stop, impeller locking

		->66SV2	->66SV3	->66SV6	->66SV8
		1 bearing no drum	1 bearing drum	2 bearing drum	3 bearing drum
*34	Wear Parts kit	KL35ABL	KL35ABY	KL35ABN	KL35ABQ
14	Pump body	PN16	151351080	151351100	151351100
		PN 25	-	-	151351130
28	Drum	EPDM	-	KL41AAC	KL41AAC
		FPM	-	KL41AAF	KL41AAF
		FEP	-	KL41AAU	KL41AAU
29	Impeller locking	KL41AAG	-	-	-

Mechanical seal D22 + OR

*20	Materials ->	Q1BEGG	KL01AC0	STD -> Q1BEGG - OR EPDM
		Q1Q1EGG	KL01AC1	
		Q1BVGG	KL01AC2	
		Q1Q1VGG	KL01AC3	
		Q1CTGG	KL01AC5	
		Q1Q1TGG	KL01AC6	

Common, Single Unit and Kit

4	Plugs	EPDM	KL34AAF	
		FPM	KL34AAG	
		FEP	KL34AAH	
5	Seal housing plate	160150260		
6	Upper head	161453760		
7	Spring	169100210		
*8	Reduced impeller	150702840		
*9	Full impeller	150702760		
15	Diffuser carbon bush	152801821	304 SS	
16	Last stage diffuser	152801751	304 SS	
*21	OR	EPDM	KL02AAC	
		FPM	KL02AAF	
		FEP	KL02AA9	
30	Bush seal	KL41AAH		
32	Support tungsten bush SVG	KL16AAC		
*33	Diffuser tungsten bush	KL05AC8	From 66SV4, included	

* Recommended spare parts - Parti di ricambio consigliate

* Pièces détachées conseillées - Empfohlene Ersatzteile

** Motor spare parts: see motor lists - Parti di ricambio motore: vedi liste motore

** Pièces détachées Moteur : voir listes moteur - Motor-Ersatzteile: gem. Motorlisten

66SVG 4 Pole

ELP 4 P, 3 ~								
G - Version	66SV1F4	66SV2F4	66SV3F4	66SV4F4	66SV5F4	66SV6F4	66SV7F4	66SV8F4
T ~>	101574521	101574551	101574581	101574611	101574641	101574671	101574701	101574731
Mot. power, kW ->	1,1	1,5	2,2	3,0	4,0	4,0	5,5	5,5

Stages >		1	2	3	4	5	6	7	8
10	Sleeve STD PN25	166442081	166442091	166442101	166442111	166442121	166442131	166442141	166442151
	Sleeve OPT PN40	156408750	156408760	156408770	156408780	156408790	156408800	156408810	156408820
11	Shaft	165045781	165045791	165045801	165045811	165045821	165045831	165045841	165045851
31	Tie rods kit SVG	KL22AA5	KL22AA6	KL22AA7	KL22AA8	KL22AAH	KL22AA9	KL22ABA	KL22ABB

Motor, Coupling, Motor Adaptor

**1	kW >	1,1	1,5	2,2	3,0	4,0	5,5
	Motor 4P, 3~>	50005RD00	50006RD00	50010RD00	50011RD00	50015VD00	50020VB00
2	Adaptor	161453600	161453600	161453620	161453620	161453620	161453640
23	Lifting bracket	-	-	-	-	-	161441050
26	Coupling	KL10AAA	KL10AAA	KL10AAB	KL10AAB	KL10AAB	KL10AAC
27	Coupling guard	KL33AAA	KL33AAA	KL33AAA	KL33AAA	KL33AAA	KL33AAB

Wear parts, pump body

Wear parts, pump body impeller stop, impeller locking		->66SV3	->66SV6	->66SV8
		1 bearing no drum	2 bearing no drum	3 bearing no drum
*34	Wear parts kit	KL35ABL	KL35ABM	KL35ABP
14	Pump body PN16	151351080	151351080	151351080
29	Impeller locking	KL41AAG	KL41AAG	KL41AAG

Mechanical seal D22 + OR

*20	Materials ->	Q1BEGG	KL01AC0	STD -> Q1BEGG - OR EPDM
		Q1Q1EGG	KL01AC1	
		Q1BVGG	KL01AC2	
		Q1Q1VGG	KL01AC3	
		Q1CTGG	KL01AC5	
		Q1Q1TGG	KL01AC6	

Common, Single Unit and Kit

4	Plugs	EPDM	KL34AAF	
		FPM	KL34AAG	
		FEP	KL34AAH	
5	Seal housing plate		160150260	
6	Upper head		161453760	
7	Spring		169100210	
8	Reduced impeller A		150702840	
9	Full impeller		150702760	
15	Diffuser carbon bush		152801821	304SS
16	Last stage diffuser		152801751	304SS
*21	OR	EPDM	KL02AAC	
		FPM	KL02AAF	
		FEP	KL02AA9	
30	Bush seal		KL41AAH	
32	Support tungsten bush SVG		KL16AAC	
*33	Diffuser tungsten bush		KL05AC8	From 66SV4, included
	Diffuser box empty		152801970	66-92SV 2-4 pole

* Recommended spare parts - Parti di ricambio consigliate

* Pièces détachées conseillées - Empfohlene Ersatzteile

** Motor spare parts: see motor lists - Parti di ricambio motore: vedi liste motore

** Pièces détachées Moteur : voir listes moteur - Motor-Ersatzteile: gem. Motorlisten

3392SV_G_5_June11_EdB

ELP 2 P, 3 ~										
G - Version	92SV1/1AG	92SV1G	92SV2/2AG	92SV2G	92SV3/2AG	92SV3G	92SV4/2AG	92SV4G	92SV5/2AG	92SV5G
T ~ >	101576011	101576021	101576031	101576041	101576051	101576061	101576071	101576081	101576091	101576101
	92SV6/2AG	92SV6G	92SV7/2AG							
T ~ >	101576111	101576121	101576131							
Motor power	5.5	7.5	11.0	15.0	18.5	22.0	30.0	30.0	37.0	37.0
kW >	45.0	45.0	45.0							

Single Unit and Kit

Stages >	1	2	3	4	5	6	7
10 Sleeve STD PN25	166442081	166442091	166442101	166442111	166442121	166442131	166442141
Sleeve OPT PN40	156408750	156408760	156408770	156408780	156408790	156408800	156408810
11 Shaft	165045781	165045791	165045801	165045811	165045821	165045831	165045841
31 Tie rods kit SVG	KL22AA5	KL22AA6	KL22AA7	KL22AA8	KL22AAH	KL22AA9	KL22ABA

**1	kW ->	5.5	7.5	11.0	15.0	18.5	22.0	30.0	37.0	45.0
	Mot. 2P, 3 ~ ->	50013VE00	50017VB00	50019VE00	50024VB00	50025VB00	50026VE00	107242100	107242200	107242300
2	Adaptor	161453640	161453640	161453660	161453660	161453660	161453660	161453680	161453680	161453700
23	Lifting bracket	161441050	161441050	161441060	161441060	161441060	161441060	161441070	161441070	161441070
26	Coupling	KL10AAC	KL10AAC	KL10AAD	KL10AAD	KL10AAD	KL10AAE	KL10AAF	KL10AAF	KL10AAF
27	Coupling guard	KL33AAB	KL33AAB	KL33AAC	KL33AAC	KL33AAC	KL33AAC	KL33AAC	KL33AAC	KL33AAC

Wear parts, pump body drum, impeller stop, impeller locking

		->92SV2	->92SV3	->92SV4	->92SV7
		1 bearing no drum	1 bearing drum	2 bearing drum	3 bearing drum
*34	Wear parts Kit	KL35ABR	KL35ABZ	KL35ABT	KL35ABV
14	Pump body	PN16 PN25	151351080	151351100	151351100 -
28	Drum	EPDM FPM FEP	- KL41AAF KL41AAU	KL41AAC KL41AAF KL41AAU	KL41AAC KL41AAF KL41AAU
29	Impeller locking	KL41AAG	-	-	-

Mechanical seal D22 + OR

*20	Materials ->	Q1BEGG	KL01AC0	STD -> Q1BEGG - OR EPDM
		Q1Q1EGG	KL01AC1	
		Q1BVGG	KL01AC2	
		Q1Q1VGG	KL01AC3	
		Q1CTGG	KL01AC5	
		Q1Q1TGG	KL01AC6	

Common, Single Unit and Kit

4	Plugs	EPDM FPM FEP	KL34AAF KL34AAG KL34AAH	
5	Seal housing plate		160150260	
6	Upper head		161453760	
7	Spring		169100210	
*8	Reduced impeller		150702850	
*9	Full impeller		150702770	
15	Diffuser carbon bush		152801831	304SS
16	Last stage diffuser		152801751	304SS
*21	OR	EPDM FPM FEP	KL02AAC KL02AAF KL02AA9	
30	Bush seal		KL41AAH	
32	Support tungsten bush SVG		KL16AAD	
*33	Diffuser tungsten bush		KL05AC9	From 92SV4, included

* Recommended spare parts - Parti di ricambio consigliate

* Pièces détachées conseillées - Empfohlene Ersatzteile

** Motor spare parts: see motor lists - Parti di ricambio motore: vedi liste motore

** Pièces détachées Moteur : voir listes moteur - Motor-Ersatzteile: gem. Motorlisten

3392SV_G_5_June11_EdB

92SVG 4 Pole

Production date > June11

ELP 4 P, 3 ~								
G - Version 3 ~ >	92SV1G4	92SV2G4	92SV3G4	92SV4G4	92SV5G4	92SV6G4	92SV7G4	92SV8G4
	Mot. power, kW >	1,1	2,2	3,0	4,0	5,5	5,5	7,5

Single Unit and Kit

Stages >		1	2	3	4	5	6	7	8
10	Sleeve STD PN25	166442081	166442091	166442101	166442111	166442121	166442131	166442141	166442151
	Sleeve OPT PN40	156408750	156408760	156408770	156408780	156408790	156408800	156408810	156408820
11	Shaft	165045781	165045791	165045801	165045811	165045821	165045831	165045841	165045851
31	Tie rods kit SVG	KL22AA5	KL22AA6	KL22AA7	KL22AA8	KL22AAH	KL22AA9	KL22ABA	KL22ABB

Motor, Coupling, Motor Adaptor

**1	kW ->	1,1	2,2	3,0	4,0	5,5	7,5
	Mot. 4P, 3~ ->	50005RD00	50010RD00	50011RD00	50015VD00	50020VB00	50021VB00
2	Adaptor	161453600	161453620	161453620	161453620	161453640	161453640
23	Lifting bracket	-	-	-	-	161441050	161441050
26	Coupling	KL10AAA	KL10AAB	KL10AAB	KL10AAB	KL10AAC	KL10AAC
27	Coupling guard	KL33AAA	KL33AAA	KL33AAA	KL33AAA	KL33AAB	KL33AAB

Wear parts, pump body

		-> 92SV3	-> 92SV6	-> 92SV8
impeller stop, impeller locking		1 bearing no drum	2 bearing no drum	3 bearing no drum
*34	Wear parts Kit	KL35ABR	KL35ABS	KL35ABU
14	Pump body PN16	151351080	151351080	151351080
29	Impeller locking	KL41AAG	KL41AAG	KL41AAG

Mechanical seal D22 + OR

*20	Materials ->	Q1BEGG	KL01AC0	STD -> Q1BEGG - OR EPDM
		Q1Q1EGG	KL01AC1	
		Q1BVGG	KL01AC2	
		Q1Q1VGG	KL01AC3	
		Q1CTGG	KL01AC5	
		Q1Q1TGG	KL01AC6	

Common, Single Unit and Kit

4	Plugs	EPDM	KL34AAF	
		FPM	KL34AAG	
		FEP	KL34AAH	
5	Seal housing plate		160150260	
6	Upper head		161453760	
7	Spring		169100210	
8	Reduced impeller		150702850	
9	Full impeller		150702770	
15	Diffuser carbon bush		152801831	304 SS
16	Last stage diffuser		152801751	304 SS
*21	OR	EPDM	KL02AAC	
		FPM	KL02AAF	
		FEP	KL02AA9	
30	Bush seal		KL41AAH	
32	Support tungsten bush SVG		KL16AAD	
*33	Diffuser tungsten bush		KL05AC9	From 92SV4, included
	Diffuser box empty		152801970	66-92SV 2-4 pole

* Recommended spare parts - Parti di ricambio consigliate

* Pièces détachées conseillées - Empfohlene Ersatzteile

** Motor spare parts: see motor lists - Parti di ricambio motore: vedi liste motore

** Pièces détachées Moteur : voir listes moteur - Motor-Ersatzteile: gem. Motorlisten

3392SV_G_5_June11_EdB