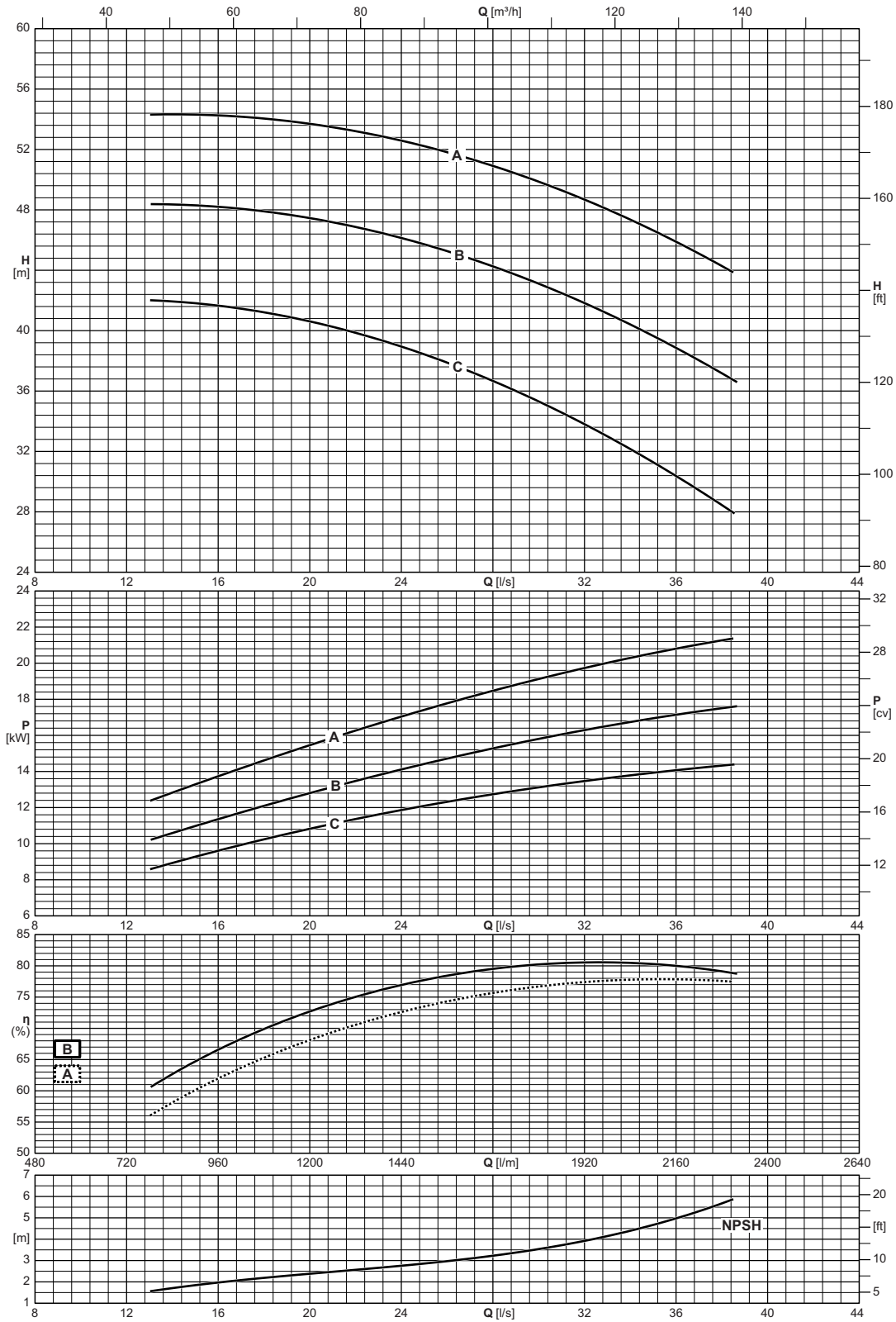


NCD 2P65-200

2900 n [min⁻¹]

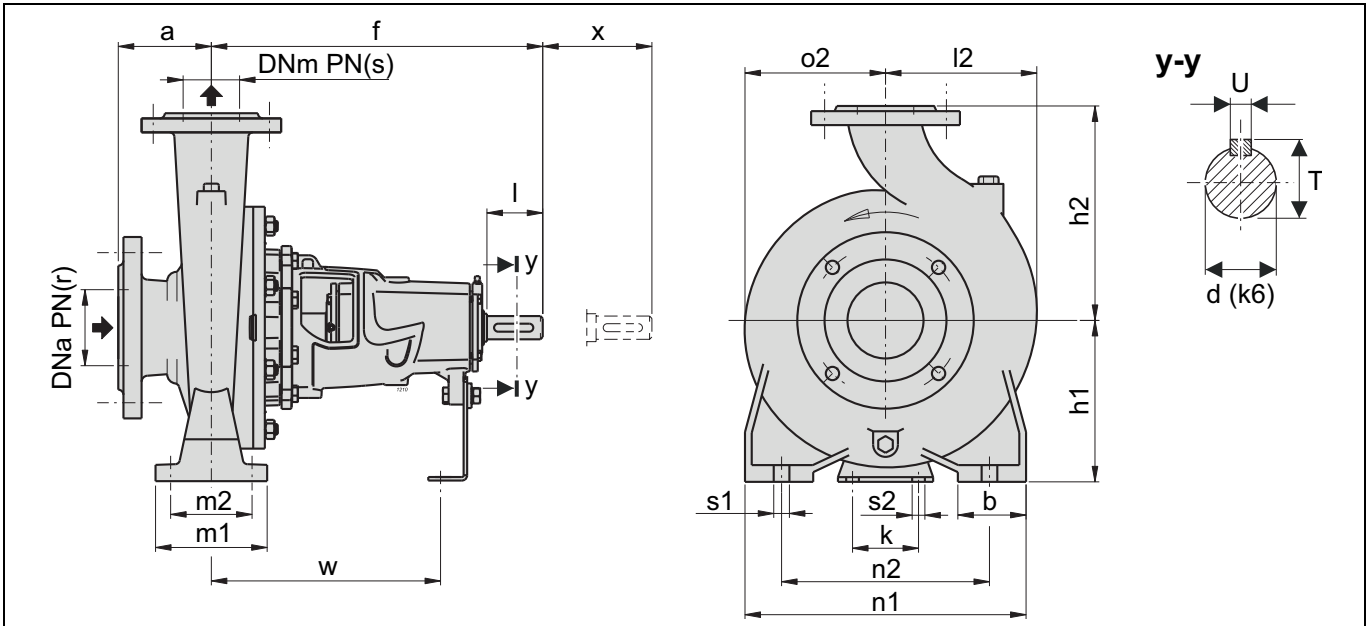


Operating data
 Caracteristiques de fonctionnement
 Caratteristiche di funzionamento



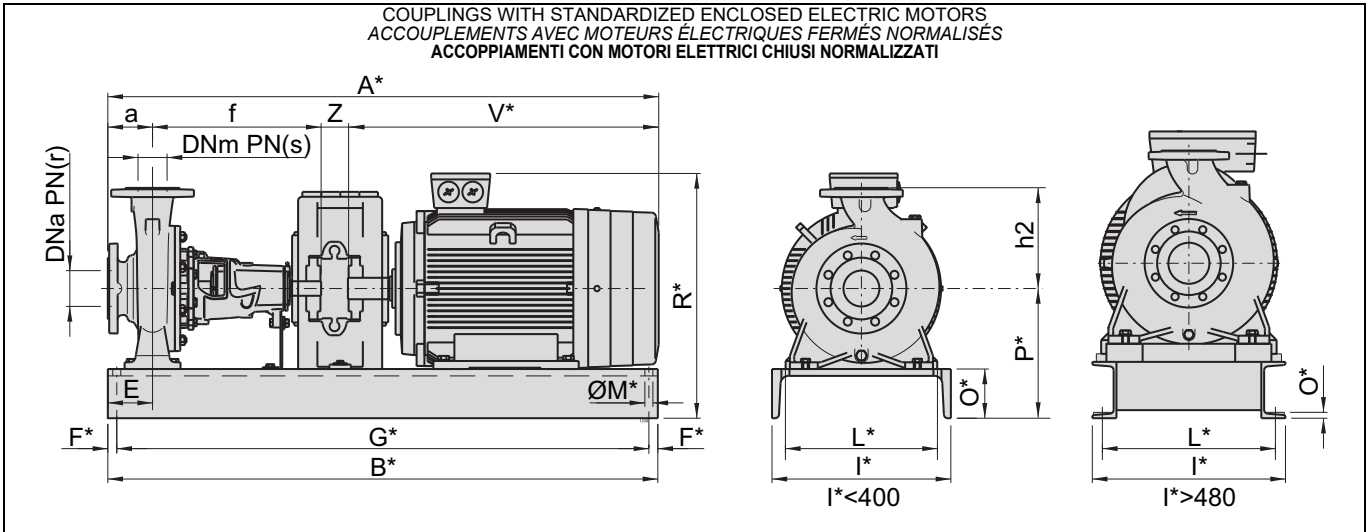
| | |
|----------------------|---|
| Type Type Tipo | Inlet maximum pressure Pression maximale en aspiration Pressione massima in aspirazione |
| NCD2P65-200 | [bar] 10 |

Overall dimensions and weights
 Dimensions d'encombrement et poids
 Dimensioni di ingombro e pesi



| Type Type Tipo | Weight Poids Peso [kg] | Dimensions pump Dimensions pompe Dimensioni pompa | | | | | | | | | | Duck foot pedestal dimensions Dimensiones pieds de soutien Dimensioni piedi di appoggio | | | | | | | Shaft projection Saillie d'arbre Sporgenza d'albero | | | | |
|----------------------|---------------------------------|---|-----|----|----|-----|-----|-----|-----|-----|-----|---|-----|-----|-----|-----|-----|-----|---|------|----|-----|-----|
| | | DNa | DNm | r | s | a | f | h1 | h2 | l2 | o2 | b | m1 | m2 | n1 | n2 | k | w | s1 | s2 | d | l | T |
| | | [mm] | | | | | | | | | | | | | | | | | | | | | |
| NCD(S)2P32-125 | 26 | 50 | 32 | 10 | 10 | 80 | 360 | 112 | 140 | 97 | 93 | 50 | 100 | 70 | 190 | 140 | 110 | 260 | ø 14 | ø 14 | 24 | 50 | 50 |
| NCD(S)2P32-160 | 33 | 50 | 32 | 10 | 10 | 80 | 360 | 132 | 160 | 120 | 120 | 50 | 100 | 70 | 240 | 190 | 110 | 260 | ø 14 | ø 14 | 24 | 50 | 50 |
| NCD(S)2P32L-160 | 31 | 50 | 32 | 10 | 10 | 80 | 360 | 132 | 160 | 120 | 120 | 50 | 100 | 70 | 240 | 190 | 110 | 260 | ø 14 | ø 14 | 24 | 50 | 50 |
| NCD(S)2P32L-200 | 40 | 50 | 32 | 10 | 10 | 80 | 360 | 160 | 180 | 140 | 140 | 50 | 100 | 70 | 265 | 212 | 110 | 260 | ø 14 | ø 14 | 24 | 50 | 50 |
| NCD(S)2P32-200 | 38 | 50 | 32 | 10 | 10 | 80 | 360 | 160 | 180 | 140 | 140 | 50 | 100 | 70 | 240 | 190 | 110 | 260 | ø 14 | ø 14 | 24 | 50 | 50 |
| NCD(S)2P40-125 | 28 | 65 | 40 | 10 | 10 | 80 | 360 | 112 | 140 | 113 | 100 | 50 | 100 | 70 | 210 | 160 | 110 | 260 | ø 14 | ø 14 | 24 | 50 | 65 |
| NCD(S)2P40-160 | 33 | 65 | 40 | 10 | 10 | 80 | 360 | 132 | 160 | 119 | 119 | 50 | 100 | 70 | 240 | 190 | 110 | 260 | ø 14 | ø 14 | 24 | 50 | 65 |
| NCD(S)2P40-200 | 40 | 65 | 40 | 10 | 10 | 100 | 360 | 160 | 180 | 140 | 140 | 50 | 100 | 70 | 265 | 212 | 110 | 260 | ø 14 | ø 14 | 24 | 50 | 65 |
| NCD(S)2P40-250 | 55 | 65 | 40 | 10 | 10 | 100 | 360 | 180 | 225 | 175 | 175 | 65 | 125 | 95 | 320 | 250 | 110 | 260 | ø 14 | ø 14 | 24 | 50 | 65 |
| NCD(S)2P50-125 | 34 | 65 | 50 | 10 | 10 | 100 | 360 | 132 | 160 | 137 | 121 | 50 | 100 | 70 | 240 | 190 | 110 | 260 | ø 14 | ø 14 | 24 | 50 | 65 |
| NCD(S)2P50-160 | 33 | 65 | 50 | 10 | 10 | 100 | 360 | 160 | 180 | 141 | 127 | 50 | 100 | 70 | 265 | 212 | 110 | 260 | ø 14 | ø 14 | 24 | 50 | 65 |
| NCD(S)2P50-200 | 44 | 65 | 50 | 10 | 10 | 100 | 360 | 160 | 200 | 153 | 140 | 50 | 100 | 70 | 265 | 212 | 110 | 260 | ø 14 | ø 14 | 24 | 50 | 65 |
| NCD(S)2P50-250 | 57 | 65 | 50 | 10 | 10 | 100 | 360 | 180 | 225 | 175 | 175 | 65 | 125 | 95 | 320 | 250 | 110 | 260 | ø 14 | ø 14 | 24 | 50 | 65 |
| NCD(S)2P65-125 | 38 | 80 | 65 | 10 | 10 | 100 | 360 | 160 | 180 | 155 | 134 | 65 | 125 | 95 | 280 | 212 | 110 | 260 | ø 14 | ø 14 | 24 | 50 | 80 |
| NCD(S)2P65-160 | 40 | 80 | 65 | 10 | 10 | 100 | 360 | 160 | 200 | 172 | 150 | 65 | 125 | 95 | 280 | 212 | 110 | 260 | ø 14 | ø 14 | 24 | 50 | 80 |
| NCD(S)2P65-200 | 48 | 80 | 65 | 10 | 10 | 100 | 360 | 180 | 225 | 175 | 155 | 65 | 125 | 95 | 320 | 250 | 110 | 260 | ø 14 | ø 14 | 24 | 50 | 80 |
| NCD(S)2P65-250 | 88 | 80 | 65 | 10 | 10 | 100 | 470 | 200 | 250 | 190 | 175 | 80 | 160 | 120 | 360 | 280 | 110 | 340 | ø 18 | ø 14 | 24 | 50 | 80 |
| NCD(S)2P80-160 | 48 | 100 | 80 | 10 | 10 | 125 | 360 | 180 | 225 | 193 | 165 | 65 | 125 | 95 | 320 | 250 | 110 | 260 | ø 14 | ø 14 | 24 | 50 | 100 |
| NCD(S)2P80-200 | 80 | 100 | 80 | 10 | 10 | 125 | 470 | 180 | 250 | 194 | 170 | 65 | 125 | 95 | 345 | 280 | 110 | 340 | ø 14 | ø 14 | 32 | 80 | 100 |
| NCD(S)2P80-250 | 92 | 100 | 80 | 10 | 10 | 125 | 470 | 200 | 280 | 210 | 191 | 80 | 160 | 120 | 400 | 315 | 110 | 340 | ø 18 | ø 14 | 32 | 80 | 100 |
| NCD(S)2P100-200 | 83 | 125 | 100 | 10 | 10 | 125 | 470 | 200 | 280 | 212 | 180 | 80 | 160 | 120 | 360 | 280 | 110 | 340 | ø 18 | ø 14 | 32 | 80 | 125 |
| NCD(S)2P100-250 | 103 | 125 | 100 | 10 | 10 | 140 | 470 | 225 | 280 | 233 | 205 | 80 | 160 | 120 | 400 | 315 | 110 | 340 | ø 18 | ø 14 | 32 | 80 | 125 |
| NCD(S)4P32-125 | 25 | 50 | 32 | 10 | 10 | 80 | 360 | 112 | 140 | 97 | 93 | 50 | 100 | 70 | 190 | 140 | 110 | 260 | ø 14 | ø 14 | 24 | 50 | 50 |
| NCD(S)4P32-160 | 33 | 50 | 32 | 10 | 10 | 80 | 360 | 132 | 160 | 120 | 120 | 50 | 100 | 70 | 240 | 190 | 110 | 260 | ø 14 | ø 14 | 24 | 50 | 50 |
| NCD(S)4P32-200 | 37 | 50 | 32 | 10 | 10 | 80 | 360 | 160 | 180 | 140 | 140 | 50 | 100 | 70 | 240 | 190 | 110 | 260 | ø 14 | ø 14 | 24 | 50 | 50 |
| NCD(S)4P40-160 | 33 | 65 | 40 | 10 | 10 | 80 | 360 | 132 | 160 | 119 | 119 | 50 | 100 | 70 | 240 | 190 | 110 | 260 | ø 14 | ø 14 | 24 | 50 | 65 |
| NCD(S)4P40-200 | 40 | 65 | 40 | 10 | 10 | 100 | 360 | 160 | 180 | 140 | 140 | 50 | 100 | 70 | 265 | 212 | 110 | 260 | ø 14 | ø 14 | 24 | 50 | 65 |
| NCD(S)4P40-250 | 55 | 65 | 40 | 10 | 10 | 100 | 360 | 180 | 225 | 175 | 175 | 65 | 125 | 95 | 320 | 250 | 110 | 260 | ø 14 | ø 14 | 24 | 50 | 65 |
| NCD(S)4P50-125 | 34 | 65 | 50 | 10 | 10 | 100 | 360 | 132 | 160 | 137 | 121 | 50 | 100 | 70 | 240 | 190 | 110 | 260 | ø 14 | ø 14 | 24 | 50 | 65 |
| NCD(S)4P50-160 | 33 | 65 | 50 | 10 | 10 | 100 | 360 | 160 | 180 | 141 | 127 | 50 | 100 | 70 | 265 | 212 | 110 | 260 | ø 14 | ø 14 | 24 | 50 | 65 |
| NCD(S)4P50-200 | 44 | 65 | 50 | 10 | 10 | 100 | 360 | 160 | 200 | 153 | 140 | 50 | 100 | 70 | 265 | 212 | 110 | 260 | ø 14 | ø 14 | 24 | 50 | 65 |
| NCD(S)4P50-250 | 57 | 65 | 50 | 10 | 10 | 100 | 360 | 180 | 225 | 175 | 175 | 65 | 125 | 95 | 320 | 250 | 110 | 260 | ø 14 | ø 14 | 24 | 50 | 65 |
| NCD(S)4P65-125 | 38 | 80 | 65 | 10 | 10 | 100 | 360 | 160 | 180 | 155 | 134 | 65 | 125 | 95 | 280 | 212 | 110 | 260 | ø 14 | ø 14 | 24 | 50 | 80 |
| NCD(S)4P65-160 | 40 | 80 | 65 | 10 | 10 | 100 | 360 | 160 | 200 | 172 | 150 | 65 | 125 | 95 | 280 | 212 | 110 | 260 | ø 14 | ø 14 | 24 | 50 | 80 |
| NCD(S)4P65-200 | 48 | 80 | 65 | 10 | 10 | 100 | 360 | 180 | 225 | 175 | 155 | 65 | 125 | 95 | 320 | 250 | 110 | 260 | ø 14 | ø 14 | 24 | 50 | 80 |
| NCD(S)4P65-250 | 89 | 80 | 65 | 10 | 10 | 100 | 470 | 200 | 250 | 190 | 175 | 80 | 160 | 120 | 360 | 280 | 110 | 340 | ø 18 | ø 14 | 24 | 50 | 80 |
| NCD(S)4P65-315 | 131 | 80 | 65 | 10 | 10 | 125 | 470 | 225 | 280 | 220 | 220 | 80 | 160 | 120 | 400 | 315 | 110 | 340 | ø 18 | ø 14 | 32 | 80 | 80 |
| NCD(S)4P80-160 | 48 | 100 | 80 | 10 | 10 | 125 | 360 | 180 | 225 | 193 | 165 | 65 | 125 | 95 | 320 | 250 | 110 | 260 | ø 14 | ø 14 | 24 | 50 | 100 |
| NCD(S)4P80-200 | 80 | 100 | 80 | 10 | 10 | 125 | 470 | 180 | 250 | 194 | 170 | 65 | 125 | 95 | 345 | 280 | 110 | 340 | ø 14 | ø 14 | 32 | 80 | 100 |
| NCD(S)4P80-250 | 92 | 100 | 80 | 10 | 10 | 125 | 470 | 200 | 280 | 210 | 191 | 80 | 160 | 120 | 400 | 315 | 110 | 340 | ø 18 | ø 14 | 32 | 80 | 100 |
| NCD(S)4P80-315 | 128 | 100 | 80 | 10 | 10 | 125 | 470 | 250 | 315 | 232 | 220 | 80 | 160 | 120 | 400 | 315 | 110 | 340 | ø 18 | ø 14 | 32 | 80 | 100 |
| NCD(S)4P80-400 | 184 | 100 | 80 | 10 | 10 | 125 | 530 | 280 | 355 | 268 | 268 | 80 | 160 | 120 | 435 | 355 | 110 | 370 | ø 18 | ø 14 | 42 | 110 | 100 |
| NCD(S)4P100-200 | 83 | 125 | 100 | 10 | 10 | 125 | 470 | 200 | 280 | 212 | 180 | 80 | 160 | 120 | 360 | 280 | 110 | 340 | ø 18 | ø 14 | 32 | 80 | 125 |
| NCD(S)4P100-250 | 103 | 125 | 100 | 10 | 10 | 140 | 470 | 225 | 280 | 233 | 205 | 80 | 160 | 120 | 400 | 315 | 110 | 340 | ø 18 | ø 14 | 32 | 80 | 125 |
| NCD(S)4P100-315 | 138 | 125 | 100 | 10 | 10 | 140 | 470 | 250 | 315 | 250 | 230 | 80 | 160 | 120 | 400 | 315 | 110 | 340 | ø 18 | ø 14 | 32 | 80 | 125 |

Selection - dimensions and weights for base mounted electric pumps
 Sélection - dimensions et poids des électropompes sur socle
 Selezione - dimensioni e pesi elettropompe su base



| Pump Pompe Pompa | | Motor Moteur Motore | | Weight Poids Peso | BGAD | A* | B* | E | F* | G* | I* | L* | M* | O* | P* | R* | V* | Z | a | f | h2 | r | s | | |
|------------------------|-------------|---------------------------|------|--------------------------|------|----------------------|------|------|-----|-----|------|-----|-----|------|------|-----|-----|------|----|-----|-----|-----|----|----|--|
| Type Type Tipo | DNa [mm] | DNm [mm] | [kW] | Size Taille Grand. | [kg] | Type Type Tipo | [mm] | | | | | | | | | | | | | | | | | | |
| NCD2P32-125 | 50 | 32 | 1,1 | 80M2 | 68 | 1002 | 773 | 780 | 90 | 15 | 750 | 240 | 180 | ∅ 14 | 85 | 197 | 322 | 295 | 38 | 80 | 360 | 140 | 10 | 10 | |
| NCD2P32-125 | 50 | 32 | 1,5 | 90S2 | 72 | 1003 | 833 | 780 | 90 | 15 | 750 | 240 | 180 | ∅ 14 | 85 | 197 | 335 | 355 | 38 | 80 | 360 | 140 | 10 | 10 | |
| NCD2P32-160 | 50 | 32 | 2,2 | 90L2 | 81 | 1004 | 863 | 780 | 90 | 15 | 750 | 240 | 180 | ∅ 14 | 85 | 217 | 355 | 385 | 38 | 80 | 360 | 160 | 10 | 10 | |
| NCD2P32-160 | 50 | 32 | 3 | 100L2 | 107 | 1006 | 894 | 880 | 90 | 15 | 850 | 300 | 240 | ∅ 14 | 100 | 232 | 382 | 405 | 49 | 80 | 360 | 160 | 10 | 10 | |
| NCD2P32L-160 | 50 | 32 | 4 | 112M2 | 107 | 1007 | 929 | 880 | 90 | 15 | 850 | 300 | 240 | ∅ 14 | 100 | 232 | 404 | 440 | 49 | 80 | 360 | 160 | 10 | 10 | |
| NCD2P32-200 | 50 | 32 | 4 | 112M2 | 115 | 1012 | 929 | 880 | 90 | 15 | 850 | 300 | 240 | ∅ 14 | 100 | 260 | 432 | 440 | 49 | 80 | 360 | 180 | 10 | 10 | |
| NCD2P32-200 | 50 | 32 | 5,5 | 132S2 | 151 | 1013 | 943 | 1020 | 100 | 15 | 990 | 350 | 290 | ∅ 14 | 100 | 260 | 452 | 455 | 48 | 80 | 360 | 180 | 10 | 10 | |
| NCD2P32L-200 | 50 | 32 | 7,5 | 132S2 | 158 | 1013 | 943 | 1020 | 100 | 15 | 990 | 350 | 290 | ∅ 14 | 100 | 260 | 452 | 455 | 48 | 80 | 360 | 180 | 10 | 10 | |
| NCD2P40-125 | 65 | 40 | 2,2 | 90L2 | 77 | 1015 | 863 | 780 | 90 | 15 | 750 | 240 | 180 | ∅ 14 | 85 | 197 | 335 | 385 | 38 | 80 | 360 | 140 | 10 | 10 | |
| NCD2P40-160 | 65 | 40 | 4 | 112M2 | 109 | 1007 | 929 | 880 | 90 | 15 | 850 | 300 | 240 | ∅ 14 | 100 | 232 | 404 | 440 | 49 | 80 | 360 | 160 | 10 | 10 | |
| NCD2P40-160 | 65 | 40 | 5,5 | 132S2 | 142 | 1017 | 943 | 1020 | 90 | 15 | 990 | 350 | 290 | ∅ 14 | 100 | 232 | 424 | 455 | 48 | 80 | 360 | 160 | 10 | 10 | |
| NCD2P40-200 | 65 | 40 | 7,5 | 132S2 | 158 | 1019 | 963 | 1020 | 100 | 15 | 990 | 350 | 290 | ∅ 14 | 100 | 260 | 452 | 455 | 48 | 100 | 360 | 180 | 10 | 10 | |
| NCD2P40-250 | 65 | 40 | 15 | 160M2 | 266 | 1021 | 1105 | 1020 | 100 | 15 | 990 | 350 | 290 | ∅ 14 | 100 | 280 | 531 | 627 | 18 | 100 | 360 | 225 | 10 | 10 | |
| NCD2P50-125 | 65 | 50 | 4 | 112M2 | 110 | 1007 | 949 | 880 | 90 | 15 | 850 | 300 | 240 | ∅ 14 | 100 | 232 | 404 | 440 | 49 | 100 | 360 | 160 | 10 | 10 | |
| NCD2P50-160 | 65 | 50 | 7,5 | 132S2 | 152 | 1019 | 963 | 1020 | 100 | 15 | 990 | 350 | 290 | ∅ 14 | 100 | 260 | 452 | 455 | 48 | 100 | 360 | 180 | 10 | 10 | |
| NCD2P50-200 | 65 | 50 | 11 | 160M2 | 233 | 1024 | 1105 | 1020 | 100 | 15 | 990 | 350 | 290 | ∅ 14 | 100 | 260 | 511 | 627 | 18 | 100 | 360 | 200 | 10 | 10 | |
| NCD2P50-250 | 65 | 50 | 18,5 | 160L2 | 280 | 1021 | 1105 | 1020 | 100 | 15 | 990 | 350 | 290 | ∅ 14 | 100 | 280 | 531 | 627 | 18 | 100 | 360 | 225 | 10 | 10 | |
| NCD2P65-125 | 80 | 65 | 7,5 | 132S2 | 157 | 1019 | 963 | 1020 | 100 | 15 | 990 | 350 | 290 | ∅ 14 | 100 | 260 | 452 | 455 | 48 | 100 | 360 | 180 | 10 | 10 | |
| NCD2P65-160 | 80 | 65 | 15 | 160M2 | 241 | 1024 | 1105 | 1020 | 100 | 15 | 990 | 350 | 290 | ∅ 14 | 100 | 260 | 511 | 627 | 18 | 100 | 360 | 200 | 10 | 10 | |
| NCD2P65-200 | 80 | 65 | 22 | 180M2 | 315 | 1026 | 1185 | 1140 | 100 | 15 | 1110 | 350 | 290 | ∅ 14 | 100 | 280 | 550 | 665 | 60 | 100 | 360 | 225 | 10 | 10 | |
| NCD2P65-250 | 80 | 65 | 37 | 200L2 | 470 | 1031 | 1365 | 1360 | 130 | 20 | 1320 | 400 | 340 | ∅ 18 | 110 | 310 | 610 | 738 | 57 | 100 | 470 | 250 | 10 | 10 | |
| NCD2P80-160 | 100 | 80 | 18,5 | 160L2 | 270 | 1021 | 1130 | 1020 | 100 | 15 | 990 | 350 | 290 | ∅ 14 | 100 | 280 | 531 | 627 | 18 | 125 | 360 | 225 | 10 | 10 | |
| NCD2P80-250 | 100 | 80 | 55 | 250M2 | 611 | 1042 | 1492 | 1250 | 95 | 205 | 840 | 480 | 430 | ∅ 24 | 16 | 415 | 790 | 870 | 27 | 125 | 470 | 280 | 10 | 10 | |
| NCD2P100-200 | 125 | 100 | 45 | 225M2 | 507 | 1050 | 1427 | 1250 | 95 | 205 | 840 | 480 | 430 | ∅ 24 | 16 | 385 | 715 | 775 | 57 | 125 | 470 | 280 | 10 | 10 | |
| NCD2P100-250 | 125 | 100 | 75 | 280S2 | 834 | 1052 | 1637 | 1400 | 95 | 230 | 940 | 510 | 450 | ∅ 24 | 17,5 | 505 | 900 | 1000 | 27 | 140 | 470 | 280 | 10 | 10 | |

BGAD = Base and coupling BGAD = Socle et accouplement BGAD = Base e giunto
 * = Indicatives values according to the type of motor installed. * = Valeurs indicatives en fonction de la marque du moteur utilisé. * = Valori indicativi in funzione della marca di motore utilizzato.
 ○ Motor in IE4 efficiency class according to EU REGULATION 2019/1781. Available in other efficiency classes for non-EU markets. ○ Moteur en classe de rendement IE4 conformément au RÈGLEMENT UE2019/1781. Disponibilité en différentes classes de rendements pour les marchés hors UE. ○ Motore in classe di efficienza IE4 in conformità al REGOLAMENTO UE2019/1781. Disponibili in altre classi di efficienza per mercati extra UE.