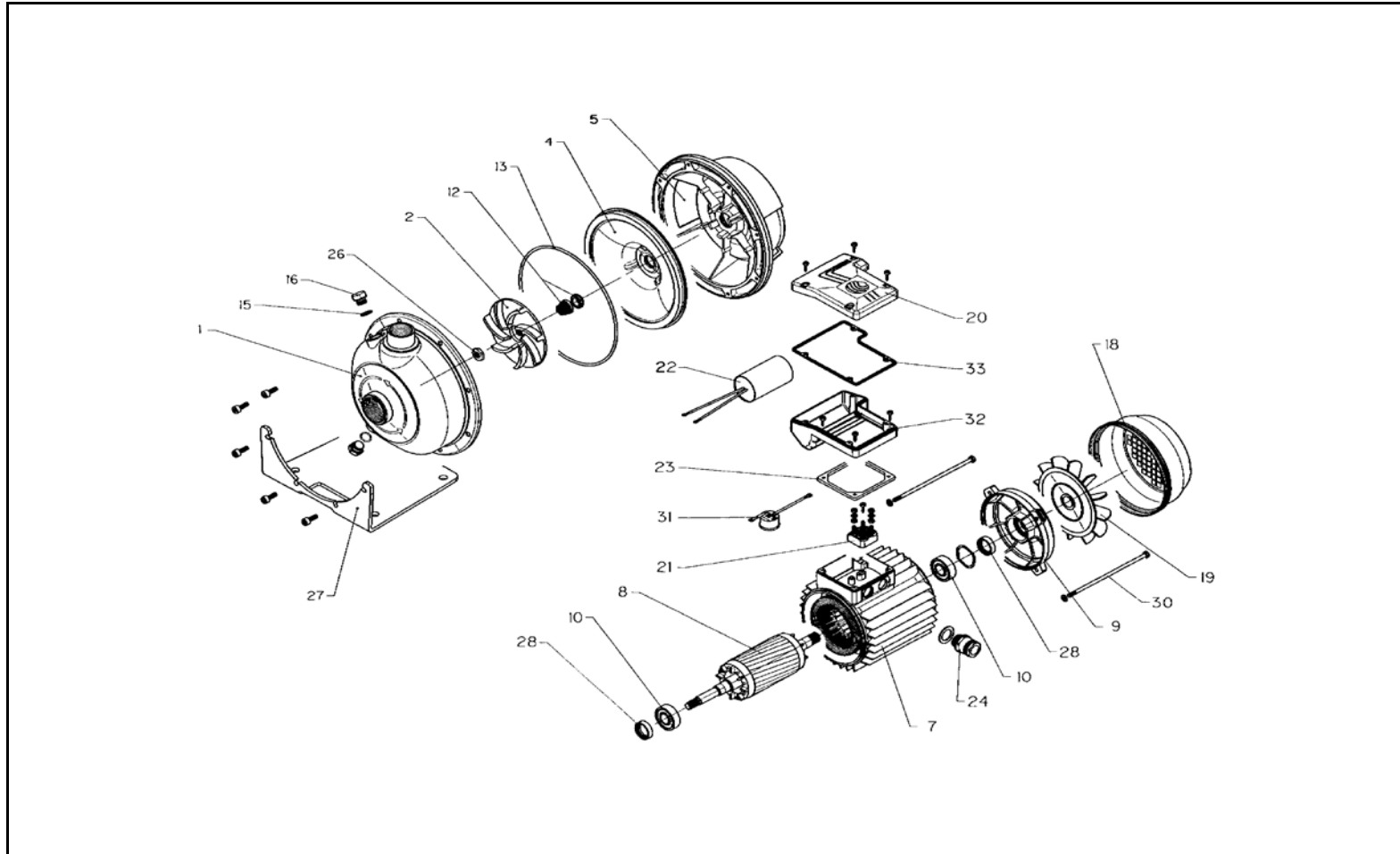


xylem

CO-COM 500 Serie - Series



ITEM N.	DESCRIZIONE	DESCRIPTION	Q.TA' Q.TY	CODICE - CODE				
				CO500/15/D	CO500/22/D	CO500/30/D	COM500/15/A	COM500/22/P
				104491060	104491070	104491080	107350060	101820070
				1,5 kW	2,2 kW	3 kW	1,5 kW	2,2 kW
				CO/D: motor IE3 fitted			-	
1	Corpo pompa	Pump body	1	151301690				
* 2	Girante	Impeller	1	150702550	150702560	150702570	150702550	150702560
4	Disco portatenuta	Seal holding disc	1	160102460				
5	Lanterna	Adaptor	1	KL21AAC	5KL21AAA		KL21AAC	5KL21AAA
7	Cassa motore c/statore	Motor case w/ stator	1	KL25ADH	5KL25AAB	5KL25ABP	KR0101300	5KL25AAG
8	Albero-rotore-cuscinetti	Shaft-rotor-bearings	1	KL09ACQ	5KL09AEV	5KL09AEW	KL09AAN	5KL09AAS
9	Coperchio motore	Motor cover	1	5KL20AA7				5KL20AAZ
* 10	Cuscinetti	Bearings	1	KL11AAU	5KL11AA1	5KL11AA1	KL11AAC	5KL11AAA
	Tipo	Type		6204/6204 HE	6204/6205 HE	6204/6205 HE	6204/6204	6203/6205
* 12	Tenuta meccanica	Mechanical seal	1	KL01ABF				
* 13	OR	OR	1	002221638				
* 15	OR	OR	2	002221603				
16	Tappi carico + scarico	Fill + Drain plugs	->	168400090				
18	Copriventola	Fan cover	1	KL29AAE	5KL29AAA		KL29AAE	5KL29AAA
19	Ventola	Fan	1	140760160	540760010		140760160	540760010
20	Cop. scatola mors.	Terminal box cover	1					
21	Morsettiera	Terminal board	1	5830AAA				5830AAA
	Connettore Plug-in	Plug-in element		158160280			158160510	
22	Condensatore	Capacitor	1	-			150990480	5828AAB
23	Guarniz. scatola mors.	Terminal box gasket	1					
24	Pressacavo M20x1,5	Cable gland M20x1,5	1	002858761	572858800		002858761	572858800
26	Dado arresto girante	Impeller fastening nut	1	167000230				
27	Piede di sostegno	Support foot	1	161403630				
28	Anelli di tenuta	Seal rings	1	KL03ABP	5KL03AAA		KL03ABP	5KL03AAA
30	Tirante	Tie rod	1	5KL22AAA				5KL22AAA
31	Motoprotettore	Overload protection	1	(2)			(1)	(2)
32	Scatola morsettiera	Terminal box	1	KL30AAA	5KL30AAE		KL30AAB	5KL30AAE
33	Guarniz. scatola mors.	Terminal box gasket	1					

\* Parti di ricambio consigliate - Recommended spare parts  
 Versione Speciale FPM - FPM Special Version : CO../K /A (cod.XN) : Tenuta - Seal : 002231493

(1) Protezione insieme al connettore "Plug-in"  
 Protection together to "Plug-in" element  
 (2) Protezione a carico dell' utente  
 Protection to be charged of the user