

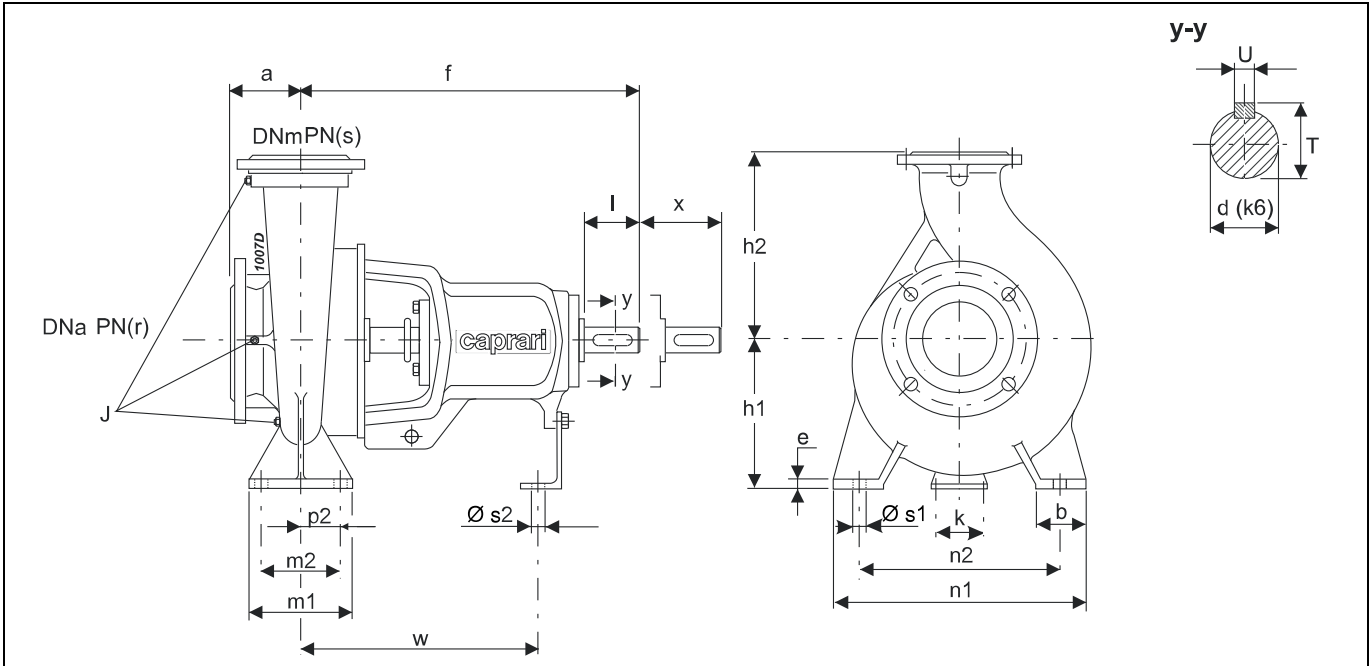
| Type<br>Type<br>Tipo | Inlet maximum pressure (*)<br>Pression maximale en aspiration (*)<br>Pressione massima in aspirazione (*) | Dynamic momentum J<br>Momentum dynamique J<br>Momento dinamico J        |  |
|----------------------|---|---|--|
|                      |   | With cast iron impellers<br>Avec roues en fonte<br>Con giranti in ghisa | With AISI 316 impellers<br>Avec roues en AISI 316<br>Con giranti in AISI 316 |
|                      |   | J = 1/4 PD <sup>2</sup>   |  |
|                      | [bar]   | [kgm <sup>2</sup> ]   | [kgm <sup>2</sup> ]  |
| NC250-315            | 5   | 0,2963399   | (F) 0,3386741  |

Construction reference standard EN733 (DIN24255)  
(\*) Value referred to the impeller with maximum diameter.

Norme de référence construction EN733 (DIN24255)  
(\*) Valeur se référant à la roue à ailettes avec le diamètre maximum.

Norma di riferimento costruttivo EN733 (DIN24255)  
(\*) Valore riferito alla girante con diametro massimo.

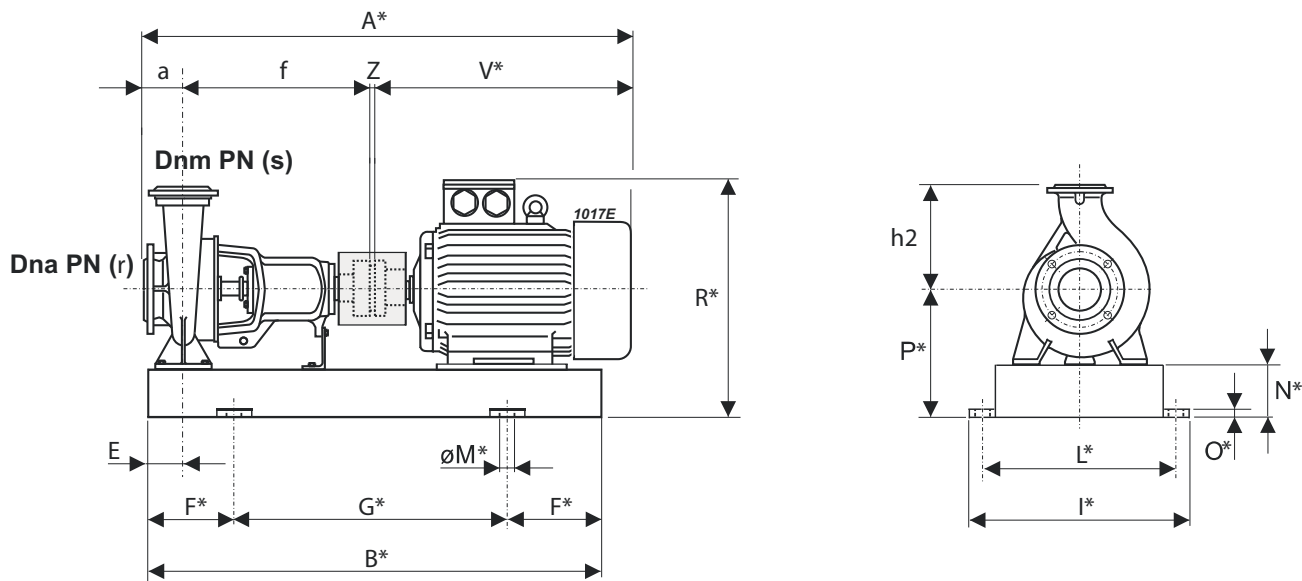
Overall dimensions and weights  
 Dimensions d'encombrement et poids  
 Dimensioni di ingombro e pesi



| Type<br>Type<br>Tipo | Dimensions pump<br>Dimensions pompe<br>Dimensioni pompa |     |    |    |     |     |     | Duck foot pedestal dimensions<br>Dimensiones pieds de soutien<br>Dimensioni piedi di appoggio |     |    |     |     |    |     |     |     |     | Shaft projection<br>Saillie d'arbre<br>Sporgenza d'albero |      |    |     |      | Plugs<br>Bouchons<br>Tappi | Weight<br>Poids<br>Peso |                         |      |
|----------------------|---|-----|----|----|-----|-----|-----|---|-----|----|-----|-----|----|-----|-----|-----|-----|---|------|----|-----|------|----------------------------|-------------------------|-------------------------|------|
|                      | DNa   | DNm | r  | s  | a   | f   | h1  | h2  | b   | e  | m1  | m2  | p2 | n1  | n2  | k   | w   | s1  | s2   | d  | l   | T    | U                          |                         | X                       | J    |
| [mm]                 |   |     |    |    |     |     |     |   |     |    |     |     |    |     |     |     |     |   |      |    |     |      |                            |                         |                         | [kg] |
| NC100-200            | 125   | 100 | 16 | 16 | 125 | 470 | 200 | 280   | 80  | 16 | 160 | 120 | -  | 360 | 280 | 110 | 340 | ø 18  | ø 14 | 32 | 80  | 35   | 10                         | 140                     | G3/8×3. G1/4            | 85   |
| NC100-250            | 125   | 100 | 16 | 16 | 140 | 470 | 225 | 280   | 80  | 16 | 160 | 120 | -  | 400 | 315 | 110 | 340 | ø 18  | ø 14 | 32 | 80  | 35   | 10                         | 140                     | G3/8×3. G3/8            | 106  |
| NC100-315            | 125   | 100 | 16 | 16 | 140 | 470 | 250 | 315   | 80  | 16 | 160 | 120 | -  | 400 | 315 | 110 | 340 | ø 18  | ø 14 | 32 | 80  | 35   | 10                         | 140                     | G3/8×3. G3/8            | 134  |
| NC100-400            | 125   | 100 | 16 | 16 | 140 | 530 | 280 | 355   | 100 | 18 | 200 | 150 | -  | 500 | 400 | 110 | 370 | ø 23  | ø 14 | 42 | 110 | 45   | 12                         | 140                     | G3/8×2 G1/2. G1/4       | 174  |
| NCH100-315           | 125   | 100 | 16 | 16 | 140 | 530 | 250 | 315   | 80  | 19 | 160 | 120 | -  | 400 | 315 | 110 | 370 | ø 18  | ø 14 | 42 | 110 | 45   | 12                         | 140                     | G1/4×3                  | 135  |
| NC125-200            | 150   | 125 | 16 | 16 | 140 | 470 | 250 | 315   | 80  | 16 | 160 | 120 | -  | 400 | 315 | 110 | 340 | ø 18  | ø 14 | 32 | 80  | 35   | 10                         | 140                     | G3/8×3. G3/8            | 106  |
| NC125-250            | 150   | 125 | 16 | 16 | 140 | 470 | 250 | 355   | 80  | 16 | 160 | 120 | -  | 400 | 315 | 110 | 340 | ø 18  | ø 14 | 32 | 80  | 35   | 10                         | 140                     | G3/8×3. G3/8            | 125  |
| NC125-315            | 150   | 125 | 16 | 16 | 140 | 530 | 280 | 355   | 100 | 18 | 200 | 150 | -  | 500 | 400 | 110 | 370 | ø 23  | ø 14 | 42 | 110 | 45   | 12                         | 140                     | G3/8×2 G1/2. G1/4       | 163  |
| NC125-400            | 150   | 125 | 16 | 16 | 140 | 530 | 315 | 400   | 100 | 18 | 200 | 150 | -  | 500 | 400 | 110 | 370 | ø 23  | ø 14 | 42 | 110 | 45   | 12                         | 140                     | G3/8×2 G1/2. G1/4       | 191  |
| NCH125-250           | 150   | 125 | 16 | 16 | 140 | 530 | 250 | 355   | 80  | 19 | 160 | 120 | -  | 400 | 315 | 110 | 370 | ø 18  | ø 14 | 42 | 110 | 45   | 12                         | 140                     | G1/4×3                  | 140  |
| NCH125-400           | 150   | 125 | 16 | 16 | 140 | 530 | 315 | 400   | 100 | 21 | 200 | 150 | -  | 500 | 400 | 110 | 370 | ø 18  | ø 14 | 42 | 110 | 45   | 12                         | 140                     | G1/4×3                  | 186  |
| NCH125-500           | 150   | 125 | 16 | 16 | 160 | 670 | 355 | 450   | 100 | 25 | 200 | 150 | -  | 550 | 450 | 140 | 500 | ø 23  | ø 18 | 48 | 110 | 51,5 | 14                         | 180                     | G1/4×3                  | 359  |
| NC150-200            | 200   | 150 | 16 | 16 | 160 | 495 | 280 | 400   | 100 | 20 | 200 | 150 | -  | 550 | 450 | 110 | 370 | ø 23  | ø 14 | 32 | 80  | 35   | 10                         | 180                     | G3/8×3. G1/4            | 181  |
| NC150-250            | 200   | 150 | 16 | 16 | 160 | 530 | 250 | 355   | 100 | 18 | 200 | 150 | -  | 450 | 350 | 110 | 370 | ø 23  | ø 14 | 42 | 110 | 45   | 12                         | 140                     | G1/4. G3/8×2 G1/2. G3/8 | 148  |
| NC150-315            | 200   | 150 | 16 | 16 | 160 | 530 | 280 | 400   | 100 | 18 | 200 | 150 | -  | 550 | 450 | 110 | 370 | ø 23  | ø 14 | 42 | 110 | 45   | 12                         | 140                     | G1/4×3                  | 170  |
| NC150-400            | 200   | 150 | 16 | 16 | 160 | 530 | 315 | 450   | 100 | 18 | 200 | 150 | -  | 550 | 450 | 110 | 370 | ø 23  | ø 14 | 42 | 110 | 45   | 12                         | 140                     | G3/8×2 G1/2. G1/4       | 209  |
| NCH150-500           | 200   | 150 | 16 | 16 | 160 | 670 | 400 | 500   | 100 | 25 | 200 | 150 | 60 | 550 | 450 | 140 | 480 | ø 23  | ø 18 | 60 | 140 | 64   | 18                         | 180                     | G3/8×3                  | 410  |
| NC200-250            | 250   | 200 | 16 | 16 | 180 | 553 | 315 | 450   | 100 | 20 | 200 | 150 | -  | 550 | 450 | 110 | 393 | ø 28  | ø 14 | 42 | 110 | 45   | 12                         | 180                     | G3/8×2 G1/2. G3/8       | 220  |
| NC200-315            | 250   | 200 | 16 | 16 | 180 | 670 | 315 | 480   | 120 | 20 | 220 | 170 | -  | 600 | 480 | 110 | 504 | ø 28  | ø 14 | 48 | 110 | 51   | 14                         | 180                     | G3/8×3. G3/8            | 251  |
| NC200-400            | 250   | 200 | 16 | 16 | 180 | 670 | 335 | 480   | 120 | 20 | 220 | 170 | -  | 600 | 480 | 110 | 504 | ø 28  | ø 14 | 48 | 110 | 51   | 14                         | 180                     | G3/8×3. G3/8            | 295  |
| NCH200-500           | 250   | 200 | 16 | 16 | 225 | 885 | 400 | 580   | 150 | 28 | 315 | 250 | -  | 760 | 630 | 180 | 670 | ø 28  | ø 18 | 65 | 140 | 69   | 18                         | 250                     | G3/8×3                  | 577  |
| NC250-315            | 300   | 250 | 16 | 16 | 220 | 691 | 355 | 520   | 150 | 22 | 250 | 200 | -  | 660 | 510 | 110 | 525 | ø 28  | ø 14 | 48 | 110 | 51   | 14                         | 180                     | G3/8×3. G3/8            | 311  |
| NC250-400            | 300   | 250 | 16 | 16 | 220 | 682 | 400 | 560   | 150 | 22 | 250 | 200 | -  | 660 | 510 | 110 | 516 | ø 28  | ø 14 | 48 | 110 | 51   | 14                         | 180                     | G3/8×3. G3/8            | 390  |
| NCH250-250           | 300   | 250 | 16 | 16 | 225 | 885 | 355 | 560   | 125 | 24 | 250 | 190 | -  | 630 | 500 | 180 | 670 | ø 23  | ø 18 | 65 | 140 | 69   | 18                         | 250                     | G3/8×3                  | 434  |
| NCH250-500           | 300   | 250 | 16 | 16 | 225 | 885 | 450 | 630   | 150 | 28 | 315 | 250 | -  | 760 | 630 | 180 | 670 | ø 28  | ø 18 | 65 | 140 | 69   | 18                         | 250                     | G3/8×3                  | 670  |
| NCHF250-500          | 300   | 250 | 16 | 16 | 225 | 885 | 450 | 630   | 150 | 28 | 315 | 250 | -  | 760 | 630 | 180 | 670 | ø 28  | ø 18 | 65 | 140 | 69   | 18                         | 250                     | G3/8×3                  | 670  |

Selection - dimensions and weights for base mounted electric pumps  
 Sélection - dimensions et poids des électropompes sur socle  
 Selezione - dimensioni e pesi elettropompe su base

COUPLINGS WITH STANDARDIZED ENCLOSED ELECTRIC MOTORS  
 ACCOUPLEMENTS AVEC MOTEURS ÉLECTRIQUES FERMÉS NORMALISÉS  
 ACCOPIAMENTI CON MOTORI ELETTRICI CHIUSI NORMALIZZATI



| Pump<br>Pompe<br>Pompa |             |             | Motor<br>Moteur<br>Motore |                          | BGAN                 | A    | B    | E   | F   | G    | I   | L   | M    | N   | O  | P   | R    | V    | Z | a   | f   | h2  | r  | s  | Weight<br>Poids<br>Peso |      |
|------------------------|-------------|-------------|---------------------------|--------------------------|----------------------|------|------|-----|-----|------|-----|-----|------|-----|----|-----|------|------|---|-----|-----|-----|----|----|-------------------------|------|
| Type<br>Type<br>Tipo   | DNa<br>[mm] | DNm<br>[mm] | [kW]                      | Size<br>Taille<br>Grand. | Type<br>Type<br>Tipo | [mm] |      |     |     |      |     |     |      |     |    |     |      |      |   |     |     |     |    |    |                         | [kg] |
| NC200-250              | 250         | 200         | 30                        | 200L                     | 1108/GY              | 1495 | 1305 | 110 | 200 | 905  | 680 | 630 | ø 22 | 160 | 50 | 475 | 775  | 758  | 4 | 180 | 553 | 450 | 16 | 16 | 621                     |      |
| NC200-250              | 250         | 200         | 37                        | 225S                     | 1109/GY              | 1530 | 1308 | 110 | 200 | 908  | 680 | 630 | ø 22 | 160 | 50 | 475 | 805  | 793  | 4 | 180 | 553 | 450 | 16 | 16 | 694                     |      |
| NC200-250              | 250         | 200         | 45                        | 225M                     | 1141/HY              | 1555 | 1333 | 110 | 200 | 933  | 680 | 630 | ø 22 | 160 | 50 | 475 | 805  | 818  | 4 | 180 | 553 | 450 | 16 | 16 | 703                     |      |
| NC200-250              | 250         | 200         | 55                        | 250M                     | 1110/HY              | 1617 | 1385 | 110 | 250 | 885  | 680 | 630 | ø 22 | 160 | 50 | 475 | 850  | 880  | 4 | 180 | 553 | 450 | 16 | 16 | 819                     |      |
| NC200-315              | 250         | 200         | 30                        | 200L                     | 1111/GY2             | 1612 | 1432 | 120 | 250 | 932  | 730 | 680 | ø 22 | 160 | 50 | 475 | 775  | 758  | 4 | 180 | 670 | 480 | 16 | 16 | 664                     |      |
| NC200-315              | 250         | 200         | 37                        | 225S                     | 1112/GY2             | 1647 | 1435 | 120 | 250 | 935  | 730 | 680 | ø 22 | 160 | 50 | 475 | 805  | 793  | 4 | 180 | 670 | 480 | 16 | 16 | 740                     |      |
| NC200-315              | 250         | 200         | 45                        | 225M                     | 1113/HY2             | 1672 | 1460 | 120 | 250 | 960  | 730 | 680 | ø 22 | 160 | 50 | 475 | 805  | 818  | 4 | 180 | 670 | 480 | 16 | 16 | 776                     |      |
| NC200-315              | 250         | 200         | 55                        | 250M                     | 1114/HY2             | 1734 | 1512 | 120 | 250 | 1012 | 730 | 680 | ø 22 | 160 | 50 | 475 | 850  | 880  | 4 | 180 | 670 | 480 | 16 | 16 | 861                     |      |
| NC200-315              | 250         | 200         | 75                        | 280S                     | 1115/IY2             | 1867 | 1559 | 120 | 250 | 1059 | 730 | 680 | ø 22 | 160 | 50 | 475 | 870  | 1013 | 4 | 180 | 670 | 480 | 16 | 16 | 926                     |      |
| NC200-400              | 250         | 200         | 75                        | 280S                     | 1116/IY2             | 1867 | 1584 | 145 | 250 | 1084 | 730 | 680 | ø 22 | 160 | 50 | 495 | 890  | 1013 | 4 | 180 | 670 | 480 | 16 | 16 | 963                     |      |
| NC200-400              | 250         | 200         | 90                        | 280M                     | 1117/IY2             | 1918 | 1635 | 145 | 250 | 1135 | 730 | 680 | ø 22 | 160 | 50 | 495 | 890  | 1064 | 4 | 180 | 670 | 480 | 16 | 16 | 1166                    |      |
| NC200-400              | 250         | 200         | 110                       | 315S                     | 1118/LY2             | 2065 | 1711 | 145 | 300 | 1111 | 780 | 730 | ø 22 | 160 | 50 | 495 | 1050 | 1211 | 4 | 180 | 670 | 480 | 16 | 16 | 1250                    |      |
| NC200-400              | 250         | 200         | 132                       | 315M                     | 1120/LY2             | 2175 | 1770 | 145 | 300 | 1170 | 780 | 730 | ø 22 | 160 | 50 | 495 | 1050 | 1321 | 4 | 180 | 670 | 480 | 16 | 16 | 1395                    |      |
| NCH200-500             | 250         | 200         | 90                        | 280M                     | 2027/IY4             | 2178 | 1885 | 170 | 300 | 1285 | 890 | 840 | ø 22 | 200 | 50 | 600 | 995  | 1064 | 4 | 225 | 885 | 580 | 16 | 16 | 1489                    |      |
| NCH200-500             | 250         | 200         | 110                       | 315S                     | 2028/LY4             | 2325 | 1961 | 170 | 350 | 1261 | 890 | 840 | ø 22 | 200 | 50 | 600 | 1155 | 1211 | 4 | 225 | 885 | 580 | 16 | 16 | 1701                    |      |
| NCH200-500             | 250         | 200         | 132                       | 315M                     | 2029/LY4             | 2435 | 2071 | 170 | 350 | 1371 | 890 | 840 | ø 22 | 200 | 50 | 600 | 1155 | 1321 | 4 | 225 | 885 | 580 | 16 | 16 | 1815                    |      |
| NCH200-500             | 250         | 200         | 160                       | 315L                     | 2029/MY5             | 2435 | 2071 | 170 | 350 | 1371 | 890 | 840 | ø 22 | 200 | 50 | 600 | 1155 | 1321 | 4 | 225 | 885 | 580 | 16 | 16 | 1965                    |      |
| NCH200-500             | 250         | 200         | 200                       | 315L                     | 2029/IE4/MY5         | 2525 | 2161 | 170 | 350 | 1461 | 890 | 840 | ø 22 | 200 | 50 | 600 | 1155 | 1411 | 4 | 225 | 885 | 580 | 16 | 16 | 2030                    |      |
| NCH200-500             | 250         | 200         | 250                       | 355M                     | 2026/NY5             | 2670 | 2215 | 170 | 350 | 1515 | 890 | 840 | ø 22 | 200 | 50 | 600 | 1201 | 1556 | 4 | 225 | 885 | 580 | 16 | 16 | 2442                    |      |
| NCH200-500             | 250         | 200         | 315                       | 355L                     | 2026/PY5             | 2670 | 2215 | 170 | 350 | 1515 | 890 | 840 | ø 22 | 200 | 50 | 600 | 1201 | 1556 | 4 | 225 | 885 | 580 | 16 | 16 | 2632                    |      |
| NC250-315              | 300         | 250         | 30                        | 200L                     | 1142/GY2             | 1673 | 1488 | 135 | 250 | 988  | 790 | 740 | ø 22 | 180 | 50 | 535 | 835  | 758  | 4 | 220 | 691 | 520 | 16 | 16 | 776                     |      |
| NC250-315              | 300         | 250         | 37                        | 225S                     | 1143/GY2             | 1708 | 1505 | 135 | 250 | 1005 | 790 | 740 | ø 22 | 180 | 50 | 535 | 865  | 793  | 4 | 220 | 691 | 520 | 16 | 16 | 809                     |      |
| NC250-315              | 300         | 250         | 45                        | 225M                     | 1144/HY2             | 1733 | 1530 | 135 | 250 | 1030 | 790 | 740 | ø 22 | 180 | 50 | 535 | 865  | 818  | 4 | 220 | 691 | 520 | 16 | 16 | 854                     |      |
| NC250-315              | 300         | 250         | 55                        | 250M                     | 1145/HY2             | 1795 | 1558 | 135 | 250 | 1058 | 790 | 740 | ø 22 | 180 | 50 | 535 | 910  | 880  | 4 | 220 | 691 | 520 | 16 | 16 | 1025                    |      |
| NC250-315              | 300         | 250         | 75                        | 280S                     | 1146/IY2             | 1928 | 1605 | 135 | 250 | 1105 | 790 | 740 | ø 22 | 180 | 50 | 535 | 930  | 1013 | 4 | 220 | 691 | 520 | 16 | 16 | 946                     |      |
| NC250-400              | 300         | 250         | 75                        | 280S                     | 1147/IY2             | 1919 | 1596 | 135 | 250 | 1096 | 790 | 740 | ø 22 | 200 | 50 | 600 | 995  | 1013 | 4 | 220 | 682 | 560 | 16 | 16 | 1207                    |      |
| NC250-400              | 300         | 250         | 90                        | 280M                     | 1148/IY2             | 1970 | 1647 | 135 | 250 | 1147 | 790 | 740 | ø 22 | 200 | 50 | 600 | 995  | 1064 | 4 | 220 | 682 | 560 | 16 | 16 | 1213                    |      |
| NC250-400              | 300         | 250         | 110                       | 315S                     | 1149/LY2             | 2117 | 1723 | 135 | 300 | 1123 | 790 | 740 | ø 22 | 200 | 50 | 600 | 1155 | 1211 | 4 | 220 | 682 | 560 | 16 | 16 | 1499                    |      |
| NC250-400              | 300         | 250         | 132                       | 315M                     | 1119/LY2             | 2227 | 1833 | 135 | 300 | 1233 | 790 | 740 | ø 22 | 200 | 50 | 600 | 1155 | 1321 | 4 | 220 | 682 | 560 | 16 | 16 | 1500                    |      |
| NC250-400              | 300         | 250         | 160                       | 315L                     | 1119/LY2             | 2227 | 1833 | 135 | 300 | 1233 | 790 | 740 | ø 22 | 200 | 50 | 600 | 1155 | 1321 | 4 | 220 | 682 | 560 | 16 | 16 | 1650                    |      |
| NC250-400              | 300         | 250         | 200                       | 315L                     | 1119/IE4/LY2         | 2317 | 1923 | 135 | 300 | 1323 | 790 | 740 | ø 22 | 200 | 50 | 600 | 1155 | 1411 | 4 | 220 | 682 | 560 | 16 | 16 | 1806                    |      |
| NCH250-250             | 300         | 250         | 75                        | 280S                     | 2054/IY4             | 2127 | 1799 | 135 | 300 | 1199 | 760 | 710 | ø 22 | 180 | 50 | 535 | 930  | 1013 | 4 | 225 | 885 | 560 | 16 | 16 | 1136                    |      |
| NCH250-500             | 300         | 250         | 160                       | 315L                     | 2024/MY5             | 2435 | 2071 | 170 | 350 | 1371 | 890 | 840 | ø 22 | 220 | 50 | 670 | 1225 | 1321 | 4 | 225 | 885 | 630 | 16 | 16 | 2075                    |      |
| NCH250-500             | 300         | 250         | 200                       | 315L                     | 2024/IE4/MY5         | 2525 | 2161 | 170 | 350 | 1461 | 890 | 840 | ø 22 | 220 | 50 | 670 | 1225 | 1411 | 4 | 225 | 885 | 630 | 16 | 16 | 2163                    |      |
| NCH250-500             | 300         | 250         | 250                       | 355M                     | 2040/NY5             | 2670 | 2165 | 170 | 350 | 1465 | 890 | 840 | ø 22 | 220 | 50 | 670 | 1271 | 1556 | 4 | 225 | 885 | 630 | 16 | 16 | 2605                    |      |
| NCH250-500             | 300         | 250         | 315                       | 355L                     | 2040/PY5             | 2670 | 2235 | 170 | 350 | 1535 | 890 | 840 | ø 22 | 220 | 50 | 670 | 1271 | 1556 | 4 | 225 | 885 | 630 | 16 | 16 | 2795                    |      |
| NCH250-500             | 300         | 250         | 355                       | 355L                     | 2040/PY5             | 2670 | 2235 | 170 | 350 | 1535 | 890 | 840 | ø 22 | 220 | 50 | 670 | 1271 | 1556 | 4 | 225 | 885 | 630 | 16 | 16 | 2810                    |      |

BGAN = Base and coupling  
 \* = Indicatives values according to the type of motor installed.  
 ○ Motor in IE4 efficiency class according to EU REGULATION 2019/1781. Available in other efficiency classes for non-EU markets.

BGAN = Socle et accouplement  
 \* = Valeurs indicatives en fonction de la marque du moteur utilisé.  
 ○ Moteur en classe de rendement IE4 conformément au RÈGLEMENT UE2019/1781. Disponibilité en différentes classes de rendement pour les marchés hors UE.

BGAN = Base e giunto  
 \* = Valori indicativi in funzione della marca di motore utilizzato.  
 ○ Motore in classe di efficienza IE4 in conformità al REGOLAMENTO UE2019/1781. Disponibili in altre classi di efficienza per mercati extra UE.