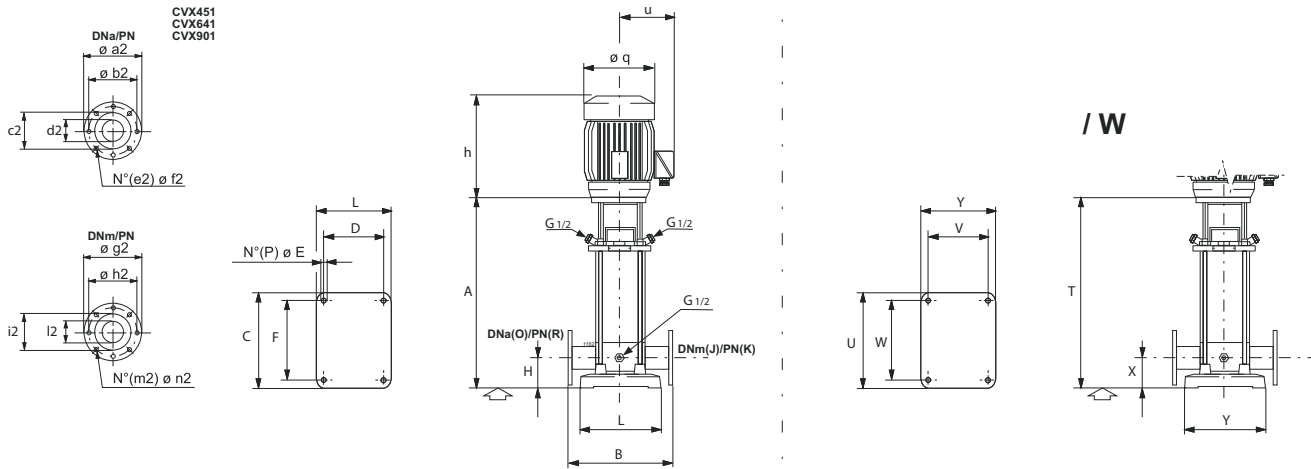


| Electric pump type <i>Electropompe type</i> Elettropompa tipo | | Motor power <i>Puiss. moteur</i> Potenza motore | | Capacity <i>Debit</i> Portata | | | | | | | | | | | | | | | | |
|---|---------------------------|---|----|-------------------------------------|-----|------|-----|--|------|------|------|------|------|------|------|------|----|----|------|------|
| | | | | [l/s] | 0 | 12 | 14 | 16 | 18 | 20 | 22 | 24 | 26 | 28 | 30 | 32 | | | | |
| | | | | [m³/h] | 0 | 43 | 50 | 58 | 65 | 72 | 79 | 86 | 94 | 101 | 108 | 115 | | | | |
| | | | | [l/min] | 0 | 720 | 840 | 960 | 1080 | 1200 | 1320 | 1440 | 1560 | 1680 | 1800 | 1920 | | | | |
| Single-phase <i>Monophasé</i> Monofase | | Three-phase <i>Triphasé</i> Trifase | | [kW] | | [CV] | | Total manometric head <i>Hauteur manométrique totale</i> Prevalenza manometrica totale | | | | | | | | | | | | |
| | | | | | | | | [m] | 70 | 60 | 58 | 55 | 53 | 50 | 47 | 44 | 41 | 37 | 32,5 | 27,5 |
| | CVX901/2+E31500T222-V/G | 15 | 20 | [m] | 106 | 90 | 87 | 83 | 80 | 76 | 73 | 68 | 64 | 58 | 52 | 44 | | | | |
| | CVX901/3+E32200T222-V/G | 22 | 30 | [m] | 82 | 72 | 69 | 67 | 64 | 61 | 57 | 52 | 46 | 39 | 31 | 22 | | | | |
| | CVX901/3-2+E31850T222-V/G | 18,5 | 25 | [m] | 141 | 121 | 116 | 112 | 107 | 102 | 97 | 92 | 85 | 78 | 70 | 60 | | | | |
| | CVX901/4+E33000T222-V/G | 30 | 40 | [m] | 176 | 150 | 145 | 139 | 134 | 128 | 122 | 114 | 106 | 97 | 87 | 75 | | | | |
| | CVX901/5+E33700T222-V/G | 37 | 50 | [m] | 212 | 181 | 174 | 167 | 160 | 153 | 145 | 137 | 128 | 118 | 105 | 91 | | | | |
| | CVX901/6+E34500T222-V/G | 45 | 60 | [m] | 1,5 | 1,6 | 1,7 | 1,9 | 2,2 | 2,6 | 3,1 | 3,7 | 4,6 | 5,5 | 6,6 | | | | | |
| NPSH | | | | [m] | | | | | | | | | | | | | | | | |

M.E.I. ≥ 0.40

Overall dimensions and weights
Dimensions d'encadrement et poids
Dimensioni di ingombro e pesi



Variatione delle quote solo per la versione / W
Different dimensions for / W version only

| Type Type Tipo | A | B | C | D | E | F | H | J | K | L | O | P | R | h | q | u | a2 | b2 | c2 | d2 | e2 | f2 | g2 | h2 | i2 | l2 | m2 | n2 | Weight Poids Peso |
|----------------------------|------|-----|-----|-----|----|-----|-----|-----|----------|-----|-----|---|----------|-----|-----|-----|-----|-----|-----|-----|----|----|-----|-----|-----|-----|----|----|-------------------------|
| CVX451/1+E30400T212-V/G | 561 | 365 | 330 | 188 | 14 | 268 | 142 | 80 | 16-25-40 | 247 | 80 | 4 | 16-25-40 | 345 | 220 | 172 | 200 | 160 | 120 | 80 | 8 | 18 | 200 | 160 | 120 | 80 | 8 | 18 | 91,3 |
| CVX451/2+E30750T222-V/G | 641 | 365 | 330 | 188 | 14 | 268 | 142 | 80 | 16-25-40 | 247 | 80 | 4 | 16-25-40 | 375 | 256 | 192 | 200 | 160 | 120 | 80 | 8 | 18 | 200 | 160 | 120 | 80 | 8 | 18 | 112,9 |
| CVX451/3+E31100T222-V/G | 831 | 365 | 330 | 188 | 14 | 268 | 142 | 80 | 16-25-40 | 247 | 80 | 4 | 16-25-40 | 517 | 315 | 265 | 200 | 160 | 120 | 80 | 8 | 18 | 200 | 160 | 120 | 80 | 8 | 18 | 205,6 |
| CVX451/4+E31500T222-V/G | 911 | 365 | 330 | 188 | 14 | 268 | 142 | 80 | 16-25-40 | 247 | 80 | 4 | 16-25-40 | 517 | 315 | 265 | 200 | 160 | 120 | 80 | 8 | 18 | 200 | 160 | 120 | 80 | 8 | 18 | 220,3 |
| CVX451/5-2+E31850T222-V/G | 991 | 365 | 330 | 188 | 14 | 268 | 142 | 80 | 16-25-40 | 247 | 80 | 4 | 16-25-40 | 517 | 315 | 265 | 200 | 160 | 120 | 80 | 8 | 18 | 200 | 160 | 120 | 80 | 8 | 18 | 235,9 |
| CVX451/6+E32200T222-V/G | 1071 | 365 | 330 | 188 | 14 | 268 | 142 | 80 | 16-25-40 | 247 | 80 | 4 | 16-25-40 | 555 | 360 | 280 | 200 | 160 | 120 | 80 | 8 | 18 | 200 | 160 | 120 | 80 | 8 | 18 | 280,4 |
| CVX451/9-2+E33000T222-V/G | 1311 | 365 | 330 | 188 | 14 | 268 | 142 | 80 | 16-25-40 | 247 | 80 | 4 | 16-25-40 | 628 | 400 | 310 | 200 | 160 | 120 | 80 | 8 | 18 | 200 | 160 | 120 | 80 | 8 | 18 | 355,6 |
| CVX451/10+E33700T222-V/G | 1391 | 365 | 330 | 188 | 14 | 268 | 142 | 80 | 16-25-40 | 247 | 80 | 4 | 16-25-40 | 628 | 400 | 310 | 200 | 160 | 120 | 80 | 8 | 18 | 200 | 160 | 120 | 80 | 8 | 18 | 390,7 |
| CVX451/13-2+E34500T222-V/G | 1631 | 365 | 330 | 188 | 14 | 268 | 142 | 80 | 16-25-40 | 247 | 80 | 4 | 16-25-40 | 665 | 450 | 330 | 200 | 160 | 120 | 80 | 8 | 18 | 200 | 160 | 120 | 80 | 8 | 18 | 448,7 |
| CVX641/2+E31100T222-V/G | 756 | 380 | 330 | 188 | 14 | 266 | 142 | 100 | 25 | 247 | 100 | 4 | 16 | 517 | 315 | 265 | 220 | 180 | 150 | 100 | 8 | 18 | 235 | 190 | 150 | 100 | 8 | 22 | 196,2 |
| CVX641/3-1+E31500T222-V/G | 838 | 380 | 330 | 188 | 14 | 266 | 142 | 100 | 25 | 247 | 100 | 4 | 16 | 517 | 315 | 265 | 220 | 180 | 150 | 100 | 8 | 18 | 235 | 190 | 150 | 100 | 8 | 22 | 211,6 |
| CVX641/4+E32200T222-V/G | 921 | 380 | 330 | 188 | 14 | 266 | 142 | 100 | 25 | 247 | 100 | 4 | 16 | 555 | 360 | 280 | 220 | 180 | 150 | 100 | 8 | 18 | 235 | 190 | 150 | 100 | 8 | 22 | 268,3 |
| CVX641/4-2+E31850T222-V/G | 921 | 380 | 330 | 188 | 14 | 266 | 142 | 100 | 25 | 247 | 100 | 4 | 16 | 517 | 315 | 265 | 220 | 180 | 150 | 100 | 8 | 18 | 235 | 190 | 150 | 100 | 8 | 22 | 227,5 |
| CVX641/6-2+E33000T222-V/G | 1086 | 380 | 330 | 188 | 14 | 266 | 142 | 100 | 25 | 247 | 100 | 4 | 16 | 628 | 400 | 310 | 220 | 180 | 150 | 100 | 8 | 18 | 235 | 190 | 150 | 100 | 8 | 22 | 340,3 |
| CVX641/7-1+E33700T222-V/G | 1168 | 380 | 330 | 188 | 14 | 266 | 142 | 100 | 25 | 247 | 100 | 4 | 16 | 628 | 400 | 310 | 220 | 180 | 150 | 100 | 8 | 18 | 235 | 190 | 150 | 100 | 8 | 22 | 372,2 |
| CVX641/8-1+E34500T222-V/G | 1255 | 380 | 330 | 188 | 14 | 266 | 142 | 100 | 25 | 247 | 100 | 4 | 16 | 665 | 450 | 330 | 220 | 180 | 150 | 100 | 8 | 18 | 235 | 190 | 150 | 100 | 8 | 22 | 437,2 |
| CVX901/2+E31500T222-V/G | 774 | 380 | 346 | 199 | 14 | 280 | 140 | 100 | 25 | 263 | 100 | 4 | 16 | 517 | 315 | 265 | 220 | 180 | 150 | 100 | 8 | 18 | 235 | 190 | 150 | 100 | 8 | 22 | 221,9 |
| CVX901/3+E32200T222-V/G | 866 | 380 | 346 | 199 | 14 | 280 | 140 | 100 | 25 | 263 | 100 | 4 | 16 | 555 | 360 | 280 | 220 | 180 | 150 | 100 | 8 | 18 | 235 | 190 | 150 | 100 | 8 | 22 | 279,7 |
| CVX901/3-2+E31850T222-V/G | 866 | 380 | 346 | 199 | 14 | 280 | 140 | 100 | 25 | 263 | 100 | 4 | 16 | 517 | 315 | 265 | 220 | 180 | 150 | 100 | 8 | 18 | 235 | 190 | 150 | 100 | 8 | 22 | 238,9 |
| CVX901/4+E33000T222-V/G | 958 | 380 | 346 | 199 | 14 | 280 | 140 | 100 | 25 | 263 | 100 | 4 | 16 | 628 | 400 | 310 | 220 | 180 | 150 | 100 | 8 | 18 | 235 | 190 | 150 | 100 | 8 | 22 | 349,1 |
| CVX901/5+E33700T222-V/G | 1050 | 380 | 346 | 199 | 14 | 280 | 140 | 100 | 25 | 263 | 100 | 4 | 16 | 628 | 400 | 310 | 220 | 180 | 150 | 100 | 8 | 18 | 235 | 190 | 150 | 100 | 8 | 22 | 383,5 |
| CVX901/6+E34500T222-V/G | 1142 | 380 | 346 | 199 | 14 | 280 | 140 | 100 | 25 | 263 | 100 | 4 | 16 | 665 | 450 | 330 | 220 | 180 | 150 | 100 | 8 | 18 | 235 | 190 | 150 | 100 | 8 | 22 | 449,6 |

| Type / Type / Tipo | T | U | V | W | X | Y | Weight / Poids / Peso |
|----------------------------|------|-----|-----|-----|-----|-----|-----------------------|
| CVX451/1+E30400T212-V/G | 559 | 330 | 190 | 265 | 140 | 251 | 91,3 |
| CVX451/2+E30750T222-V/G | 639 | 330 | 190 | 265 | 140 | 251 | 112,9 |
| CVX451/3+E31100T222-V/G | 829 | 330 | 190 | 265 | 140 | 251 | 205,6 |
| CVX451/4+E31500T222-V/G | 909 | 330 | 190 | 265 | 140 | 251 | 220,3 |
| CVX451/5-2+E31850T222-V/G | 989 | 330 | 190 | 265 | 140 | 251 | 235,9 |
| CVX451/6+E32200T222-V/G | 1069 | 330 | 190 | 265 | 140 | 251 | 280,4 |
| CVX451/9-2+E33000T222-V/G | 1309 | 330 | 190 | 265 | 140 | 251 | 355,6 |
| CVX451/10+E33700T222-V/G | 1389 | 330 | 190 | 265 | 140 | 251 | 390,7 |
| CVX451/13-2+E34500T222-V/G | 1629 | 330 | 190 | 265 | 140 | 251 | 448,7 |
| CVX641/2+E31100T222-V/G | 756 | 330 | 190 | 265 | 140 | 251 | 196,2 |
| CVX641/3-1+E31500T222-V/G | 838 | 330 | 190 | 265 | 140 | 251 | 211,6 |
| CVX641/4+E32200T222-V/G | 921 | 330 | 190 | 265 | 140 | 251 | 268,3 |
| CVX641/4-2+E31850T222-V/G | 921 | 330 | 190 | 265 | 140 | 251 | 227,5 |
| CVX641/6-2+E33000T222-V/G | 1086 | 330 | 190 | 265 | 140 | 251 | 340,3 |
| CVX641/7-1+E33700T222-V/G | 1168 | 330 | 190 | 265 | 140 | 251 | 372,2 |
| CVX641/8-1+E34500T222-V/G | 1255 | 330 | 190 | 265 | 140 | 251 | 437,2 |
| CVX901/2+E31500T222-V/G | 778 | 345 | 199 | 280 | 140 | 260 | 221,9 |
| CVX901/3+E32200T222-V/G | 870 | 345 | 199 | 280 | 140 | 260 | 279,7 |
| CVX901/3-2+E31850T222-V/G | 870 | 345 | 199 | 280 | 140 | 260 | 238,9 |
| CVX901/4+E33000T222-V/G | 962 | 345 | 199 | 280 | 140 | 260 | 349,1 |
| CVX901/5+E33700T222-V/G | 1054 | 345 | 199 | 280 | 140 | 260 | 383,5 |
| CVX901/6+E34500T222-V/G | 1146 | 345 | 199 | 280 | 140 | 260 | 449,6 |