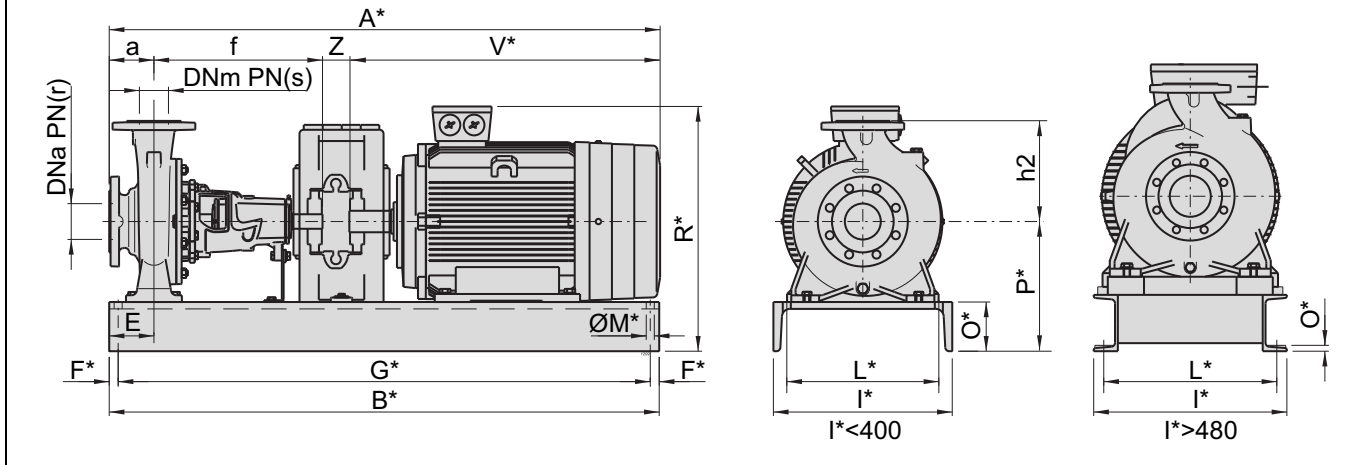


| | |
|----------------------|---|
| Type Type Tipo | Inlet maximum pressure Pression maximale en aspiration Pressione massima in aspirazione |
| NCDS4P80-160 | [bar] 10 |

Selection - dimensions and weights for base mounted electric pumps
 Sélection - dimensions et poids des électropompes sur socle
 Selezione - dimensioni e pesi elettropompe su base

COUPLINGS WITH STANDARDIZED ENCLOSED ELECTRIC MOTORS
 ACCOUPLEMENTS AVEC MOTEURS ÉLECTRIQUES FERMÉS NORMALISÉS
 ACCOPIAMENTI CON MOTORI ELETTRICI CHIUSI NORMALIZZATI



| Pump Pompe Pompa | | Motor Moteur Motore | | Weight Poids Peso | BGAD | A* | B* | E | F* | G* | I* | L* | M* | O* | P* | R* | V* | Z | a | f | h2 | r | s | | |
|------------------------|-------------|---------------------------|------|--------------------------|------|----------------------|------|------|-----|-----|------|-----|-----|------|------|-----|-----|------|----|-----|-----|-----|----|----|--|
| Type Type Tipo | DNa [mm] | DNm [mm] | [kW] | Size Taille Grand. | [kg] | Type Type Tipo | [mm] | | | | | | | | | | | | | | | | | | |
| NCDS4P32-200 | 50 | 32 | 0,75 | 80M4 | 81 | 1011 | 773 | 780 | 90 | 15 | 750 | 240 | 180 | ø 14 | 85 | 245 | 370 | 295 | 38 | 80 | 360 | 180 | 10 | 10 | |
| NCDS4P40-160 | 65 | 40 | 0,75 | 80M4 | 75 | 1016 | 773 | 780 | 90 | 15 | 750 | 240 | 180 | ø 14 | 85 | 217 | 342 | 295 | 38 | 80 | 360 | 160 | 10 | 10 | |
| NCDS4P40-200 | 65 | 40 | 1,1 | 90S4 | 101 | 1020 | 853 | 880 | 100 | 15 | 850 | 300 | 240 | ø 14 | 100 | 260 | 398 | 355 | 38 | 100 | 360 | 180 | 10 | 10 | |
| NCDS4P40-250 | 65 | 40 | 3 | 100L4 | 146 | 1023 | 914 | 880 | 100 | 15 | 850 | 350 | 290 | ø 14 | 100 | 280 | 430 | 405 | 49 | 100 | 360 | 225 | 10 | 10 | |
| NCDS4P50-160 | 65 | 50 | 1,1 | 90S4 | 95 | 1020 | 853 | 880 | 100 | 15 | 850 | 300 | 240 | ø 14 | 100 | 260 | 398 | 355 | 38 | 100 | 360 | 180 | 10 | 10 | |
| NCDS4P50-200 | 65 | 50 | 2,2 | 100L4 | 118 | 1009 | 914 | 880 | 90 | 15 | 850 | 300 | 240 | ø 14 | 100 | 260 | 410 | 405 | 49 | 100 | 360 | 200 | 10 | 10 | |
| NCDS4P50-250 | 65 | 50 | 4 | 112M4 | 155 | 1025 | 949 | 880 | 100 | 15 | 850 | 350 | 290 | ø 14 | 100 | 280 | 452 | 440 | 49 | 100 | 360 | 225 | 10 | 10 | |
| NCDS4P65-125 | 80 | 65 | 1,1 | 90S4 | 99 | 1020 | 853 | 880 | 100 | 15 | 850 | 300 | 240 | ø 14 | 100 | 260 | 398 | 355 | 38 | 100 | 360 | 180 | 10 | 10 | |
| NCDS4P65-160 | 80 | 65 | 1,5 | 90L4 | 105 | 1020 | 883 | 880 | 100 | 15 | 850 | 300 | 240 | ø 14 | 100 | 260 | 398 | 385 | 38 | 100 | 360 | 200 | 10 | 10 | |
| NCDS4P65-200 | 80 | 65 | 3 | 100L4 | 139 | 1023 | 914 | 880 | 100 | 15 | 850 | 350 | 290 | ø 14 | 100 | 280 | 430 | 405 | 49 | 100 | 360 | 225 | 10 | 10 | |
| NCDS4P65-250 | 80 | 65 | 5,5 | 132S4 | 220 | 1032 | 1045 | 1030 | 130 | 20 | 990 | 400 | 340 | ø 18 | 110 | 310 | 502 | 455 | 20 | 100 | 470 | 250 | 10 | 10 | |
| NCDS4P65-315 | 80 | 65 | 11 | 160M4 | 372 | 1034 | 1226 | 1230 | 130 | 20 | 1190 | 400 | 340 | ø 18 | 110 | 335 | 586 | 627 | 4 | 125 | 470 | 280 | 10 | 10 | |
| NCDS4P80-160 | 100 | 80 | 2,2 | 100L4 | 135 | 1023 | 939 | 880 | 100 | 15 | 850 | 350 | 290 | ø 14 | 100 | 280 | 430 | 405 | 49 | 125 | 360 | 225 | 10 | 10 | |
| NCDS4P80-200 | 100 | 80 | 4 | 112M4 | 188 | 1039 | 1084 | 1020 | 100 | 15 | 990 | 350 | 290 | ø 14 | 100 | 280 | 452 | 440 | 49 | 125 | 470 | 250 | 10 | 10 | |
| NCDS4P80-250 | 100 | 80 | 7,5 | 132M4 | 230 | 1032 | 1105 | 1030 | 130 | 20 | 990 | 400 | 340 | ø 18 | 110 | 310 | 502 | 490 | 20 | 125 | 470 | 280 | 10 | 10 | |
| NCDS4P80-315 | 100 | 80 | 15 | 160L4 | 384 | 1043 | 1226 | 1230 | 130 | 20 | 1190 | 400 | 340 | ø 18 | 110 | 360 | 611 | 627 | 4 | 125 | 470 | 315 | 10 | 10 | |
| NCDS4P80-400 | 100 | 80 | 30 | 200L4 | 559 | 1046 | 1440 | 1250 | 115 | 205 | 840 | 480 | 430 | ø 24 | 16 | 445 | 745 | 758 | 27 | 125 | 530 | 355 | 10 | 10 | |
| NCDS4P100-200 | 125 | 100 | 5,5 | 132S4 | 214 | 1032 | 1070 | 1030 | 130 | 20 | 990 | 400 | 340 | ø 18 | 110 | 310 | 502 | 455 | 20 | 125 | 470 | 280 | 10 | 10 | |
| NCDS4P100-250 | 125 | 100 | 11 | 160M4 | 346 | 1034 | 1241 | 1230 | 130 | 20 | 1190 | 400 | 340 | ø 18 | 110 | 335 | 586 | 627 | 4 | 140 | 470 | 280 | 10 | 10 | |
| NCDS4P100-315 | 125 | 100 | 18,5 | 180M4 | 444 | 1044 | 1335 | 1360 | 130 | 20 | 1320 | 400 | 340 | ø 18 | 110 | 360 | 630 | 665 | 60 | 140 | 470 | 315 | 10 | 10 | |
| NCDS4P100-400 | 125 | 100 | 37 | 225S4 | 619 | 1055 | 1467 | 1250 | 115 | 205 | 840 | 480 | 430 | ø 24 | 16 | 445 | 775 | 793 | 4 | 140 | 530 | 355 | 10 | 10 | |
| NCDS4P125-250 | 150 | 125 | 15 | 160L4 | 377 | 1043 | 1241 | 1230 | 130 | 20 | 1190 | 400 | 340 | ø 18 | 110 | 360 | 611 | 627 | 4 | 140 | 470 | 355 | 10 | 10 | |
| NCDS4P125-315 | 150 | 125 | 30 | 200L4 | 561 | 1054 | 1455 | 1250 | 115 | 205 | 840 | 480 | 430 | ø 24 | 16 | 445 | 745 | 758 | 27 | 140 | 530 | 355 | 10 | 10 | |
| NCDS4P125-400 | 150 | 125 | 55 | 250M4 | 843 | 1058 | 1554 | 1400 | 115 | 230 | 940 | 510 | 450 | ø 24 | 17,5 | 540 | 915 | 880 | 4 | 140 | 530 | 400 | 10 | 10 | |
| NCDS4P150-315 | 200 | 150 | 37 | 225S4 | 623 | 1061 | 1487 | 1250 | 115 | 205 | 840 | 480 | 430 | ø 24 | 16 | 445 | 775 | 793 | 4 | 160 | 530 | 400 | 10 | 10 | |
| NCDS4P150-400 | 200 | 150 | 75 | 280S4 | 936 | 1064 | 1714 | 1400 | 115 | 230 | 940 | 510 | 450 | ø 24 | 17,5 | 540 | 930 | 1020 | 4 | 160 | 530 | 450 | 10 | 10 | |

BGAD = Base and coupling

* = Indicatives values according to the type of motor installed.

BGAD = Socle et accouplement

* = Valeurs indicatives en fonction de la marque du moteur utilisé.

BGAD = Base e giunto

* = Valori indicativi in funzione della marca di motore utilizzato.