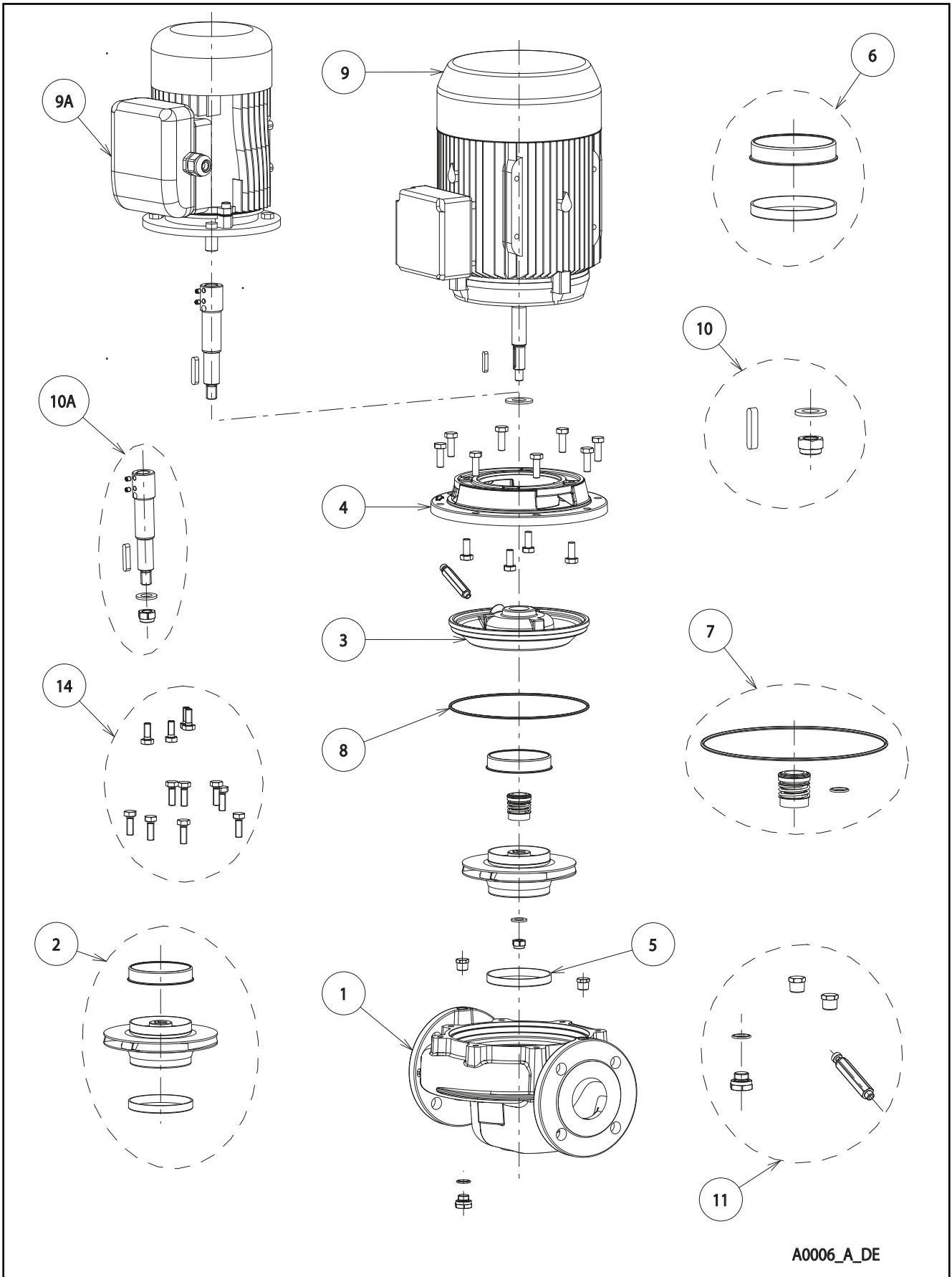


## LNEE ELP

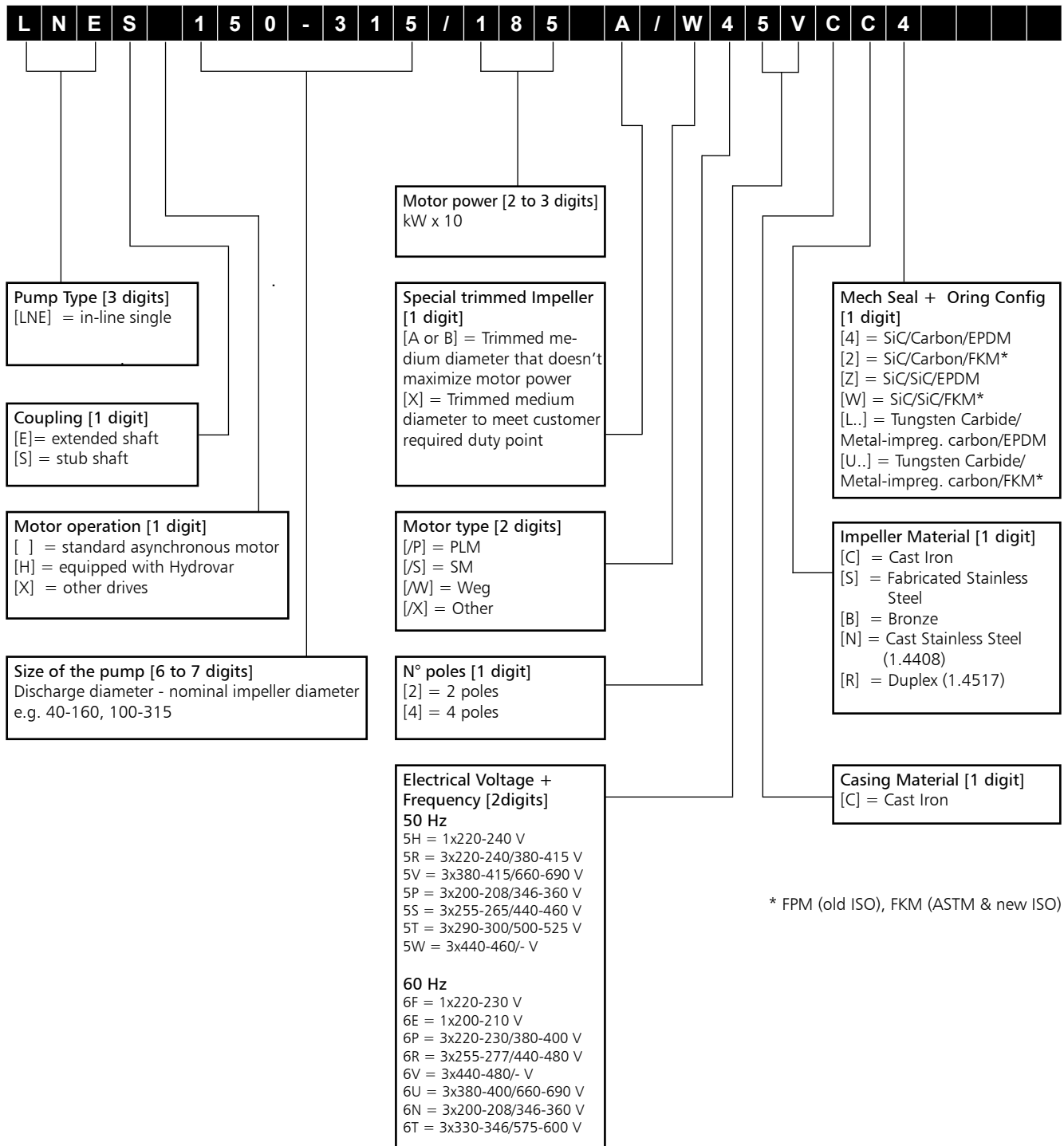


A0006\_A\_DE

Xylem and Lowara are trademarks of Xylem Inc. or one of its subsidiaries. Goulds is a registered trademark of Goulds Pumps, Inc and is used under license.

N.	Descrizione it	Description en	Description fr	Beschreibung de	Descripción es	Descrição pt
1	Corpo pompa con anello usura	Casing with wear ring	Corps de pompe avec anneau d'usure	Pumpengehäuse mit Ausgleichsring	Caja bomba con anillo de desgaste	Corpo da bomba com anel de desgaste
2	Girante e anelli di usura	Impeller and wear rings	Roue et anneaux d'usure	Laufrad und Verschleißbringe	Rodete y anillos de desgaste	Impulsor e anéis de desgaste
3	Disco portatenuta (con anello di usura)	Seal housing disc (with wear ring)	Disque d'étanchéité (avec anneau d'usure)	Dichtungsscheibe (mit Verschleißbringe)	Disco de alojamiento retén (con anillo de desgaste)	Disco porta-vedante (com anel de desgaste)
4	Lanterna	Pump bracket	Support de la pompe	Pumpenhalter	Soporte de bomba	Suporte da bomba
5	Anello di usura	Wear ring	Anneau d'usure	Verschleißbringe	Espesor	Casquilha
6	Kit anelli di usura	Kit wear rings	Kit anneaux d'usure	Verschleißbringe [Satz]	Kit anillos de desgaste	Kit anéis de desgaste
7	Tenuta meccanica e guarnizione OR	Mechanical seal and O-Ring	Garniture mécanique et joint torique	Gleitringdichtung und O-Ring	Retén mecánico y aro tórico	Vedante mecánico e vedação OR
8	Guarnizione OR	O-Ring	Joint torique	O-Ring	Aro tórico	Vedação OR
9	Motore completo	Complete motor	Moteur complet	Kompletter Motor	Motor completo	Motor complete
9A	Motore completo (4 poli grand. 71)	Complete motor (4-poles size 71)	Moteur complet (4 pôles taille 71)	Kompletter Motor (4polig Größe 71)	Motor completo (4 polos tamaño 71)	Motor complete (4 pólos grandeza 71)
10	Kit dado girante e linguetta	Kit impeller nut and key	Kit ecrou de roue et clavette	Laufrad Mutter und Passfeder [Satz]	Kit tuerca y lengüeta de rodete	Kit porca e lingueta do impulsor
10A	Giunto con dado girante (4 poli grand. 71)	Coupling with impeller nut (4-poles size 71)	Manchon avec ecrou de roue (4 pôles taille 71)	Kupplung mit Laufrad Satz (4polig Größe 71)	Junta con tuerca de rodete (4 polos tamaño 71)	Junta com porca do impulsor (4 pólos grandeza 71)
11	Valvola e tappi	Valve and plugs	Vanne et bouchons	Ventil und Stutzin	Válvula y tapones	Válvula e tampões
14	Kit Viterie	Screws kit	Kit Visserie	Bausatz Schrauben	Kit tornillos	Kit parafusos
N.	Beschrijving nl	Περιγραφή el	Açıklama tr	Kuvaus fi	Описание ru	Opis pl
1	Pomphuis met slijtring	Σώμα αντλίας και δακτύλιος τριβής	Pompa gövdesi ve aşınma halkası	Pumpun runko kulumisrenkaalla	корпус насоса (с изнашиваемым кольцом)	Korpus pompy (z wymiennym pierścieniem)
2	Waaier en slijtringen	Φτερωτή και δακτύλιοι τριβής	Pompa rotoru ve aşınma halkaları	Juoksupyörä ja kulumisrenkaat	Рабочее колесо и изнашиваемые кольца	Wirnik i pierścienie wymienne
3	Dichtingssteunplaat (met slijtring)	Δίσκος μηχανικού στυπιοθλίπτη ( και δακτύλιος τριβής )	Sızdırmazlık disk (aşınma halkası ile)	Tiivisteenn kannatuslevy (kulumisrenkaalla)	Диск держателя прокладки (с изнашиваемым кольцом)	Tarcza uszczelki (z wymiennym pierścieniem)
4	Pomp houder	Κάτοχος της αντλίας	Pompa tutucusu	Pumpun kiinnitin	держатель насос	Posiadaczem pompy
5	Schraapring	Δακτύλιος τριβής	Aşınma halkası	Kulumisrenkaan	утолщающая прокладка	Wymiennym pierścieniem
6	Set Slijtringen	Σετ δακτύλιοι τριβής	Aşınma halkaları kiti	Kulumisrenkaiden sarja	изнашиваемые кольца тяг	Zestaw pierścieni wymiennych
7	Mechanische asafdichting en O-ringafdichting	Μηχανικός στυπιοθλίπτης και ροδέλες στεγανοποίησης	Mekanik conta ve O-Ring	Mekaaninen tiiviste ja O-rengas	Механическая прокладка и уплотнение OR	Uszczelnienie mechaniczne i uszczelka O-Ring
8	O-ringafdichting	Ροδέλα στεγανοποίησης	O-Ring	O-rengas	Прокладка OR	Uszczelka O-Ring
9	Complete motor	Πλήρης κινητήρας	Komple motor	Täydellinen moottori	Укомплектованный двигатель	Kompletny silnik
9A	Complete motor (4-poliig grootte 71)	Πλήρης κινητήρας ( 4-πόλων μέγεθος 71 )	Komple motor (4 kutuplu; boyu: 71)	Täydellinen moottori (4 napaa, koko 71)	Укомплектованный двигатель (4 полюса величина 71)	Kompletny silnik (4 bieguny wielkość 71)
10	Waaierbevestigingsblok (moer, ring en spie)	Σετ ασφάλισης περρυγιού (παξιμάδι, ροδέλα, σφήνα)	Pompa rotorunu sabitleme takımı (somun, rondela ve kama)	Juoksupyörän kiinnityskokonaisuus (mutteri, välirengas ja kiila)	Узел фиксации рабочего колеса (гайка, шайба и шпонка)	Zespół mocujący wirnika (nakrętka, podkładka i wpust)
10A	Koppeling met waaierbevestigingsblok (4-poliig grootte 71)	Προέκταση άξονα και σετ ασφάλισης περρυγιού ( 4-πόλων μέγεθος 71 )	Pompa rotorunu sabitleme takımı ile mafsal (4 kutuplu; boyu: 71)	Liitos juoksupyörän kiinnityskokonaisuudella (4 napaa, koko 71)	Соединение с узлом фиксации рабочего колеса (4 полюса величина 71)	Złącze z zespołem mocującym wirnika (4 bieguny wielkość 71)
11	Klep en doppen	Βαλβίδα εξαέρωσης και τάπες	Valf ve tapalar	Venttiili ja tulpat	Клапан и заглушки	Zawór i nakrętki
14	Kit met schroeven	Σετ βιδών	Vida kiti	Ruuvisarja	КОМПЛЕКТ винтов	Zestaw wkrętów

## e-LNE SERIES IDENTIFICATION CODE



\* FPM (old ISO), FKM (ASTM & new ISO)

### EXAMPLES

#### LNES 125-160/22/W45RCC4

In-line single, electric pump stub shaft coupling, DN125 nominal discharge port, 160 mm nominal impeller diameter, 2,2 kW rated motor power, WEG IE3 model, 4 pole, 50 Hz 220-240/380-415 V, cast iron casing, cast iron impeller, Silicon Carbide/Carbon/EPDM mechanical seal.

#### LNES 150-200/55/W45VCB4

In-line single, electric pump stub shaft coupling, DN150 nominal discharge port, 200 mm nominal impeller diameter, 5,5kW rated motor power, WEG IE3 model, 4 pole, 50 Hz 380-415/660-690 V, cast iron casing, bronze impeller, Silicon Carbide/Carbon/EPDM mechanical seal.

Production date > Feb 2015

## LNEE 40/.25.CS4

220-240/1/50 digit H  
230-400/3/50 up to 3 kW digit R  
400-690/3/50 since 4 kW digit V

LNEE		40-125/11/S	40-125/15/S	40-125/22/P	40-125/30/P	40-160/22/P	40-160/30/P	40-160/40/P	40-160/55/P	40-200/30/P	40-200/40/P
ELP 1 ~, 2P		101881700	101881710	101881720	-	101881740					
ELP 3 ~, 2P		101880360	101880370	101880380	101880390	101880410	101880420	101880430	101880440	101880460	101880470
	kw ->	1,1	1,5	2,2	3,0	2,2	3,0	4,0	5,5	3,0	4,0
		40-200/55/P	40-200/75/P	40-250/75/P	40-250/92/P	40-250/110/P	40-250/150/P				
		101882480	101882490	101882510	101882520	101882530	101882540				
	kw ->	5,5	7,5	7,5	9,2	11,0	15,0				

### Kit

2*	Impeller A316	KL04AL7	KL04AL8	KL04AL9	KL04AMA	KL04AMB	KL04AMC	KL04AMD	KL04AME	KL04AMF	KL04AMG
		KL04AMH	KL04AMK	KL04AML	KL04AMM	KL04AMN	KL04AMP				
5	Wear ring, front	168602370	168602370	168602370	168602370	168602370	168602370	168602370	168602370		
6	Wear rings kit									KL03ACP	KL03ACP
		KL03ACP	KL03ACP	KL03ACQ	KL03ACQ	KL03ACQ	KL03ACQ				

7*	Material->	<b>BQ1EGG</b>	<b>Q1Q1EGG</b>	<b>U3AEGG</b>	<b>BQ1VGG</b>	<b>Q1Q1VGG</b>	<b>U3AVGG</b>	STD -> Mech BQ1EGG - OR EPDM
	Mech. Seal D22 kit	KL01AF1	KL01AF2	KL01AGL	KL01AF4	KL01AF5	KL01AGM	<b>40-125 -&gt;200</b>
	Mech. Seal D28 kit	KL01AF7	KL01AF8	KL01AGN	KL01AGA	KL01AGB	KL01AGP	<b>40-250</b>
8*	OR Kit EPDM	KL02AAH	<b>All Versions incl. 3 Dia - OR</b>					
	OR Kit FPM	KL02AAK						

10	Imp. lock kit M12	KL39AAA		<b>40-125-&gt;200</b>
	Imp. lock kit M16	KL39AAB		<b>40-250</b>
10A	Coupling D:18	KL10AAG		<b>4P-&gt;160/03</b>
11	Valves and plugs EPDM	KL34ABA		
	Valves and plugs FPM	KL34ABB		
14	Screws kit	N/A		

### Single Unit

1	Casing+wear ring	151352320	151352320	151352320	151352320	151352320	151352320	151352320	151352320	151352340	151352340
		151352340	151352340	151352600	151352600	151352600	151352600				
3	Seal-housing disc	160150201	160150201	160150201	160150201	160150201	160150201	160150201	160150201	150150071	150150071
		150150071	150150071	150150091	150150091	150150091	150150091				
4	Pump bracket	161430511	161430511	161430511	161430511	161430511	161430511	161430521	161430521	161453131	161453141
		161453141	161453151	161452881	161452881	161452881	161452841				
9**	Motor 1~, 2P	107230260	107230270	50004HH00XA		50004HH00XA					
		SM90R	SM90R	PLM90		PLM90					
	Motor 3~, 2P	107234050	107234060	50A01RN00	50A02RH00	50A01RN00	50A02RH00	50A08VN00	50A13VH00	50A02RH00	50A08VN00
		50A13VH00	50A17VH00	50A17VP00	50A18VP00	50A19VP00	50A24VR00				
		SM90R	SM90R	PLM90	PLM90	PLM90	PLM90	PLM112R	PLM112	PLM90	PLM112R
		PLM112	PLM132	PLM132	PLM132	PLM132	PLM160				

\* Recommended spare parts - Parti di ricambio consigliate

\* Pièces détachées conseillées - Empfohlene Ersatzteile

\*\* Motor spare parts: see motor lists - Parti di ricambio motore: vedi liste motore

\*\* Pièces détachées Moteur : voir listes moteur - Motor-Ersatzteile: gem. Motorlisten

LNEE\_40-100\_5\_Feb15\_EdA

Production date > Feb 2015

## LNEE 50/.25.CS4

220-240/1/50 digit H  
230-400/3/50 up to 3 kW digit R  
400-690/3/50 since 4 kW digit V

LNEE		50-125/15/S	50-125/22/P	50-125/30/P	50-125/40/P	50-160/30/P	50-160/40/P	50-160/55/P	50-160/75/P	50-200/55/P	50-200/75/P
ELP 1 ~, 2P		101881820	101881830								
ELP 3 ~, 2P		101880620	101880630	101880640	101880650	101880670	101880680	101880690	101880700	101880720	101880730
	kw ->	1,5	2,2	3,0	4,0	3,0	4,0	5,5	7,5	5,5	7,5
		50-200/92/P	50-200/110/P	50-250/92/P	50-250/110/P	50-250/150/P	50-250/185/P	50-250/220/P			
		101880740	101880750	101880770	101880780	101880790	101880800	101880810			
	kw ->	9,2	11,0	9,2	11,0	15,0	18,5	22,0			

### Kit

2*	Impeller A316	KL04AMQ	KL04AMR	KL04AMS	KL04AMT	KL04AMU	KL04AMV	KL04AMW	KL04AMX	KL04AMY	KL04AMZ
		KL04AM0	KL04AM1	KL04AM2	KL04AM3	KL04AM4	KL04AM5	KL04AM6			
5	Wear ring, front	168602380	168602380	168602380	168602380						
6	Wear rings kit					KL03ACQ	KL03ACQ	KL03ACQ	KL03ACQ	KL03ACQ	KL03ACQ
		KL03ACQ	KL03ACQ	KL03ACQ	KL03ACQ	KL03ACQ	KL03ACQ	KL03ACQ			

7*	Material->	<b>BQ1EGG</b>	<b>Q1Q1EGG</b>	<b>U3AEGG</b>	<b>BQ1VGG</b>	<b>Q1Q1VGG</b>	<b>U3AVGG</b>	STD -> Mech BQ1EGG - OR EPDM
	Mech. Seal D22 kit	KL01AF1	KL01AF2	KL01AGL	KL01AF4	KL01AF5	KL01AGM	50-125 ->200
	Mech. Seal D28 kit	KL01AF7	KL01AF8	KL01AGN	KL01AGA	KL01AGB	KL01AGP	50-250
8*	OR Kit EPDM	KL02AAH	All Versions incl. 3 Dia - OR					
	OR Kit FPM	KL02AAK						

10	Imp. lock kit M12	KL39AAA		50-125->200
	Imp. lock kit M16	KL39AAB		50-250
10A	Coupling D:18	KL10AAG		4P->160/03
11	Valves and plugs EPDM	KL34ABA		
	Valves and plugs FPM	KL34ABB		
14	Screws kit	N/A		

### Single Unit

1	Casing+wear ring	151352380	151352380	151352380	151352380	151352380	151352380	151352380	151352380	151352400	151352400
		151352400	151352400	151352400	151352400	151352400	151352400	151352400			
3	Seal-housing disc	160150201	160150201	160150201	160150201	150150041	150150041	150150041	150150041	150150071	150150071
		150150071	150150071	150150091	150150091	150150091	150150091	150150091	150150091		
4	Pump bracket	161430511	161430511	161430511	161430521	161430511	161430521	161430521	161470650	161453141	161453151
		161453151	161453151	161452881	161452881	161452841	161452841	161452841			
9**	Motor 1~, 2P	107230270	50004HH00XA								
		SM90R	PLM90								
	Motor 3~, 2P	107234060	50A01RN00	50A02RH00	50A08VN00	50A02RH00	50A08VN00	50A13VH00	50A17VH00	50A13VH00	50A17VH00
		50A18VH00	50A19VH00	50A18VP00	50A19VP00	50A24VR00	50A25VR00	50A26VR00			
		SM90R	PLM90	PLM90	PLM112R	PLM90	PLM112R	PLM112	PLM132	PLM112	PLM132
		PLM132	PLM132	PLM132	PLM132	PLM160	PLM160	PLM160			

\* Recommended spare parts - Parti di ricambio consigliate

\* Pièces détachées conseillées - Empfohlene Ersatzteile

\*\* Motor spare parts: see motor lists - Parti di ricambio motore: vedi liste motore

\*\* Pièces détachées Moteur : voir listes moteur - Motor-Ersatzteile: gem. Motorlisten

LNEE\_40-100\_5\_Feb15\_EdA

Production date > Feb 2015

## LNEE 65/.25.CS4

230-400/3/50 up to 3 kW digit R  
400-690/3/50 since 4 kW digit V

LNEE		65-125/30/P	65-125/40/P	65-125/55/P	65-125/75/P	65-160/55/P	65-160/75/P	65-160/92	65-160/110/P	65-200/92	65-200/110/P
ELP 3 -, 2P		101880890	101880900	101880910	101880920	101880940	101880950	101880960	101880970	101880990	101881000
	kW ->	3,0	4,0	5,5	7,5	5,5	7,5	9,2	11,0	9,2	11,0
		<b>65-200/150/P</b>	<b>65-200/185/P</b>	<b>65-250/150/P</b>	<b>65-250/185/P</b>	<b>65-250/220/P</b>					
	kW ->	101881010	101881020	101881040	101881050	101881060					
		15,0	18,5	15,0	18,5	22,0					

### Kit

2*	Impeller A316	KL04AM7	KL04AM8	KL04AM9	KL04ANA	KL04ANB	KL04ANC	KL04AND	KL04ANE	KL04ANF	KL04ANG
		KL04ANH	KL04ANK	KL04ANL	KL04ANM	KL04ANN					
5	Wear ring, front	168602390	168602390	168602390	168602390						
6	Wear rings kit					KL03ACR	KL03ACR	KL03ACR	KL03ACR	KL03ACR	KL03ACR
		KL03ACR	KL03ACR	KL03ACR	KL03ACR	KL03ACR					

7*	Material-->	<b>BQ1EGG</b>	<b>Q1Q1EGG</b>	<b>U3AEGG</b>	<b>BQ1VGG</b>	<b>Q1Q1VGG</b>	<b>U3AVGG</b>	STD -> Mech BQ1EGG - OR EPDM
	Mech. Seal D22 kit	KL01AF1	KL01AF2	KL01AGL	KL01AF4	KL01AF5	KL01AGM	<b>65-125 -&gt;160</b>
	Mech. Seal D28 kit	KL01AF7	KL01AF8	KL01AGN	KL01AGA	KL01AGB	KL01AGP	<b>65-200/250</b>
8*	OR Kit EPDM	KL02AAH	<b>All Versions incl. 3 Dia - OR</b>					
	OR Kit FPM	KL02AAK						

10	Imp. lock kit M12	KL39AAA				<b>65-125-&gt;160</b>
	Imp. lock kit M16	KL39AAB				<b>65-200-&gt;250</b>
13	Coupling D:18	KL10AAG				<b>4P-&gt;125/03</b>
10A	Valves and plugs EPDM	KL34ABA				
	Valves and plugs FPM	KL34ABB				
14	Screws kit	N/A				

### Single Unit

1	Casing+wear ring	151352440	151352440	151352440	151352440	151352460	151352460	151352460	151352460	151352480	151352480
		151352480	151352480	151352480	151352480	151352480					
3	Seal-housing disc	160150221	160150221	160150221	160150221	150150051	150150051	150150051	150150051	150150091	150150091
		150150091	150150091	150150091	150150091	150150091					
4	Pump bracket	161430511	161430521	161430521	161470650	161453141	161453151	161453151	161453151	161453151	161453151
		161470660	161470660	161452841	161452841	161452841					
9**	Motor 3-, 2P	50A02RH00	50A08VN00	50A13VH00	50A17VH00	50A13VH00	50A17VH00	50A18VH00	50A19VH00	50A18VP00	50A19VP00
		50A24VR00	50A25VR00	50A24VR00	50A25VR00	50A26VR00					
		PLM90	PLM112R	PLM112	PLM132	PLM112	PLM132	PLM132	PLM132	PLM132	PLM132
		PLM160	PLM160	PLM160	PLM160	PLM160					

\* Recommended spare parts - Parti di ricambio consigliate

\* Pièces détachées conseillées - Empfohlene Ersatzteile

\*\* Motor spare parts: see motor lists - Parti di ricambio motore: vedi liste motore

\*\* Pièces détachées Moteur : voir listes moteur - Motor-Ersatzteile: gem. Motorlisten

LNEE\_40-100\_5\_Feb15\_EdA

Production date > Feb 2015

## LNEE 80/.25.CC4

230-400/3/50 up to 3 kW digit R  
400-690/3/50 since 4 kW digit V

LNEE		80-160/75/P	80-160/92/P	80-160/110/P	80-160/150/P	80-160/185/P
ELP 3 -, 2P		101881200	101881210	101881220	101881230	101881240
	kw ->	7.5	9.2	11	15	18.5

### Kit

2*	Impeller cast iron	KL04ANZ	KL04ANY	KL04ANX	KL04ANW	KL04ANV
5	Wear ring, front					
6	Wear rings kit	KL03ACT	KL03ACT	KL03ACT	KL03ACT	KL03ACT

7*	Material->	<b>BQ1EGG</b>	<b>Q1Q1EGG</b>	<b>U3AEGG</b>	<b>BQ1VGG</b>	<b>Q1Q1VGG</b>	<b>U3AVGG</b>	STD -> Mech BQ1EGG - OR EPDM
	Mech. Seal D28 kit	KL01AF7	KL01AF8	KL01AGN	KL01AGA	KL01AGB	KL01AGP	<b>80-160/200</b>
8*	OR Kit EPDM	KL02AAH	<b>All Versions incl. 3 Dia - OR</b>					
	OR Kit FPM	KL02AAK						

10	Imp. lock kit M16	KL39AAB	<b>80-160-&gt;200</b>			
10A	Coupling	-				
11	Valves and plugs EPDM	KL34ABA				
	Valves and plugs FPM	KL34ABB				
14	Screws kit	N/A				

### Single Unit

1	Casing+wear ring	151352520	151352520	151352520	151352520	151352520
3	Seal-housing disc	150150081	150150081	150150081	150150081	150150081
4	Pump bracket	161452881	161452881	161452881	161452841	161452841
9**	Motor 3-, 2P	50A17VP00	50A18VP00	50A19VP00	50A24VR00	50A25VR00
		PLM132	PLM132	PLM132	PLM160	PLM160

\* Recommended spare parts - Parti di ricambio consigliate

\* Pièces détachées conseillées - Empfohlene Ersatzteile

\*\* Motor spare parts: see motor lists - Parti di ricambio motore: vedi liste motore

\*\* Pièces détachées Moteur : voir listes moteur - Motor-Ersatzteile: gem. Motorlisten

LNEE\_40-100\_5\_Feb15\_EdA

Production date > Feb 2015

## LNEE 100/.25.CC4

**230-400/3/50** up to 3 kW digit R  
**400-690/3/50** since 4 kW digit V

LNEE		100-160/110/	100-160/150/	100-160/185/	100-160/220/P
ELP 3~, 2P		101881300	101881310	101881320	101881330
	kW ->	11	15	18.5	22

### Kit

2*	Impeller cast iron	KL04APE	KL04APD	KL04APC	KL04APB
5	Wear ring, front				
6	Wear rings kit	KL03ACV	KL03ACV	KL03ACV	KL03ACV

7*	Material-->	<b>BQ1EGG</b>	<b>Q1Q1EGG</b>	<b>U3AEGG</b>	<b>BQ1VGG</b>	<b>Q1Q1VGG</b>	<b>U3AVGG</b>	STD -> Mech BQ1EGG - OR EPDM
	Mech. Seal D28 kit	KL01AF7	KL01AF8	KL01AGN	KL01AGA	KL01AGB	KL01AGP	<b>100-160</b>
8*	OR Kit EPDM	KL02AAH	<b>All Versions incl. 3 Dia - OR</b>					
	OR Kit FPM	KL02AAK						

10	Imp. lock kit M16	KL39AAB	<b>All Versions</b>	<b>100-160</b>
10A	Coupling	-		
11	Valves and plugs EPC	KL34ABA		
	Valves and plugs FPM	KL34ABB		
14	Screws kit	N/A		

### Single Unit

1	Casing+wear ring	151352560	151352560	151352560	151352560
3	Seal-housing disc	150150081	150150081	150150081	150150081
4	Pump bracket	161452881	161452841	161452841	161452841
9**	Motor 3~, 2P	50A19VP00 <i>PLM132</i>	50A24VR00 <i>PLM160</i>	50A25VR00 <i>PLM160</i>	50A26VR00 <i>PLM160</i>
	Motor Support	161441200	NO	NO	NO

\* Recommended spare parts - Parti di ricambio consigliate

\* Pièces détachées conseillées - Empfohlene Ersatzteile

\*\* Motor spare parts: see motor lists - Parti di ricambio motore: vedi liste motore

\*\* Pièces détachées Moteur : voir listes moteur - Motor-Ersatzteile: gem. Motorlisten

LNEE\_40-100\_5\_Feb15\_EdA



Production date > Feb 2015

## LNEE 80/25.CB4

230-400/3/50 up to 3 kW digit R  
400-690/3/50 since 4 kW digit V

LNEE		80-160/75/P	80-160/92/P	80-160/110/P	80-160/150/P	80-160/185/P
ELP 3 ~, 4P		10188120B	10188121B	10188122B	10188123B	10188124B
	kw ->	7.5	9.2	11	15	18.5

### Kit

2*	Impeller bronze (B)	KL04APZ	KL04APY	KL04APX	KL04APW	KL04APV
5	Wear ring, front					
6	Wear rings kit	KL03ACT	KL03ACT	KL03ACT	KL03ACT	KL03ACT

7*	Material-->	<b>BQ1EGG</b>	<b>Q1Q1EGG</b>	<b>U3AEGG</b>	<b>BQ1VGG</b>	<b>Q1Q1VGG</b>	<b>U3AVGG</b>	STD -> Mech BQ1EGG - OR EPDM
	Mech. Seal D28 kit	KL01AF7	KL01AF8	KL01AGN	KL01AGA	KL01AGB	KL01AGP	<b>80-160/200</b>
8*	OR Kit EPDM	KL02AAH	<b>All Versions incl. 3 Dia - OR</b>					
	OR Kit FPM	KL02AAK						

10	Imp. lock kit M16	KL39AAB					<b>80-160-&gt;200</b>
10A	Coupling	-					
11	Valves and plugs EPDM	KL34ABA					
	Valves and plugs FPM	KL34ABB					

Note - Other codes not in these tables will be available upon request.

## LNEE 100/25.CB4

230-400/3/50 up to 3 kW digit R  
400-690/3/50 since 4 kW digit V

LNEE		100-160/110/P	100-160/150/P	100-160/185/P	100-160/220/P
ELP 3 ~, 2P		10188130B	10188131B	10188132B	10188133B
	kw ->	11	15	18.5	22

### Kit

2*	Impeller bronze (B)	KL04APU	KL04APT	KL04APS	KL04APR
5	Wear ring, front				
6	Wear rings kit	KL03ACV	KL03ACV	KL03ACV	KL03ACV

7*	Material-->	<b>BQ1EGG</b>	<b>Q1Q1EGG</b>	<b>U3AEGG</b>	<b>BQ1VGG</b>	<b>Q1Q1VGG</b>	<b>U3AVGG</b>	STD -> Mech BQ1EGG - OR EPDM
	Mech. Seal D28 kit	KL01AF7	KL01AF8	KL01AGN	KL01AGA	KL01AGB	KL01AGP	<b>100-160</b>
8*	OR Kit EPDM	KL02AAH	<b>All Versions incl. 3 Dia - OR</b>					
	OR Kit FPM	KL02AAK						

10	Imp. lock kit M16	KL39AAB	<b>All Versions</b>	<b>100-160</b>
10A	Coupling	-		
11	Valves and plugs EPDM	KL34ABA		
	Valves and plugs FPM	KL34ABB		

Note - Other codes not in these tables will be available upon request.

\* Recommended spare parts - Parti di ricambio consigliate

\* Pièces détachées conseillées - Empfohlene Ersatzteile

LNEE\_40-100\_5\_Feb15\_EdA

Production date > Feb 2015

## LNEE 40/.45.CS4

230-400/3/50 up to 3 kW digit R  
400-690/3/50 since 4 kW digit V

LNEE		40-125/02B/S	40-125/02A/S	40-125/02/S	40-125/03/S	40-160/02/S	40-160/03/S	40-160/05/S	40-160/07/X	40-200/05A/S	40-200/05/S	
ELP 3 -, 4P	kW ->	101884360	101884370	101884380	101884390	101884410	101884420	101884430	101884440	101884460	101884470	
		0,25	0,25	0,25	0,37	0,25	0,37	0,55	0,75	0,55	0,55	
kW ->	kW ->	101884480	101884490	101884510	101884520	101884530	101884540					
		0,75	1,1	1,5	1,5	1,5	2,2					

### Kit

2*	Impeller A316	KL04AL7	KL04AL8	KL04AL9	KL04AMA	KL04AMB	KL04AMC	KL04AMD	KL04AME	KL04AMF	KL04AMG
		KL04AMH	KL04AMK	KL04AML	KL04AMM	KL04AMN	KL04AMP				
5	Wear ring, front	168602370	168602370	168602370	168602370	168602370	168602370	168602370	168602370		
6	Wear rings kit										
		KL03ACP	KL03ACP	KL03ACQ	KL03ACQ	KL03ACQ	KL03ACQ			KL03ACP	KL03ACP

7*	Material-->	<b>BQ1EGG</b>	<b>Q1Q1EGG</b>	<b>U3AEGG</b>	<b>BQ1VGG</b>	<b>Q1Q1VGG</b>	<b>U3AVGG</b>	STD -> Mech BQ1EGG - OR EPDM
	Mech. Seal D22 kit	KL01AF1	KL01AF2	KL01AGL	KL01AF4	KL01AF5	KL01AGM	<b>40-125 -&gt;200</b>
	Mech. Seal D28 kit	KL01AF7	KL01AF8	KL01AGN	KL01AGA	KL01AGB	KL01AGP	<b>40-250</b>
8*	OR Kit EPDM	KL02AAH	<b>All Versions incl. 3 Dia - OR</b>					
	OR Kit FPM	KL02AAK						

10	Imp. lock kit M12	KL39AAA					<b>40-125-&gt;200</b>
	Imp. lock kit M16	KL39AAB					<b>40-250</b>
10A	Coupling D:18	KL10AAG					<b>4P-&gt;160/03</b>
11	Valves and plugs EPDM	KL34ABA					
	Valves and plugs FPM	KL34ABB					
14	Screws kit	N/A					

### Single Unit

1	Casing+wear ring	151352320	151352320	151352320	151352320	151352320	151352320	151352320	151352320	151352340	151352340	
		151352340	151352340	151352600	151352600	151352600	151352600					
3	Seal-housing disc	160150201	160150201	160150201	160150201	160150201	160150201	160150201	160150201	150150071	150150071	
		150150071	150150071	150150091	150150091	150150091	150150091					
4	Pump bracket	161430521	161430521	161430521	161430521	161430521	161430521	161430511	161430511	161453131	161453131	
		161453131	161453151	161452881	161452881	161452881	161452841					
9**	Motor 3-, 4P	107230620	107230620	107230620	107230680	107230620	107230680	107230830	107241540	107230830	107230830	
		107241540	50A05RS00	50A06RT00	50A06RT00	50A06RT00	50A10RT00					
		SM471	SM471	SM471	SM471	SM471	SM471	SM490R	LLM490R	SM490R	SM490R	
		LLM490R	PLM490	PLM490	PLM490	PLM490	PLM4100					

\* Recommended spare parts - Parti di ricambio consigliate

\* Pièces détachées conseillées - Empfohlene Ersatzteile

\*\* Motor spare parts: see motor lists - Parti di ricambio motore: vedi liste motore

\*\* Pièces détachées Moteur : voir listes moteur - Motor-Ersatzteile: gem. Motorlisten

LNEE\_40-100\_5\_Feb15\_EdA

Production date > Feb 2015

## LNEE 50/.45.CS4

230-400/3/50 up to 3 kW digit R  
400-690/3/50 since 4 kW digit V

LNEE		50-125/02A/S	50-125/02/S	50-125/03/S	50-125/05/S	50-160/03/S	50-160/05/S	50-160/07/X	50-160/11/P	50-200/07/X	50-200/11A/P
ELP 3 -, 4P	kW ->	101884620	101884630	101884640	101884650	101884670	101884680	101884690	101884700	101884720	101884730
		0,25	0,25	0,37	0,55	0,37	0,55	0,75	1,1	0,75	1,1
kW ->		50-200/11/P	50-200/15/P	50-250/15A/P	50-250/15/P	50-250/22A/P	50-250/22/P	50-250/30/P			
		101884740	101884750	101884770	101884780	101884790	101884800	101884810			
		1,1	1,5	1,5	1,5	2,2	2,2	3,0			

### Kit

2*	Impeller A316	KL04AMQ	KL04AMR	KL04AMS	KL04AMT	KL04AMU	KL04AMV	KL04AMW	KL04AMX	KL04AMY	KL04AMZ
		KL04AM0	KL04AM1	KL04AM2	KL04AM3	KL04AM4	KL04AM5	KL04AM6			
5	Wear ring, front	168602380	168602380	168602380	168602380	168602380	168602380	168602380	168602380		
6	Wear rings kit									KL03ACQ	KL03ACQ
		KL03ACQ	KL03ACQ	KL03ACQ	KL03ACQ	KL03ACQ	KL03ACQ	KL03ACQ			

7*	Material-->	<b>BQ1EGG</b>	<b>Q1Q1EGG</b>	<b>U3AEGG</b>	<b>BQ1VGG</b>	<b>Q1Q1VGG</b>	<b>U3AVGG</b>	STD -> Mech BQ1EGG - OR EPDM
	Mech. Seal D22 kit	KL01AF1	KL01AF2	KL01AGL	KL01AF4	KL01AF5	KL01AGM	<b>50-125 -&gt;200</b>
	Mech. Seal D28 kit	KL01AF7	KL01AF8	KL01AGN	KL01AGA	KL01AGB	KL01AGP	<b>50-250</b>
8*	OR Kit EPDM	KL02AAH	<b>All Versions incl. 3 Dia - OR</b>					
	OR Kit FPM	KL02AAK						

10	Imp. lock kit M12	KL39AAA			<b>50-125-&gt;200</b>
	Imp. lock kit M16	KL39AAB			<b>50-250</b>
10A	Coupling D:18	KL10AAG			<b>4P-&gt;160/03</b>
11	Valves and plugs EPDM	KL34ABA			
	Valves and plugs FPM	KL34ABB			
14	Screws kit	N/A			

### Single Unit

1	Casing+wear ring	151352380	151352380	151352380	151352380	151352380	151352380	151352380	151352380	151352400	151352400
		151352400	151352400	151352400	151352400	151352400	151352400	151352400			
3	Seal-housing disc	160150201	160150201	160150201	160150201	150150041	150150041	150150041	150150041	150150071	150150071
		150150071	150150071	150150091	150150091	150150091	150150091	150150091			
4	Pump bracket	161430521	161430521	161430521	161430511	161430521	161430511	161470650	161470650	161453131	161453151
		161453151	161453151	161452881	161452881	161452841	161452841	161452841			
9**	Motor 3-, 4P	107230620	107230620	107230680	107230830	107230680	107230830	107241540	50A05RS00	107241540	50A05RS00
		50A05RS00	50A06RS00	50A06RT00	50A06RT00	50A10RT00	50A10RT00	50A11RT00			
		SM471	SM471	SM471	SM490R	SM471	SM490R	LLM490R	PLM490	LLM490R	PLM490
		PLM490	PLM490	PLM490	PLM490	PLM4100	PLM4100	PLM4100			

\* Recommended spare parts - Parti di ricambio consigliate

\* Pièces détachées conseillées - Empfohlene Ersatzteile

\*\* Motor spare parts: see motor lists - Parti di ricambio motore: vedi liste motore

\*\* Pièces détachées Moteur : voir listes moteur - Motor-Ersatzteile: gem. Motorlisten

LNEE\_40-100\_5\_Feb15\_EdA

Production date > Feb 2015

## LNEE 65/45.CS4

230-400/3/50 up to 3 kW digit R  
400-690/3/50 since 4 kW digit V

LNEE		65-125/03/S	65-125/05/S	65-125/07/X	65-125/11/P	65-160/07/X	65-160/11/A/P	65-160/11/P	65-160/15/P	65-200/15A/P	65-200/15/P
ELP 3 -, 4P		101884890	101884900	101884910	101884920	101884940	101884950	101884960	101884970	101884990	101885000
kW ->		0,37	0,55	0,75	1,1	0,75	1,1	1,1	1,5	1,5	1,5
		65-200/22A/P	65-200/22/P	65-250/22A/P	65-250/22/P	65-250/30/P	65-250/40/P				
kW ->		101885010	101885020	101885040	101885050	101885060	101885070				
		2,2	2,2	2,2	2,2	3,0	4,0				

### Kit

2*	Impeller A316	KL04AM7	KL04AM8	KL04AM9	KL04ANA	KL04ANB	KL04ANC	KL04AND	KL04ANE	KL04ANF	KL04ANG
		KL04ANH	KL04ANK	KL04ANL	KL04ANM	KL04ANN	KL04ANP				
5	Wear ring, front	168602390	168602390	168602390	168602390						
6	Wear rings kit					KL03ACR	KL03ACR	KL03ACR	KL03ACR	KL03ACR	KL03ACR
		KL03ACR	KL03ACR	KL03ACR	KL03ACR	KL03ACR	KL03ACR				

7*	Material-->	<b>BQ1EGG</b>	<b>Q1Q1EGG</b>	<b>U3AEGG</b>	<b>BQ1VGG</b>	<b>Q1Q1VGG</b>	<b>U3AVGG</b>	STD -> Mech BQ1EGG - OR EPDM			
	Mech. Seal D22 kit	KL01AF1	KL01AF2	KL01AGL	KL01AF4	KL01AF5	KL01AGM	<b>65-125 -&gt;160</b>			
	Mech. Seal D28 kit	KL01AF7	KL01AF8	KL01AGN	KL01AGA	KL01AGB	KL01AGP	<b>65-200/250</b>			
8*	OR Kit EPDM	KL02AAH	All Versions incl. 3 Dia - OR								
	OR Kit FPM	KL02AAK									

10	Imp. lock kit M12	KL39AAA					65-125->160
	Imp. lock kit M16	KL39AAB					65-200->250
13	Coupling	-					
11	Valves and plugs EPDM	KL34ABA					
	Valves and plugs FPM	KL34ABB					
14	Screws kit	N/A					

### Single Unit

1	Casing+wear ring	151352440	151352440	151352440	151352440	151352460	151352460	151352460	151352460	151352480	151352480
		151352480	151352480	151352480	151352480	151352480	151352480				
3	Seal-housing disc	160150221	160150221	160150221	160150221	150150051	150150051	150150051	150150051	150150091	150150091
		150150091	150150091	150150091	150150091	150150091	150150091				
4	Pump bracket	161430521	161430511	161430511	161470650	161453131	161453151	161453151	161453151	161453151	161453151
		161470660	161470660	161452841	161452841	161452841	161452841				
9**	Motor 3-, 4P	107230680	107230830	107241540	50A05RS00	107241540	50A05RS00	50A05RS00	50A06RS00	50A06RT00	50A06RT00
		50A10RT00	50A10RT00	50A10RT00	50A10RT00	50A11RT00	50A15VT00				
		SM471	SM490R	LLM490R	PLM490	LLM490R	PLM490	PLM490	PLM490	PLM490	PLM490
		PLM4100	PLM4100	PLM4100	PLM4100	PLM4100	PLM4112				

\* Recommended spare parts - Parti di ricambio consigliate

\* Pièces détachées conseillées - Empfohlene Ersatzteile

\*\* Motor spare parts: see motor lists - Parti di ricambio motore: vedi liste motore

\*\* Pièces détachées Moteur : voir listes moteur - Motor-Ersatzteile: gem. Motorlisten

LNEE\_40-100\_5\_Feb15\_EdA

Production date > Feb 2015

## LNEE 80/.45.CC4

230-400/3/50 up to 3 kW digit R  
400-690/3/50 since 4 kW digit V

LNEE		80-160/15B/P	80-160/15A/P	80-160/15/P	80-160/22A/P	80-160/22/P
ELP 3~, 4P		101885210	101885220	101885230	101885240	101885250
	kW ->	1.5	1.5	1.5	2.2	2.2

### Kit

2*	Impeller cast iron	KL04ANZ	KL04ANY	KL04ANX	KL04ANW	KL04ANV
5	Wear ring, front					
6	Wear rings kit	KL03ACT	KL03ACT	KL03ACT	KL03ACT	KL03ACT

7*	Material-->	<b>BQ1EGG</b>	<b>Q1Q1EGG</b>	<b>U3AEGG</b>	<b>BQ1VGG</b>	<b>Q1Q1VGG</b>	<b>U3AVGG</b>	STD -> Mech BQ1EGG - OR EPDM
	Mech. Seal D28 kit	KL01AF7	KL01AF8	KL01AGN	KL01AGA	KL01AGB	KL01AGP	<b>80-160/200</b>
8*	OR Kit EPDM	KL02AAH	<b>All Versions incl. 3 Dia - OR</b>					
	OR Kit FPM	KL02AAK						

10	Imp. lock kit M16	KL39AAB	<b>80-160-&gt;200</b>			
10A	Coupling	-				
11	Valves and plugs EPDM	KL34ABA				
	Valves and plugs FPM	KL34ABB				
14	Screws kit	N/A				

### Single Unit

1	Casing+wear ring	151352520	151352520	151352520	151352520	151352520
3	Seal-housing disc	150150081	150150081	150150081	150150081	150150081
4	Pump bracket	161452881	161452881	161452881	161452841	161452841
9**	Motor 3~, 4P	50A06RT00	50A06RT00	50A06RT00	50A10RT00	50A10RT00
		PLM490	PLM490	PLM490	PLM4100	PLM4100

\* Recommended spare parts - Parti di ricambio consigliate

\* Pièces détachées conseillées - Empfohlene Ersatzteile

\*\* Motor spare parts: see motor lists - Parti di ricambio motore: vedi liste motore

\*\* Pièces détachées Moteur : voir listes moteur - Motor-Ersatzteile: gem. Motorlisten

LNEE\_40-100\_5\_Feb15\_EdA

Production date > Feb 2015

## LNEE 100/.45.CC4

230-400/3/50 up to 3 kW digit R  
400-690/3/50 since 4 kW digit V

LNEE		100-160/15/P	100-160/22A/	100-160/22/P	100-160/30/P
ELP 3 ~, 4P		101885320	101885330	101885340	101885350
	kW ->	1.5	2.2	2.2	3.0

### Kit

2*	Impeller cast iron	KL04APE	KL04APD	KL04APC	KL04APB
5	Wear ring, front				
6	Wear rings kit	KL03ACV	KL03ACV	KL03ACV	KL03ACV

7*	Material-->	<b>BQ1EGG</b>	<b>Q1Q1EGG</b>	<b>U3AEGG</b>	<b>BQ1VGG</b>	<b>Q1Q1VGG</b>	<b>U3AVGG</b>	STD -> Mech BQ1EGG - OR EPDM
	Mech. Seal D28 kit	KL01AF7	KL01AF8	KL01AGN	KL01AGA	KL01AGB	KL01AGP	<b>100-160</b>
8*	OR Kit EPDM	KL02AAH	<b>All Versions incl. 3 Dia - OR</b>					
	OR Kit FPM	KL02AAK						

10	Imp. lock kit M16	KL39AAB	<b>All Versions</b>			<b>100-160</b>
10A	Coupling	-				
11	Valves and plugs EPDM	KL34ABA				
	Valves and plugs FPM	KL34ABB				
14	Screws kit	N/A				

### Single Unit

1	Casing+wear ring	151352560	151352560	151352560	151352560
3	Seal-housing disc	150150081	150150081	150150081	150150081
4	Pump bracket	161452881	161452841	161452841	161452841
9**	Motor 3~, 4P	50A06RT00	50A10RT00	50A10RT00	50A11RT00
		PLM490	PLM4100	PLM4100	PLM4100

\* Recommended spare parts - Parti di ricambio consigliate

\* Pièces détachées conseillées - Empfohlene Ersatzteile

\*\* Motor spare parts: see motor lists - Parti di ricambio motore: vedi liste motore

\*\* Pièces détachées Moteur : voir listes moteur - Motor-Ersatzteile: gem. Motorlisten

LNEE\_40-100\_5\_Feb15\_EdA

Production date > Feb 2015

## LNEE 80/.45.CB4

230-400/3/50 up to 3 kW digit R  
400-690/3/50 since 4 kW digit V

LNEE		80-160/15B/P	80-160/15A/P	80-160/15/P	80-160/22A/P	80-160/22/P
ELP 3 ~, 4P		10188521B	10188522B	10188523B	10188524B	10188525B
	kW ->	1.5	1.5	1.5	2.2	2.2

### Kit

2*	Impeller bronze (B)	KL04APZ	KL04APY	KL04APX	KL04APW	KL04APV		
5	Wear ring, front							
6	Wear rings kit	KL03ACT	KL03ACT	KL03ACT	KL03ACT	KL03ACT		
7*	Material-->	<b>BQ1EGG</b>	<b>Q1Q1EGG</b>	<b>U3AEGG</b>	<b>BQ1VGG</b>	<b>Q1Q1VGG</b>	<b>U3AVGG</b>	STD -> Mech BQ1EGG - OR EPDM
	Mech. Seal D28 kit	KL01AF7	KL01AF8	KL01AGN	KL01AGA	KL01AGB	KL01AGP	
8*	OR Kit EPDM	KL02AAH	<b>All Versions incl. 3 Dia - OR</b>					
	OR Kit FPM	KL02AAK						
10	Imp. lock kit M16	KL39AAB				<b>80-160-&gt;200</b>		
10A	Coupling	-						
11	Valves and plugs EPDM	KL34ABA						
	Valves and plugs FPM	KL34ABB						

Note - Other codes not in these tables will be available upon request.

## LNEE 100/.45.CB4

230-400/3/50 up to 3 kW digit R  
400-690/3/50 since 4 kW digit V

LNEE		100-160/15	100-160/22A	100-160/22	100-160/30
ELP 3 ~, 4P		10188532B	10188533B	10188534B	10188535B
	kW ->	1.5	2.2	2.2	3.0

### Kit

2*	Impeller bronze (B)	KL04APU	KL04APT	KL04APS	KL04APR			
5	Wear ring, front							
6	Wear rings kit	KL03ACV	KL03ACV	KL03ACV	KL03ACV			
7*	Material-->	<b>BQ1EGG</b>	<b>Q1Q1EGG</b>	<b>U3AEGG</b>	<b>BQ1VGG</b>	<b>Q1Q1VGG</b>	<b>U3AVGG</b>	STD -> Mech BQ1EGG - OR EPDM
	Mech. Seal D28 kit	KL01AF7	KL01AF8	KL01AGN	KL01AGA	KL01AGB	KL01AGP	
8*	OR Kit EPDM	KL02AAH	<b>All Versions incl. 3 Dia - OR</b>					
	OR Kit FPM	KL02AAK						
10	Imp. lock kit M16	KL39AAB	<b>All Versions</b>			<b>100-160</b>		
10A	Coupling	-						
11	Valves and plugs EPDM	KL34ABA						
	Valves and plugs FPM	KL34ABB						

Note - Other codes not in these tables will be available upon request.

\* Recommended spare parts - Parti di ricambio consigliate

\* Pièces détachées conseillées - Empfohlene Ersatzteile

LNEE\_40-100\_5\_Feb15\_EdA