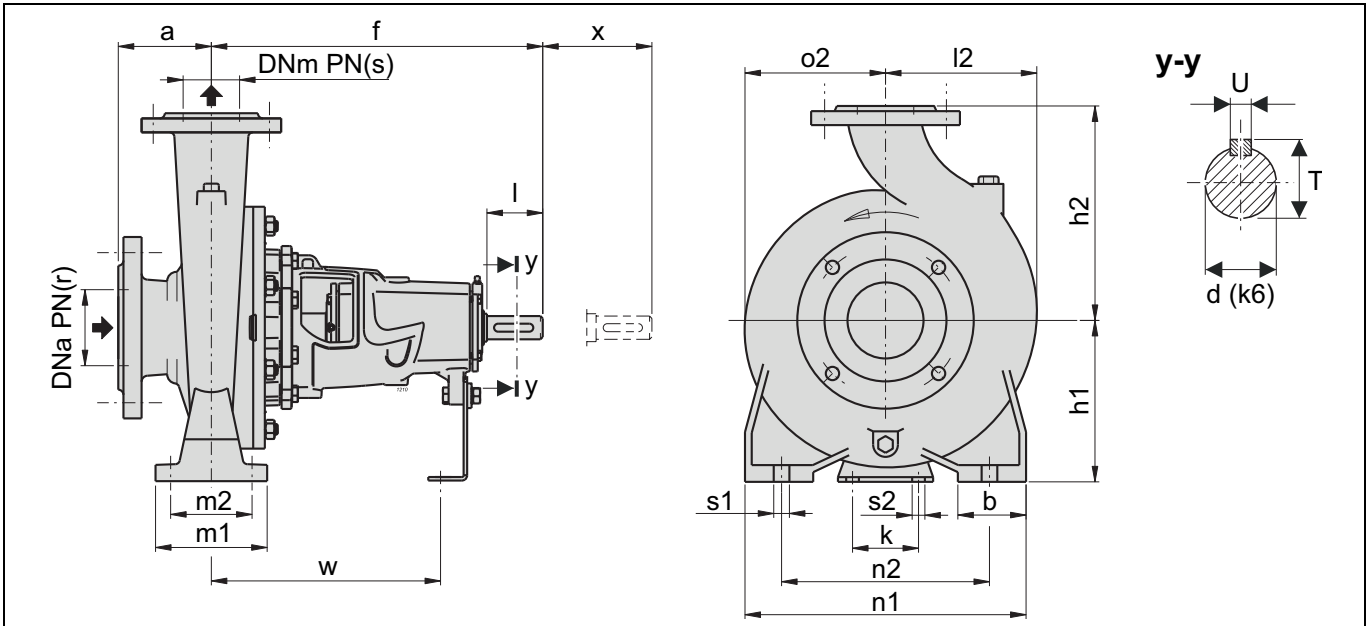


|                      |   |
|----------------------|---|
| Type<br>Type<br>Tipo | Inlet maximum pressure<br>Pression maximale en aspiration<br>Pressione massima in aspirazione |
| NCDS4P100-250        | [bar]<br>10   |

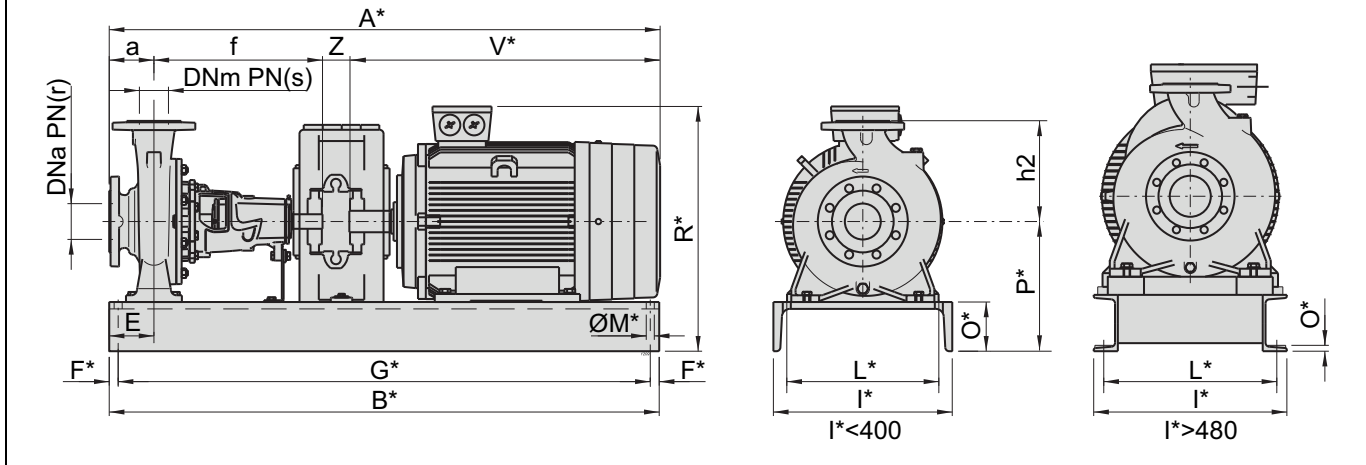
Overall dimensions and weights  
 Dimensions d'encombrement et poids  
 Dimensioni di ingombro e pesi



| Type<br>Type<br>Tipo | Weight<br>Poids<br>Peso<br>[kg] | Dimensions pump<br>Dimensions pompe<br>Dimensioni pompa |     |    |    |     |     |     |     |     |     | Duck foot pedestal dimensions<br>Dimensiones pieds de soutien<br>Dimensioni piedi di appoggio |     |     |     |     |     |     | Shaft projection<br>Saillie d'arbre<br>Sporgenza d'albero |      |    |     |     |
|----------------------|---------------------------------|---|-----|----|----|-----|-----|-----|-----|-----|-----|---|-----|-----|-----|-----|-----|-----|---|------|----|-----|-----|
|                      |                                 | DNa   | DNm | r  | s  | a   | f   | h1  | h2  | l2  | o2  | b   | m1  | m2  | n1  | n2  | k   | w   | s1  | s2   | d  | l   | T   |
|                      |                                 | [mm]  |     |    |    |     |     |     |     |     |     |   |     |     |     |     |     |     |   |      |    |     |     |
| NCD(S)2P32-125       | 26                              | 50  | 32  | 10 | 10 | 80  | 360 | 112 | 140 | 97  | 93  | 50  | 100 | 70  | 190 | 140 | 110 | 260 | ø 14  | ø 14 | 24 | 50  | 50  |
| NCD(S)2P32-160       | 33                              | 50  | 32  | 10 | 10 | 80  | 360 | 132 | 160 | 120 | 120 | 50  | 100 | 70  | 240 | 190 | 110 | 260 | ø 14  | ø 14 | 24 | 50  | 50  |
| NCD(S)2P32L-160      | 31                              | 50  | 32  | 10 | 10 | 80  | 360 | 132 | 160 | 120 | 120 | 50  | 100 | 70  | 240 | 190 | 110 | 260 | ø 14  | ø 14 | 24 | 50  | 50  |
| NCD(S)2P32L-200      | 40                              | 50  | 32  | 10 | 10 | 80  | 360 | 160 | 180 | 140 | 140 | 50  | 100 | 70  | 265 | 212 | 110 | 260 | ø 14  | ø 14 | 24 | 50  | 50  |
| NCD(S)2P32-200       | 38                              | 50  | 32  | 10 | 10 | 80  | 360 | 160 | 180 | 140 | 140 | 50  | 100 | 70  | 240 | 190 | 110 | 260 | ø 14  | ø 14 | 24 | 50  | 50  |
| NCD(S)2P40-125       | 28                              | 65  | 40  | 10 | 10 | 80  | 360 | 112 | 140 | 113 | 100 | 50  | 100 | 70  | 210 | 160 | 110 | 260 | ø 14  | ø 14 | 24 | 50  | 65  |
| NCD(S)2P40-160       | 33                              | 65  | 40  | 10 | 10 | 80  | 360 | 132 | 160 | 119 | 119 | 50  | 100 | 70  | 240 | 190 | 110 | 260 | ø 14  | ø 14 | 24 | 50  | 65  |
| NCD(S)2P40-200       | 40                              | 65  | 40  | 10 | 10 | 100 | 360 | 160 | 180 | 140 | 140 | 50  | 100 | 70  | 265 | 212 | 110 | 260 | ø 14  | ø 14 | 24 | 50  | 65  |
| NCD(S)2P40-250       | 55                              | 65  | 40  | 10 | 10 | 100 | 360 | 180 | 225 | 175 | 175 | 65  | 125 | 95  | 320 | 250 | 110 | 260 | ø 14  | ø 14 | 24 | 50  | 65  |
| NCD(S)2P50-125       | 34                              | 65  | 50  | 10 | 10 | 100 | 360 | 132 | 160 | 137 | 121 | 50  | 100 | 70  | 240 | 190 | 110 | 260 | ø 14  | ø 14 | 24 | 50  | 65  |
| NCD(S)2P50-160       | 33                              | 65  | 50  | 10 | 10 | 100 | 360 | 160 | 180 | 141 | 127 | 50  | 100 | 70  | 265 | 212 | 110 | 260 | ø 14  | ø 14 | 24 | 50  | 65  |
| NCD(S)2P50-200       | 44                              | 65  | 50  | 10 | 10 | 100 | 360 | 160 | 200 | 153 | 140 | 50  | 100 | 70  | 265 | 212 | 110 | 260 | ø 14  | ø 14 | 24 | 50  | 65  |
| NCD(S)2P50-250       | 57                              | 65  | 50  | 10 | 10 | 100 | 360 | 180 | 225 | 175 | 175 | 65  | 125 | 95  | 320 | 250 | 110 | 260 | ø 14  | ø 14 | 24 | 50  | 65  |
| NCD(S)2P65-125       | 38                              | 80  | 65  | 10 | 10 | 100 | 360 | 160 | 180 | 155 | 134 | 65  | 125 | 95  | 280 | 212 | 110 | 260 | ø 14  | ø 14 | 24 | 50  | 80  |
| NCD(S)2P65-160       | 40                              | 80  | 65  | 10 | 10 | 100 | 360 | 160 | 200 | 172 | 150 | 65  | 125 | 95  | 280 | 212 | 110 | 260 | ø 14  | ø 14 | 24 | 50  | 80  |
| NCD(S)2P65-200       | 48                              | 80  | 65  | 10 | 10 | 100 | 360 | 180 | 225 | 175 | 155 | 65  | 125 | 95  | 320 | 250 | 110 | 260 | ø 14  | ø 14 | 24 | 50  | 80  |
| NCD(S)2P65-250       | 88                              | 80  | 65  | 10 | 10 | 100 | 470 | 200 | 250 | 190 | 175 | 80  | 160 | 120 | 360 | 280 | 110 | 340 | ø 18  | ø 14 | 24 | 50  | 80  |
| NCD(S)2P80-160       | 48                              | 100   | 80  | 10 | 10 | 125 | 360 | 180 | 225 | 193 | 165 | 65  | 125 | 95  | 320 | 250 | 110 | 260 | ø 14  | ø 14 | 24 | 50  | 100 |
| NCD(S)2P80-200       | 80                              | 100   | 80  | 10 | 10 | 125 | 470 | 180 | 250 | 194 | 170 | 65  | 125 | 95  | 345 | 280 | 110 | 340 | ø 14  | ø 14 | 32 | 80  | 100 |
| NCD(S)2P80-250       | 92                              | 100   | 80  | 10 | 10 | 125 | 470 | 200 | 280 | 210 | 191 | 80  | 160 | 120 | 400 | 315 | 110 | 340 | ø 18  | ø 14 | 32 | 80  | 100 |
| NCD(S)2P100-200      | 83                              | 125   | 100 | 10 | 10 | 125 | 470 | 200 | 280 | 212 | 180 | 80  | 160 | 120 | 360 | 280 | 110 | 340 | ø 18  | ø 14 | 32 | 80  | 125 |
| NCD(S)2P100-250      | 103                             | 125   | 100 | 10 | 10 | 140 | 470 | 225 | 280 | 233 | 205 | 80  | 160 | 120 | 400 | 315 | 110 | 340 | ø 18  | ø 14 | 32 | 80  | 125 |
| NCD(S)4P32-125       | 25                              | 50  | 32  | 10 | 10 | 80  | 360 | 112 | 140 | 97  | 93  | 50  | 100 | 70  | 190 | 140 | 110 | 260 | ø 14  | ø 14 | 24 | 50  | 50  |
| NCD(S)4P32-160       | 33                              | 50  | 32  | 10 | 10 | 80  | 360 | 132 | 160 | 120 | 120 | 50  | 100 | 70  | 240 | 190 | 110 | 260 | ø 14  | ø 14 | 24 | 50  | 50  |
| NCD(S)4P32-200       | 37                              | 50  | 32  | 10 | 10 | 80  | 360 | 160 | 180 | 140 | 140 | 50  | 100 | 70  | 240 | 190 | 110 | 260 | ø 14  | ø 14 | 24 | 50  | 50  |
| NCD(S)4P40-160       | 33                              | 65  | 40  | 10 | 10 | 80  | 360 | 132 | 160 | 119 | 119 | 50  | 100 | 70  | 240 | 190 | 110 | 260 | ø 14  | ø 14 | 24 | 50  | 65  |
| NCD(S)4P40-200       | 40                              | 65  | 40  | 10 | 10 | 100 | 360 | 160 | 180 | 140 | 140 | 50  | 100 | 70  | 265 | 212 | 110 | 260 | ø 14  | ø 14 | 24 | 50  | 65  |
| NCD(S)4P40-250       | 55                              | 65  | 40  | 10 | 10 | 100 | 360 | 180 | 225 | 175 | 175 | 65  | 125 | 95  | 320 | 250 | 110 | 260 | ø 14  | ø 14 | 24 | 50  | 65  |
| NCD(S)4P50-125       | 34                              | 65  | 50  | 10 | 10 | 100 | 360 | 132 | 160 | 137 | 121 | 50  | 100 | 70  | 240 | 190 | 110 | 260 | ø 14  | ø 14 | 24 | 50  | 65  |
| NCD(S)4P50-160       | 33                              | 65  | 50  | 10 | 10 | 100 | 360 | 160 | 180 | 141 | 127 | 50  | 100 | 70  | 265 | 212 | 110 | 260 | ø 14  | ø 14 | 24 | 50  | 65  |
| NCD(S)4P50-200       | 44                              | 65  | 50  | 10 | 10 | 100 | 360 | 160 | 200 | 153 | 140 | 50  | 100 | 70  | 265 | 212 | 110 | 260 | ø 14  | ø 14 | 24 | 50  | 65  |
| NCD(S)4P50-250       | 57                              | 65  | 50  | 10 | 10 | 100 | 360 | 180 | 225 | 175 | 175 | 65  | 125 | 95  | 320 | 250 | 110 | 260 | ø 14  | ø 14 | 24 | 50  | 65  |
| NCD(S)4P65-125       | 38                              | 80  | 65  | 10 | 10 | 100 | 360 | 160 | 180 | 155 | 134 | 65  | 125 | 95  | 280 | 212 | 110 | 260 | ø 14  | ø 14 | 24 | 50  | 80  |
| NCD(S)4P65-160       | 40                              | 80  | 65  | 10 | 10 | 100 | 360 | 160 | 200 | 172 | 150 | 65  | 125 | 95  | 280 | 212 | 110 | 260 | ø 14  | ø 14 | 24 | 50  | 80  |
| NCD(S)4P65-200       | 48                              | 80  | 65  | 10 | 10 | 100 | 360 | 180 | 225 | 175 | 155 | 65  | 125 | 95  | 320 | 250 | 110 | 260 | ø 14  | ø 14 | 24 | 50  | 80  |
| NCD(S)4P65-250       | 89                              | 80  | 65  | 10 | 10 | 100 | 470 | 200 | 250 | 190 | 175 | 80  | 160 | 120 | 360 | 280 | 110 | 340 | ø 18  | ø 14 | 24 | 50  | 80  |
| NCD(S)4P65-315       | 131                             | 80  | 65  | 10 | 10 | 125 | 470 | 225 | 280 | 220 | 220 | 80  | 160 | 120 | 400 | 315 | 110 | 340 | ø 18  | ø 14 | 32 | 80  | 80  |
| NCD(S)4P80-160       | 48                              | 100   | 80  | 10 | 10 | 125 | 360 | 180 | 225 | 193 | 165 | 65  | 125 | 95  | 320 | 250 | 110 | 260 | ø 14  | ø 14 | 24 | 50  | 100 |
| NCD(S)4P80-200       | 80                              | 100   | 80  | 10 | 10 | 125 | 470 | 180 | 250 | 194 | 170 | 65  | 125 | 95  | 345 | 280 | 110 | 340 | ø 14  | ø 14 | 32 | 80  | 100 |
| NCD(S)4P80-250       | 92                              | 100   | 80  | 10 | 10 | 125 | 470 | 200 | 280 | 210 | 191 | 80  | 160 | 120 | 400 | 315 | 110 | 340 | ø 18  | ø 14 | 32 | 80  | 100 |
| NCD(S)4P80-315       | 128                             | 100   | 80  | 10 | 10 | 125 | 470 | 250 | 315 | 232 | 220 | 80  | 160 | 120 | 400 | 315 | 110 | 340 | ø 18  | ø 14 | 32 | 80  | 100 |
| NCD(S)4P80-400       | 184                             | 100   | 80  | 10 | 10 | 125 | 530 | 280 | 355 | 268 | 268 | 80  | 160 | 120 | 435 | 355 | 110 | 370 | ø 18  | ø 14 | 42 | 110 | 100 |
| NCD(S)4P100-200      | 83                              | 125   | 100 | 10 | 10 | 125 | 470 | 200 | 280 | 212 | 180 | 80  | 160 | 120 | 360 | 280 | 110 | 340 | ø 18  | ø 14 | 32 | 80  | 125 |
| NCD(S)4P100-250      | 103                             | 125   | 100 | 10 | 10 | 140 | 470 | 225 | 280 | 233 | 205 | 80  | 160 | 120 | 400 | 315 | 110 | 340 | ø 18  | ø 14 | 32 | 80  | 125 |
| NCD(S)4P100-315      | 138                             | 125   | 100 | 10 | 10 | 140 | 470 | 250 | 315 | 250 | 230 | 80  | 160 | 120 | 400 | 315 | 110 | 340 | ø 18  | ø 14 | 32 | 80  | 125 |

Selection - dimensions and weights for base mounted electric pumps  
 Sélection - dimensions et poids des électropompes sur socle  
 Selezione - dimensioni e pesi elettropompe su base

COUPLINGS WITH STANDARDIZED ENCLOSED ELECTRIC MOTORS  
 ACCOUPLEMENTS AVEC MOTEURS ÉLECTRIQUES FERMÉS NORMALISÉS  
 ACCOPIAMENTI CON MOTORI ELETTRICI CHIUSI NORMALIZZATI



| Pump<br>Pompe<br>Pompa |             | Motor<br>Moteur<br>Motore |      | Weight<br>Poids<br>Peso  | BGAD | A*                   | B*   | E    | F*  | G*  | I*   | L*  | M*  | O*   | P*   | R*  | V*  | Z    | a  | f   | h2  | r   | s  |    |  |
|------------------------|-------------|---------------------------|------|--------------------------|------|----------------------|------|------|-----|-----|------|-----|-----|------|------|-----|-----|------|----|-----|-----|-----|----|----|--|
| Type<br>Type<br>Tipo   | DNa<br>[mm] | DNm<br>[mm]               | [kW] | Size<br>Taille<br>Grand. | [kg] | Type<br>Type<br>Tipo | [mm] |      |     |     |      |     |     |      |      |     |     |      |    |     |     |     |    |    |  |
| NCDS4P32-200           | 50          | 32                        | 0,75 | 80M4                     | 81   | 1011                 | 773  | 780  | 90  | 15  | 750  | 240 | 180 | ø 14 | 85   | 245 | 370 | 295  | 38 | 80  | 360 | 180 | 10 | 10 |  |
| NCDS4P40-160           | 65          | 40                        | 0,75 | 80M4                     | 75   | 1016                 | 773  | 780  | 90  | 15  | 750  | 240 | 180 | ø 14 | 85   | 217 | 342 | 295  | 38 | 80  | 360 | 160 | 10 | 10 |  |
| NCDS4P40-200           | 65          | 40                        | 1,1  | 90S4                     | 101  | 1020                 | 853  | 880  | 100 | 15  | 850  | 300 | 240 | ø 14 | 100  | 260 | 398 | 355  | 38 | 100 | 360 | 180 | 10 | 10 |  |
| NCDS4P40-250           | 65          | 40                        | 3    | 100L4                    | 146  | 1023                 | 914  | 880  | 100 | 15  | 850  | 350 | 290 | ø 14 | 100  | 280 | 430 | 405  | 49 | 100 | 360 | 225 | 10 | 10 |  |
| NCDS4P50-160           | 65          | 50                        | 1,1  | 90S4                     | 95   | 1020                 | 853  | 880  | 100 | 15  | 850  | 300 | 240 | ø 14 | 100  | 260 | 398 | 355  | 38 | 100 | 360 | 180 | 10 | 10 |  |
| NCDS4P50-200           | 65          | 50                        | 2,2  | 100L4                    | 118  | 1009                 | 914  | 880  | 90  | 15  | 850  | 300 | 240 | ø 14 | 100  | 260 | 410 | 405  | 49 | 100 | 360 | 200 | 10 | 10 |  |
| NCDS4P50-250           | 65          | 50                        | 4    | 112M4                    | 155  | 1025                 | 949  | 880  | 100 | 15  | 850  | 350 | 290 | ø 14 | 100  | 280 | 452 | 440  | 49 | 100 | 360 | 225 | 10 | 10 |  |
| NCDS4P65-125           | 80          | 65                        | 1,1  | 90S4                     | 99   | 1020                 | 853  | 880  | 100 | 15  | 850  | 300 | 240 | ø 14 | 100  | 260 | 398 | 355  | 38 | 100 | 360 | 180 | 10 | 10 |  |
| NCDS4P65-160           | 80          | 65                        | 1,5  | 90L4                     | 105  | 1020                 | 883  | 880  | 100 | 15  | 850  | 300 | 240 | ø 14 | 100  | 260 | 398 | 385  | 38 | 100 | 360 | 200 | 10 | 10 |  |
| NCDS4P65-200           | 80          | 65                        | 3    | 100L4                    | 139  | 1023                 | 914  | 880  | 100 | 15  | 850  | 350 | 290 | ø 14 | 100  | 280 | 430 | 405  | 49 | 100 | 360 | 225 | 10 | 10 |  |
| NCDS4P65-250           | 80          | 65                        | 5,5  | 132S4                    | 220  | 1032                 | 1045 | 1030 | 130 | 20  | 990  | 400 | 340 | ø 18 | 110  | 310 | 502 | 455  | 20 | 100 | 470 | 250 | 10 | 10 |  |
| NCDS4P65-315           | 80          | 65                        | 11   | 160M4                    | 372  | 1034                 | 1226 | 1230 | 130 | 20  | 1190 | 400 | 340 | ø 18 | 110  | 335 | 586 | 627  | 4  | 125 | 470 | 280 | 10 | 10 |  |
| NCDS4P80-160           | 100         | 80                        | 2,2  | 100L4                    | 135  | 1023                 | 939  | 880  | 100 | 15  | 850  | 350 | 290 | ø 14 | 100  | 280 | 430 | 405  | 49 | 125 | 360 | 225 | 10 | 10 |  |
| NCDS4P80-200           | 100         | 80                        | 4    | 112M4                    | 188  | 1039                 | 1084 | 1020 | 100 | 15  | 990  | 350 | 290 | ø 14 | 100  | 280 | 452 | 440  | 49 | 125 | 470 | 250 | 10 | 10 |  |
| NCDS4P80-250           | 100         | 80                        | 7,5  | 132M4                    | 230  | 1032                 | 1105 | 1030 | 130 | 20  | 990  | 400 | 340 | ø 18 | 110  | 310 | 502 | 490  | 20 | 125 | 470 | 280 | 10 | 10 |  |
| NCDS4P80-315           | 100         | 80                        | 15   | 160L4                    | 384  | 1043                 | 1226 | 1230 | 130 | 20  | 1190 | 400 | 340 | ø 18 | 110  | 360 | 611 | 627  | 4  | 125 | 470 | 315 | 10 | 10 |  |
| NCDS4P80-400           | 100         | 80                        | 30   | 200L4                    | 559  | 1046                 | 1440 | 1250 | 115 | 205 | 840  | 480 | 430 | ø 24 | 16   | 445 | 745 | 758  | 27 | 125 | 530 | 355 | 10 | 10 |  |
| NCDS4P100-200          | 125         | 100                       | 5,5  | 132S4                    | 214  | 1032                 | 1070 | 1030 | 130 | 20  | 990  | 400 | 340 | ø 18 | 110  | 310 | 502 | 455  | 20 | 125 | 470 | 280 | 10 | 10 |  |
| NCDS4P100-250          | 125         | 100                       | 11   | 160M4                    | 346  | 1034                 | 1241 | 1230 | 130 | 20  | 1190 | 400 | 340 | ø 18 | 110  | 335 | 586 | 627  | 4  | 140 | 470 | 280 | 10 | 10 |  |
| NCDS4P100-315          | 125         | 100                       | 18,5 | 180M4                    | 444  | 1044                 | 1335 | 1360 | 130 | 20  | 1320 | 400 | 340 | ø 18 | 110  | 360 | 630 | 665  | 60 | 140 | 470 | 315 | 10 | 10 |  |
| NCDS4P100-400          | 125         | 100                       | 37   | 225S4                    | 619  | 1055                 | 1467 | 1250 | 115 | 205 | 840  | 480 | 430 | ø 24 | 16   | 445 | 775 | 793  | 4  | 140 | 530 | 355 | 10 | 10 |  |
| NCDS4P125-250          | 150         | 125                       | 15   | 160L4                    | 377  | 1043                 | 1241 | 1230 | 130 | 20  | 1190 | 400 | 340 | ø 18 | 110  | 360 | 611 | 627  | 4  | 140 | 470 | 355 | 10 | 10 |  |
| NCDS4P125-315          | 150         | 125                       | 30   | 200L4                    | 561  | 1054                 | 1455 | 1250 | 115 | 205 | 840  | 480 | 430 | ø 24 | 16   | 445 | 745 | 758  | 27 | 140 | 530 | 355 | 10 | 10 |  |
| NCDS4P125-400          | 150         | 125                       | 55   | 250M4                    | 843  | 1058                 | 1554 | 1400 | 115 | 230 | 940  | 510 | 450 | ø 24 | 17,5 | 540 | 915 | 880  | 4  | 140 | 530 | 400 | 10 | 10 |  |
| NCDS4P150-315          | 200         | 150                       | 37   | 225S4                    | 623  | 1061                 | 1487 | 1250 | 115 | 205 | 840  | 480 | 430 | ø 24 | 16   | 445 | 775 | 793  | 4  | 160 | 530 | 400 | 10 | 10 |  |
| NCDS4P150-400          | 200         | 150                       | 75   | 280S4                    | 936  | 1064                 | 1714 | 1400 | 115 | 230 | 940  | 510 | 450 | ø 24 | 17,5 | 540 | 930 | 1020 | 4  | 160 | 530 | 450 | 10 | 10 |  |

BGAD = Base and coupling

\* = Indicatives values according to the type of motor installed.

BGAD = Socle et accouplement

\* = Valeurs indicatives en fonction de la marque du moteur utilisé.

BGAD = Base e giunto

\* = Valori indicativi in funzione della marca di motore utilizzato.